

RSF70 Series

Compact External Fitting via Compression Seal



- **Compression seal fitting**
- **Flying Lead or M12 plug connection**
- **Available in Nylon, Polypropylene, PPS & PVDF**
- **25VA & 100VA versions available**
- **Many variants are UL recognised components File No. E171218**
- **WRAS and NSF Approved versions available**

The RSF70 series is designed for fitting through a tank wall from the outside, where access to the inside for fitting is not possible.

Typical applications include vending machines, commercial dishwashers and auxiliary tanks on vehicles.

These are manufactured in a variety of plastics, with a choice of gasket materials, to suit most commonly used liquids.

The switch action may be reversed by mounting the device with the float able to move upwards away from the body, instead of the more normal downwards direction.

Available with either flying leads or M12 socket for electrical connection. Cable sets with M12 plugs are also available.

Technical Specification	RSF73	RSF74	RSF78	RSF76	RSF77
Material	Nylon	Polypropylene	Polypropylene	Polyphenylene Sulphide (PPS)	Polyvinylidene Fluoride (PVDF)
Colour	Black	WRAS approved Opaque	UL approved White	Grey	Green
Temp. Range °C	-20 / +75	-20 / +100	-20 / +100	-10 / +120 *	-10 / +105
°F	-4 / +167	-4 / +212	-4 / +212	+14 / +248 *	-14 / +221
Min. Fluid SG	0.85	0.85	0.80	0.85	0.85
Must close level (SG=1)	7mm	8mm	8mm	9mm	9mm
Must open level (SG=1)	20mm	20mm	20mm	24mm	24mm

* Maximum temperature requires ETFE cable to be specified.

Electrical Specification	25W (Y code)	100W (H code)
Contact Form	N/O (N/C)	N/O (N/C)
Switching Power Max	VA	25
Switching Voltage AC Max	V	240
Switching Voltage DC Max	V	120
Switching Current Max	A	0.6

All ratings are for resistive load only.

Standard Parts	Material	Max Power	Leadouts	Gasket	Approvals
RSF73H100RN	Nylon	100VA	100cm PVC 16/0.2	Nitrile	WRAS
RSF73Y100RN	Nylon	25VA	100cm PVC 16/0.2	Nitrile	WRAS
RSF73Y100RM	Nylon	25VA	100cm PVC 16/0.2	Silicone	WRAS
RSF74H100RN	Polypropylene	100VA	100cm PVC 16/0.2	Nitrile	WRAS & NSF
RSF74Y100RN	Polypropylene	25VA	100cm PVC 16/0.2	Nitrile	WRAS & NSF
RSF74Y100RM	Polypropylene	25VA	100cm PVC 16/0.2	Silicone	WRAS & NSF
RSF76H050TV	PPS	100VA	50cm ETFE 19/0.2	Viton	WRAS, UL & NSF
RSF76H100RN	PPS	100VA	100cm PVC 16/0.2	Nitrile	WRAS, UL & NSF
RSF76Y050TV	PPS	25VA	50cm ETFE 19/0.2	Viton	WRAS, UL & NSF
RSF76Y100TV	PPS	25VA	100cm ETFE 19/0.2	Viton	WRAS, UL & NSF
RSF76Y100RN	PPS	25VA	100cm PVC 16/0.2	Nitrile	WRAS, UL & NSF
RSF77Y100GN	PVDF	25VA	100cm PTFE 7/0.2	Nitrile	UL & NSF
RSF77H100GN	PVDF	100VA	100cm PTFE 7/0.2	Nitrile	UL & NSF
RSF77Y100GV	PVDF	25VA	100cm PTFE 7/0.2	Viton	UL & NSF
RSF77H100GV	PVDF	100VA	100cm PTFE 7/0.2	Viton	UL & NSF
RSF78H100RN	PP (UL)	100VA	100cm PVC 16/0.2	Nitrile	UL
RSF78Y100RN	PP (UL)	25VA	100cm PVC 16/0.2	Nitrile	UL
RSF73HNP	Nylon	100VA	M12 connection	Nitrile	WRAS
RSF73YNP	Nylon	25VA	M12 connection	Nitrile	WRAS
RSF74HNP	Polypropylene	100VA	M12 connection	Nitrile	WRAS & NSF
RSF74YNP	Polypropylene	25VA	M12 connection	Nitrile	WRAS & NSF
RSF76HNP	PPS	100VA	M12 connection	Nitrile	WRAS, UL & NSF
RSF76YNP	PPS	25VA	M12 connection	Nitrile	WRAS, UL & NSF
RSF77HNP	PVDF	100VA	M12 connection	Nitrile	UL & NSF
RSF77YNP	PVDF	25VA	M12 connection	Nitrile	UL & NSF
RSF77HVP	PVDF	100VA	M12 connection	Viton	UL & NSF
RSF77YVP	PVDF	25VA	M12 connection	Viton	UL & NSF
RSF78HNP	PP (UL)	100VA	M12 connection	Nitrile	UL
RSF78YNP	PP (UL)	25VA	M12 connection	Nitrile	UL

Custom versions can be made for particular applications. Please contact Cynergy3 with your requirements.

Cynergy3 Components Ltd.
7 Cobham Road
Ferndown Industrial Estate
Wimborne, Dorset BH21 7PE, UK
Telephone: +44 (0)1202 897969
Email: c3w_sales@sensata.com

ISO9001 CERTIFIED

cynergy3-rsf70-v3



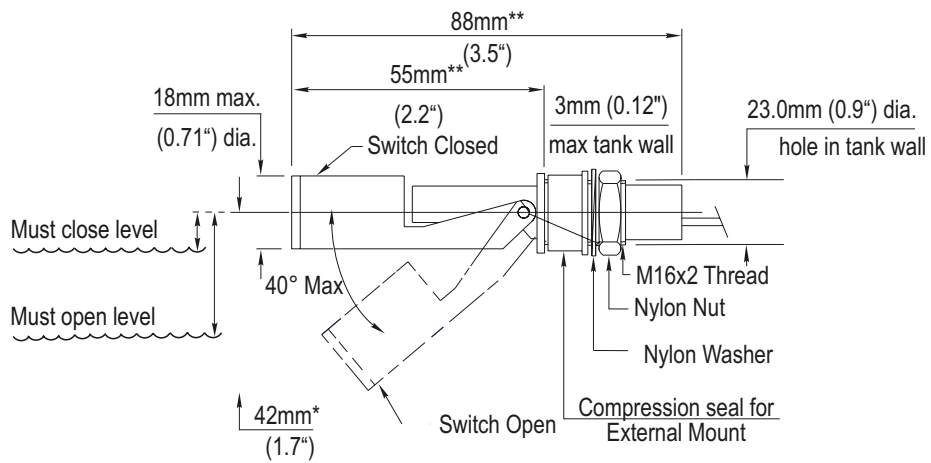
Made in the UK

www.cynergy3.com

RSF70 Series

Compact External Fitting via Compression Seal

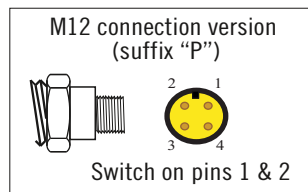
Mechanical Dimensions



* 49mm RSF76 & RSF77

** Add 10mm to dims. RSF76 & RSF77

Electrical Connections



X-ON Electronics

Largest Supplier of Electrical and Electronic Components

Click to view similar products for [Liquid Level Sensors](#) category:

Click to view products by [Sensata](#) manufacturer:

Other Similar products are found below :

[F03-16PT-1M](#) [FSH-21](#) [FSH-25](#) [FSH-34](#) [FSH-35](#) [FSV-31](#) [FSV-35](#) [RSF54H100R1/8](#) [LRNH31S41](#) [F03-16PT-10M](#) [F03-16SFC-10M](#) [F03-15-1M](#) [F03-16SF-5M](#) [F03-16PE-5M](#) [F03-16PT-5M](#) [SCN-1518SC](#) [LL103000](#) [LRNR31N01](#) [F03-16PT-2M](#) [14102](#) [MS03-PP](#) [F03-16SF-10M](#) [KSL-100-1](#) [LS01-1A66-PP-2000W](#) [LS01-1B66-PP-500W](#) [LS02-1B66-S-500W](#) [LS02-1B85-PP-5000W](#) [LS03-1A85-PP-500W](#) [LS03/DL-1A85-PA-500W](#) [EL-10N](#) [EL-3N](#) [LL01-1AA01](#) [59630-1-T-02-F](#) [SB0870](#) [LS04-1B66-2-500W](#) [LFFS 011](#) [PS-3S \(Q\)](#) [T0-SKF-0.5](#) [T0-SKF-10](#) [T0-SKF-5](#) [VNI3](#) [CLE2P](#) [VNI1](#) [LBFS 0111](#) [LFFS 014](#) [KSL-35-PP](#) [KSL-88-PP](#) [LS02-1A85-PP-500W](#) [LS02-1B85-PP-500W](#) [LS03-1A85-PA-500W](#)