

RSF80 Series

Compact External Fitting By 1/2"NPT



The RSF80 series are designed for mounting through the wall of a tank, via 1/2"NPT thread without requiring access to the inside of the tank.

Typical applications include diesel generators, hydraulic oil and gearbox oil levels.

They are manufactured in a range of plastics to suit most commonly used liquids.

The switch can be fitted to achieve either make on rise (N/O) or make on fall (N/C) action by simply rotating through 180°.

Available with either flying leads or M12 circular connector socket.

Cables are available for use with M12 connector versions.

- 1/2"NPT external mount
- Available in Nylon, Polypropylene, PPS & PVDF
- WRAS and NSF approved versions
- Many variants are UL recognised components
- File No. E171218
- Flying lead or M12 connection

Technical Specification	RSF83	RSF84	RSF88	RSF86	RSF87
Material	Nylon	Polypropylene WRAS approved	Polypropylene UL approved	Polyphenylene Sulphide (PPS)	Polyvinylidene Fluoride (PVDF)
Colour	Black	Opaque	White	Grey	Green
Temp. Range °C	-20 / +75	-20 / +100	-20 / +100	-10 / +120 *	-10 / +105
°F	-4 / +167	-4 / +212	-4 / +212	+14 / +248 *	+14 / +221
Min. Fluid SG	0.85	0.85	0.80	0.85	0.85
Must close level (SG=1)	7mm	8mm	8mm	9mm	9mm
Must open level (SG=1)	20mm	20mm	20mm	24mm	24mm

* Maximum temperature requires ETFE cable to be specified.

Electrical Specification	25W (Y code)	100W (H code)
Contact Form	N/O (N/C)	N/O (N/C)
Switching Power Max	VA	100
Switching Voltage AC Max	V	240
Switching Voltage DC Max	V	120
Switching Current Max	A	0.6

All ratings are for resistive load only.

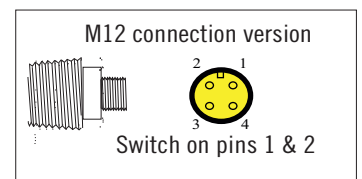
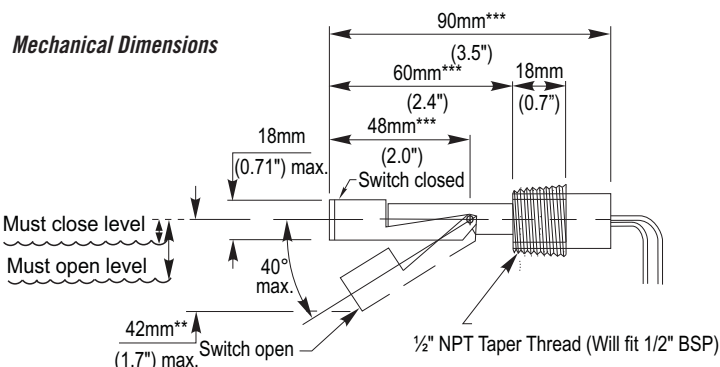
Standard Parts	Material	Max Power	Leadouts	Approvals
RSF83H100R	Nylon	100VA	100cm PVC 16/0.2	WRAS
RSF83Y100R	Nylon	25VA	100cm PVC 16/0.2	WRAS
RSF84H100R	Polypropylene	100VA	100cm PVC 16/0.2	WRAS & NSF
RSF84Y100R	Polypropylene	25VA	100cm PVC 16/0.2	WRAS & NSF
RSF86H050T	PPS	100VA	50cm ETFE 19/0.2	WRAS, UL & NSF
RSF86H100R	PPS	100VA	100cm PVC 16/0.2	WRAS, UL & NSF
RSF86Y050T	PPS	25VA	50cm ETFE 19/0.2	WRAS, UL & NSF
RSF86Y100R	PPS	25VA	100cm PVC 16/0.2	WRAS, UL & NSF
RSF87H100G	PVDF	100VA	100cm PTFE 7/0.2	UL & NSF
RSF87Y100G	PVDF	25VA	100cm PTFE 7/0.2	UL & NSF
RSF88H100R	Polypropylene UL	100VA	100cm PVC 16/0.2	UL
RSF88Y100R	Polypropylene UL	25VA	100cm PVC 16/0.2	UL
RSF83HP	Nylon	100VA	M12 connection	WRAS
RSF83YP	Nylon	25VA	M12 connection	WRAS
RSF84HP	Polypropylene	100VA	M12 connection	WRAS & NSF
RSF84YP	Polypropylene	25VA	M12 connection	WRAS & NSF
RSF86HP	PPS	100VA	M12 connection	WRAS, UL & NSF
RSF86YP	PPS	25VA	M12 connection	WRAS, UL & NSF
RSF87HP	PVDF	100VA	M12 connection	UL & NSF
RSF87YP	PVDF	25VA	M12 connection	UL & NSF
RSF88HP	Polypropylene UL	100VA	M12 connection	UL
RSF88YP	Polypropylene UL	25VA	M12 connection	UL

Custom versions can be made for particular applications. Please contact Cynergy3 with your requirements.



Made in the UK

Cynergy3 Components Ltd.
7 Cobham Road
Ferndown Industrial Estate
Wimborne, Dorset BH21 7PE
Telephone +44 (0) 1202 897969
Email:sales@cynergy3.com



ISO9001 CERTIFIED

RSF80 2017

** 49mm RSF86 & RSF87

*** Add 10mm to dims, RSF86 & RSF87

www.cynergy3.com

X-ON Electronics

Largest Supplier of Electrical and Electronic Components

Click to view similar products for [Liquid Level Sensors](#) category:

Click to view products by [Sensata](#) manufacturer:

Other Similar products are found below :

[FSH-21](#) [FSH-25](#) [FSH-34](#) [FSH-35](#) [FSV-31](#) [FSV-35](#) [RSF54H100R1/8](#) [LRNH31S41](#) [F03-16SFC-10M](#) [F03-16PE-5M](#) [F03-16PT-5M](#) [SCN-1518SC](#) [LL103000](#) [LRNR31N01](#) [F03-16PT-2M](#) [MS03-PP](#) [F03-16SF-10M](#) [KSL-100-1](#) [LS01-1A66-PP-2000W](#) [LS01-1B66-PP-500W](#) [LS02-1B66-S-500W](#) [LS02-1B85-PP-5000W](#) [LS03-1A85-PP-500W](#) [LS03/DL-1A85-PA-500W](#) [EL-10N](#) [EL-3N](#) [LL01-1AA01](#) [59630-1-T-02-F](#) [LS04-1B66-2-500W](#) [LFFS 011](#) [PS-3S \(Q\)](#) [T0-SKF-0.5](#) [T0-SKF-10](#) [T0-SKF-5](#) [VNI3](#) [CLE2P](#) [VNI1](#) [LBFS 0111](#) [LFFS 014](#) [KSL-35-PP](#) [KSL-88-PP](#) [KSL-99-1](#) [LS02-1A85-PP-500W](#) [LS02-1B85-PP-500W](#) [LS03-1A85-PA-500W](#) [MIC 1000-20](#) [700670](#) [BAF147B002-00A0](#) [DFT-110](#) [DFT-220](#)