

S8(UL) Series



The S8(UL) series is a miniature high voltage reed relay for applications where space saving is a prime consideration.

The coil pins are positioned near the centre of the relay while the contact pins are near the ends to give improved isolation between the High Voltage contacts and the low voltage coil.

*Consult factory for UL ratings

These products have been UL approved for use as per pollution degree 2 classification.
If you require further information as to how this may affect product usage, please contact c3w_sales@sensata.com

Pins 0.635mm Square ± 0.05 mm.
Pins 1 & 2 Tin over Nickel plated, on CuSn6 Phosphor Bronze.
Pins 3 & 4 Tin plated on NiFe Nickel Iron.
Case Material Nylon.
Encapsulant: Epoxy

UL Approved* Miniature High Voltage Relay

- Space saving package
- Up to 1000V switching voltage
- Isolation Voltage 7kV contact to coil
- 2.5A carry current
- Isolation Voltage across contacts 4kV or 5kV (dependant on coil voltage)



| Contact Specification | Conditions | 5V coil | 12V coil | 24V coil |
|-----------------------------|----------------------------|-------------|--------------------------------------|----------|
| Switch action | | | SPST (Form A) | |
| Material | | | Rhodium | |
| Isolation across contacts | kV DC or AC peak | 4 | 4 | 5 |
| Switching Power Max. | VA (W for V variants) | | 100 | |
| Switching Voltage Max. | V | 350dc/300ac | 1000Vdc & ac peak for V variants) | |
| Switching Current Max. | A DC or AC peak | | 1.0 | |
| Carry Current Max | A DC | | 2.5 | |
| Capacitance across contacts | pF coil to screen grounded | | 0.5 (typical) | |
| Lifetime operations | dry switching | | 10 ⁹ | |
| | 100W switching | | 10 ⁷ | |
| Contact Resistance | m Ω max | | 150 | |
| Insulation Resistance | Ω min (typical) | | 10 ¹⁰ (10 ¹³) | |

| Coil Specification | | | | |
|----------------------|-----------------|-----|-----|------|
| Must Operate Voltage | V DC | 4 | 9.6 | 19 |
| Must Release Voltage | V DC | 1 | 2 | 3 |
| Operate Time | ms diode fitted | 1 | 1 | 1 |
| Release Time | ms diode fitted | 0.5 | 0.5 | 0.5 |
| Resistance | Ω | 120 | 750 | 1550 |

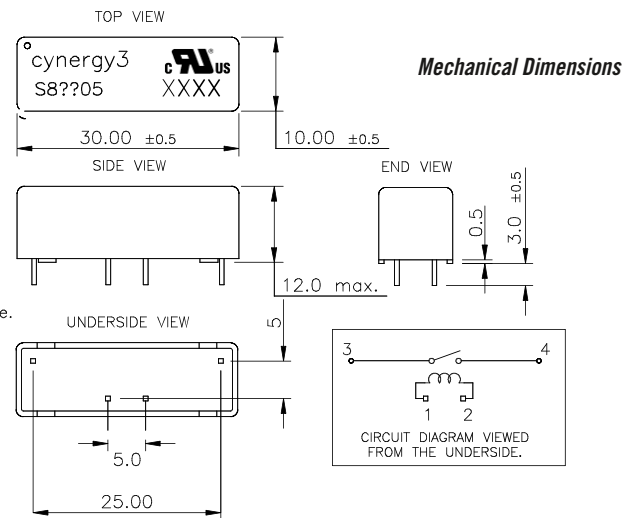
Note: The operate / release voltage and coil resistance will change at a rate of 0.4% per degree C. Values are stated at room temperature (20 degrees C)

| Relay Specification | | | | |
|--|------------------------|--|-----|--|
| Isolation contact/coil | kV | | 7 | |
| Insulation resistance contact to all terminals | Ω min (typical) | | TBC | |

| Environmental | | | | |
|----------------------|--------------|--|-------------|--|
| Operating Temp range | $^{\circ}$ C | | -40 to +85 | |
| Storage Temp range | $^{\circ}$ C | | -40 to +125 | |

| Standard Parts | Coil Volts Vdc | Isolation across contacts kV | Max. Switching Voltage Vdc (Vac peak) |
|----------------|----------------|------------------------------|---------------------------------------|
| S8-0504U | 5 | 4 | 350 (300) |
| S8-0504VU | 5 | 4 | 1000 (1000) |
| S8-1204U | 12 | 4 | 350 (300) |
| S8-1204VU | 12 | 4 | 1000 (1000) |
| S8-2405U | 24 | 5 | 350 (300) |
| S8-2405VU | 24 | 5 | 1000 (1000) |

Custom versions can be designed for particular applications. Please contact Cynergy3 with your requirements.



Cynergy3 Components Ltd. 7 Cobham Road, Ferndown Industrial Estate, Wimborne, Dorset, BH21 7PE, United Kingdom
Telephone: +44 (0)1202 897969 Email: c3w_sales@sensata.com

ISO9001 CERTIFIED

cynergy3-s8-ul-v2



Made in the UK

www.cynergy3.com

X-ON Electronics

Largest Supplier of Electrical and Electronic Components

Click to view similar products for [Reed Relays](#) category:

Click to view products by [Sensata](#) manufacturer:

Other Similar products are found below :

[M2C24AH](#) [D1A05HD-3](#) [741A10](#) [8000-0211](#) [8000-0217](#) [836C2](#) [922A06C4C](#) [PRMA1A12C](#) [PRMA1A24B](#) [PRMA1A24C](#) [PRMA1B12C](#)
[PRMA1B24C](#) [PRMA1C05F](#) [PRMA2A24C](#) [R1C5DR](#) [R2A5D](#) [1220-0039](#) [RA30521051](#) [RA31232051](#) [HGS1005](#) [HGS1021](#) [HGS1048](#)
[HGS1088](#) [HGS2MT51111F00](#) [HGS2MT51111M00](#) [HGZM1C24](#) [HGZM2C05](#) [HGZM2C48](#) [DA1A24DWD](#) [DA1A-24V](#) [DA1C05FWD](#)
[DA1C12FW](#) [DA2A-6V](#) [134MPCX-3](#) [MRR1ADS8-24D](#) [MRR1ADS8-5D](#) [MRR1ADSK-12D](#) [159-151-T00](#) [MSS62A05](#) [MSS71A05](#)
[MSS71A05B](#) [MSS71A12](#) [MSS71A24](#) [1804-105](#) [191TE1C2M-5S](#) [191TE2A1-5G](#) [191TE2A1-6G](#) [193RE4C3-24G](#) [HYR2001-1520](#)
[195TE1B2E-5S](#)