

SSF211 Series

Compact internal fitting



- **Internal fitting via 1/8" BSP thread**
- **Stainless steel 316 float**
- **Compact switch design**
- **High temperature version available (180°C)**
- **User configurable N/O (make on rise) or N/C (make on fall)**

The SSF211 is a horizontal internally mounted switch, so requires access to the inside of the tank for fitting via 1/8" BSP thread.

The stem material is SS304 and the float is SS 316. The float requires a minimum SG of 0.8.

The switch action may be reversed by mounting the device with the float able to move upwards away from the body, instead of the more normal downwards direction.

Technical Specification

Mounting style	Internal	Cable length - standard	100cm
Mounting thread	1/8" BSP	Cable size	17/0.10 - AWG22
Float & Stem material	316 & 304 grade SS	Cable conductor material	Tinned copper
Maximum Temperature	120°C (H version 180°C)	Cable sheath material	XLPE
Maximum pressure	5 bar	Cable temperature rating	125°C
Float SG	0.7	Sealing gasket	Not supplied
Minimum fluid SG	0.8	Tightening torque for fixing nut	2.0kg/cm

Electrical Specification

Contact Form		N/O (N/C)
Switching Power Max	VA	50
Switching Voltage AC Max	V	300
Switching Voltage DC Max	V	300
Switching Current Max	A	0.5

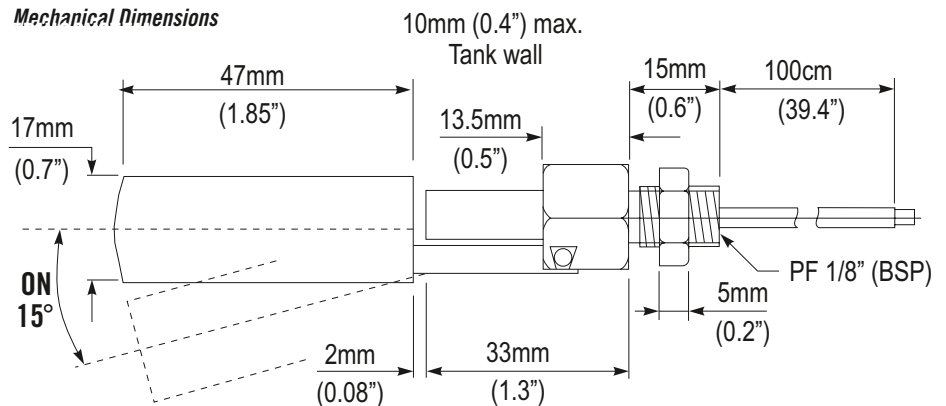
All ratings are for resistive load only.

Standard Parts

Standard Parts	Material	Max Power	Max Temp	Leadouts
SSF211X100	SS 316	50VA	120°C	100cm XLPE 17/0.1
SSF211X100H	SS 316	50VA	180°C	100cm XLPE 17/0.1

Custom versions can be made for particular applications. Please contact Cynergy3 with your requirements.

Mechanical Dimensions



X-ON Electronics

Largest Supplier of Electrical and Electronic Components

Click to view similar products for [Liquid Level Sensors](#) category:

Click to view products by [Sensata](#) manufacturer:

Other Similar products are found below :

[FSH-21](#) [FSH-25](#) [FSH-34](#) [FSH-35](#) [FSV-31](#) [FSV-35](#) [RSF54H100R1/8](#) [LRNH31S41](#) [F03-16SFC-10M](#) [F03-16PE-5M](#) [F03-16PT-5M](#) [SCN-1518SC](#) [LL103000](#) [LRNR31N01](#) [F03-16PT-2M](#) [MS03-PP](#) [F03-16SF-10M](#) [KSL-100-1](#) [LS01-1A66-PP-2000W](#) [LS01-1B66-PP-500W](#) [LS02-1B66-S-500W](#) [LS02-1B85-PP-5000W](#) [LS03-1A85-PP-500W](#) [LS03/DL-1A85-PA-500W](#) [EL-10N](#) [EL-3N](#) [LL01-1AA01](#) [59630-1-T-02-F](#) [LS04-1B66-2-500W](#) [LFFS 011](#) [PS-3S \(Q\)](#) [T0-SKF-0.5](#) [T0-SKF-10](#) [T0-SKF-5](#) [VNI3](#) [CLE2P](#) [VNI1](#) [LBFS 0111](#) [LFFS 014](#) [KSL-35-PP](#) [KSL-88-PP](#) [KSL-99-1](#) [LS02-1A85-PP-500W](#) [LS02-1B85-PP-500W](#) [LS03-1A85-PA-500W](#) [MIC 1000-20](#) [700670](#) [BAF147B002-00A0](#) [DFT-110](#) [DFT-220](#)