



# SSF67V Series

## Continuous output level transducer



- 4-20mA transducer for safe area use (optional flameproof certification)
- Maximum process temperature 100°C
- Standard 10mm stepped accuracy
- Standard G1" Screwed entry (G1" to G2.5" possible)

### Technical Specification

Mounting style	External	Connection	terminal block
Mounting thread	G1" (up to G2.5" possible)	Maximum Process Temperature	100°C
Stem material	Brass (optionally st/st)	Maximum Ambient Temperature	70°C
Float material	D300 closed cell PVC (opt. st/st)	Minimum ambient Temperature	-18°C
Enclosure material	Aluminium (opt. st/st)		

### Electrical Specification

Output 4 to 20mA	4mA can be either High or Low
Input supply	15 to 30Vdc
Can be connected to analogue or digital displays	

### Standard Parts

Upper Level	Measuring Span	Total Length
SSF67V70S500	70mm	500mm
SSF67V70S1000	70mm	1000mm
SSF67V70S1500	70mm	1500mm

This transducer will give an output of 4-20mA over a measuring span of up to 2500mm.

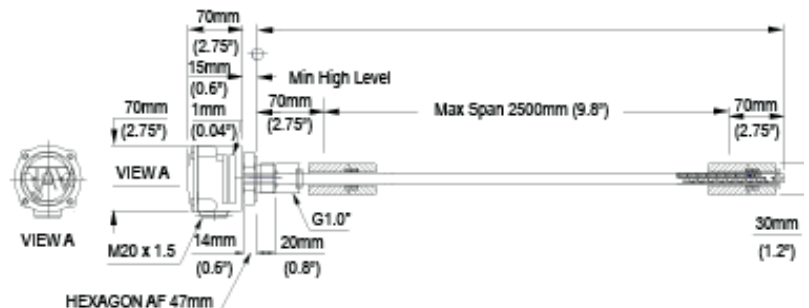
The standard output changes from 4mA at low level to 20mA at high level.

The transducer is top mounting, via a screwed entry, and is normally installed from outside the tank. The device has either a brass or stainless steel stem with either a foamed float or a stainless steel float

Volt free switches and resistors are mounted in the stem, to provide a varying resistance, as the float rises or falls, which is converted within the device into a 4 to 20mA stepped output.

Custom versions can be made for particular applications. Please contact Cynergy3 with your requirements.

All dimensions are in millimeters (inches)



Cynergy3 Components Ltd.  
7 Cobham Road  
Ferndown Industrial Estate  
Wimborne, Dorset BH21 7PE  
Telephone +44 (0) 1202 897969  
Email: sales@cynergy3.com

ISO9001 CERTIFIED

SSF67V 2016

www.cynergy3.com

## X-ON Electronics

Largest Supplier of Electrical and Electronic Components

*Click to view similar products for [Liquid Level Sensors](#) category:*

*Click to view products by [Sensata](#) manufacturer:*

Other Similar products are found below :

[FSH-21](#) [FSH-25](#) [FSH-34](#) [FSH-35](#) [FSV-31](#) [FSV-35](#) [RSF54H100R1/8](#) [LRNH31S41](#) [F03-16SFC-10M](#) [F03-16PE-5M](#) [F03-16PT-5M](#) [SCN-1518SC](#) [LL103000](#) [LRNR31N01](#) [F03-16PT-2M](#) [MS03-PP](#) [F03-16SF-10M](#) [KSL-100-1](#) [LS01-1A66-PP-2000W](#) [LS01-1B66-PP-500W](#) [LS02-1B66-S-500W](#) [LS02-1B85-PP-5000W](#) [LS03-1A85-PP-500W](#) [LS03/DL-1A85-PA-500W](#) [EL-10N](#) [EL-3N](#) [LL01-1AA01](#) [59630-1-T-02-F](#) [LS04-1B66-2-500W](#) [LFFS 011](#) [PS-3S \(Q\)](#) [T0-SKF-0.5](#) [T0-SKF-10](#) [T0-SKF-5](#) [VNI3](#) [CLE2P](#) [VNI1](#) [LBFS 0111](#) [LFFS 014](#) [KSL-35-PP](#) [KSL-88-PP](#) [KSL-99-1](#) [LS02-1A85-PP-500W](#) [LS02-1B85-PP-500W](#) [LS03-1A85-PA-500W](#) [MIC 1000-20](#) [700670](#) [BAF147B002-00A0](#) [DFT-110](#) [DFT-220](#)