

TSF70 Series

Compact External Mount with Temperature Sensing



- Compact design with temperature sensing
- Available in Nylon, Polypropylene or PPS
- 25VA & 100VA versions
- WRAS Approved versions

The TSF70 series is a compact external fitting device, with a high specification thermistor so capable of sensing both liquid level and temperature.

Mounting of this series is with the use of a compression seal, so does not require access to the inside of the tank.

Typical applications include vending machines, commercial washing machines and evaporator units.

They are manufactured in a variety of materials with a choice of gasket materials, to suit most commonly used liquids.

The switch action may be reversed by rotating the device through 180°.

Technical Specification	TSF73	TSF74	TSF78	TSF76
Material	Nylon	Polypropylene WRAS approved	Polypropylene	Polyphenylene Sulphide (PPS)
Colour	Black	Opaque	White	Grey
Temp. Range °C	-20 / +75	-20 / +100	-20 / +100	-10 / +120 *
°F	-4 / +167	-4 / +212	-4 / +212	+14 / +248 *
Min. Fluid SG	0.85	0.85	0.85	0.85
Must close level (SG=1)	7mm	8mm	8mm	9mm
Must open level (SG=1)	20mm	20mm	20mm	24mm

* Maximum temperature requires ETFE cable to be specified.

Electrical Specification	25W (Y code)	100W (H code)
Contact Form	N/O (N/C)	N/O (N/C)
Switching Power Max	VA	100
Switching Voltage AC Max	V	240
Switching Voltage DC Max	V	120
Switching Current Max	A	0.6

All ratings are for resistive load only.

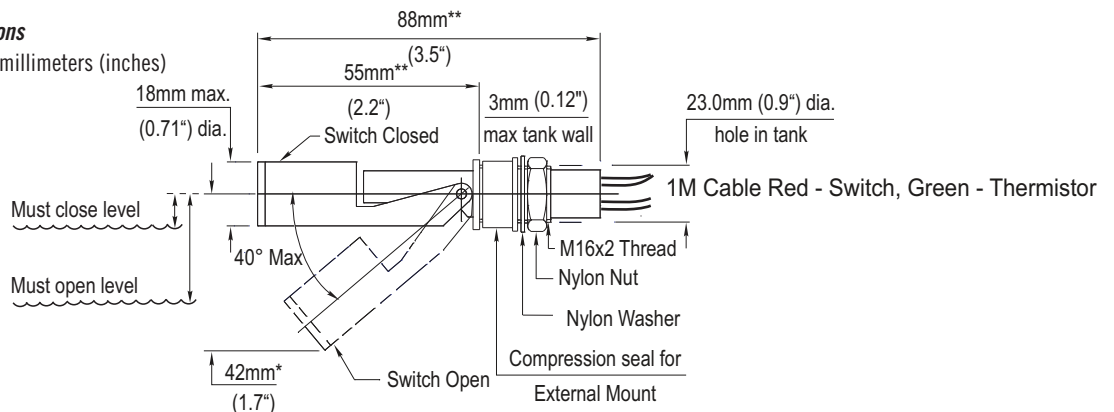
Thermistor Specification	
Nominal Temperature Resistance	10k Ohm at 25°C
Resistance Tolerance	+/- 1% (25°C) to +/- 4.3% (120°C)
Operating Temperature Range	-20°C to +120°C
Temperature Sensing Accuracy	+/-0.2°C (0°C to +70°C)
Beta Value	3892K (0/50°C)
Response Time	<1 sec
Dissipation Constant	0.75mW/K

Standard Parts	Material	Temperature	Max Power	Leadouts	Gasket	Approvals
TSF73H100DN	Nylon	-20°C to +75°C	100VA	100cm PVC 16/0.2	Nitrile	WRAS
TSF73Y100DN	Nylon	-20°C to +75°C	25VA	100cm PVC 16/0.2	Nitrile	WRAS
TSF74H100DN	PP	-20°C to +100°C	100VA	100cm PVC 16/0.2	Nitrile	WRAS
TSF74Y100DN	PP	-20°C to +100°C	25VA	100cm PVC 16/0.2	Nitrile	WRAS
TSF76H050TV	PPS	-10°C to +120°C	100VA	50cm ETFE 19/0.2	Viton	WRAS
TSF76H100DN	PPS	-10°C to +100°C	100VA	100cm PVC 16/0.2	Nitrile	WRAS
TSF76Y050TV	PPS	-10°C to +120°C	25VA	50cm ETFE 19/0.2	Viton	WRAS
TSF76Y100DN	PPS	-10°C to +105°C	25VA	100cm PVC 16/0.2	Nitrile	WRAS
TSF78H100DN	PP (UL)	-20°C to +100°C	100VA	100cm PVC 16/0.2	Nitrile	WRAS
TSF78Y100DN	PP (UL)	-20°C to +100°C	100VA	100cm PVC 16/0.2	Nitrile	WRAS

Custom versions can be made for particular applications. Please contact Cynergy3 with your requirements.

Mechanical Dimensions

All dimensions are in millimeters (inches)



Cynergy3 Components Ltd.
7 Cobham Road
Ferndown Industrial Estate
Wimborne, Dorset BH21 7PE
Telephone +44 (0) 1202 897969

Email: sales@cynergy3.com

* 49mm TSF76

** Add 10mm to dimensions TSF76

ISO9001 CERTIFIED

TSF70 2017

© 2017 Cynergy3 Components, All Rights Reserved. Specifications are subject to change without prior notice. Cynergy3 Components and the Cynergy3 Components logo are trademarks of Cynergy3 Components Limited.



www.cynergy3.com

Made in the UK

X-ON Electronics

Largest Supplier of Electrical and Electronic Components

Click to view similar products for [Liquid Level Sensors](#) category:

Click to view products by [Sensata](#) manufacturer:

Other Similar products are found below :

[FSH-21](#) [FSH-25](#) [FSH-34](#) [FSH-35](#) [FSV-31](#) [FSV-35](#) [RSF54H100R1/8](#) [LRNH31S41](#) [F03-16SFC-10M](#) [F03-16PE-5M](#) [F03-16PT-5M](#) [SCN-1518SC](#) [LL103000](#) [LRNR31N01](#) [F03-16PT-2M](#) [MS03-PP](#) [F03-16SF-10M](#) [KSL-100-1](#) [LS01-1A66-PP-2000W](#) [LS01-1B66-PP-500W](#) [LS02-1B66-S-500W](#) [LS02-1B85-PP-5000W](#) [LS03-1A85-PP-500W](#) [LS03/DL-1A85-PA-500W](#) [EL-10N](#) [EL-3N](#) [LL01-1AA01](#) [59630-1-T-02-F](#) [LS04-1B66-2-500W](#) [LFFS 011](#) [PS-3S \(Q\)](#) [T0-SKF-0.5](#) [T0-SKF-10](#) [T0-SKF-5](#) [VNI3](#) [CLE2P](#) [VNI1](#) [LBFS 0111](#) [LFFS 014](#) [KSL-35-PP](#) [KSL-88-PP](#) [KSL-99-1](#) [LS02-1A85-PP-500W](#) [LS02-1B85-PP-500W](#) [LS03-1A85-PA-500W](#) [MIC 1000-20](#) [700670](#) [BAF147B002-00A0](#) [DFT-110](#) [DFT-220](#)