

Preliminary Datasheet SFM3020 series

Analog Mass Flow Meter



Product Summary

SFM3020 is Sensirion's solution on providing high volumes of flow meters for medical ventilators in order to support the global pandemic situation due to the Corona virus outbreak. It relies on a modular approach of assembling approved parts with good availability to Sensirion and a high-volume through-put manufacturing.

The housing geometry is based on the SFM3000 flow meter, hence it remains mechanically compatible to the SFM3000.

A flow range from -10slm to +160slm and one directional flow supports high flow applications while still allowing to detect back flows. To minimize pressure-drop the SFM3020 is equipped with one mesh at the inlet.

Disclaimer: The product is not fully qualified but the risk is deemed low as the processes and materials are already used in other products currently in production.

Benefits of Sensirion's CMOSens® Technology

- Scalability
- High reliability and long-term stability
- Best signal-to-noise ratio
- Industry-proven technology with a track record of more than 15 years
- Designed for mass production
- High process capability

Contents

1. Ordering Information.....	2
2. Specifications	2
3. Pin Assignment.....	4
4. Package Outline	6
5. Revision History.....	6
6. Important Notices.....	7

1. Ordering Information

Use the part names and order number shown in the following table when ordering the SFM3020. For the latest product information and local distributors, visit www.sensirion.com.

Part name	Description	Order number
SFM3020-160-C	-10 to 160slm range, with cap	3.000.401

2. Specifications

2.1. Flow Specification¹

Parameter	Condition	SFM3020		Units
Measurement range ²		Air/O ₂ : -10 to 160		slm ³
		Max.	Typ.	
Accuracy ^{4,5}	span(0..160slm)	±3%	±2%	m.v. ⁶
	span(-10...0slm)	±5%	±3%	m.v.
	zero point	0.15 (max.)	0.05 (typ.)	slm
Repeatability ⁵	span	1%		m.v.
	zero point	0.05		slm
Noise Level ⁵	span	+1%	0.5%	m.v.
	zero point	0.06		slm
Span shift due to temperature variation		< 0.5% of reading per 10°C		
Flow step response time (τ ₆₃)		< 5ms		
Calibrated for		Air		
Compensation formula		O ₂		
Media compatibility		Air, N ₂ , O ₂ , non-condensing		
Pressure Drop @60slm @200slm		One mesh version <80 / 0.32 <500 / 2.0		Pa / inH ₂ O

¹ Unless otherwise noted, all sensor specifications are valid at 25°C with VDD = 5 V and absolute pressure = 966 mbar.

² For other ranges contact Sensirion

³ In standard liter per minute at 20°C and 1013 mbar

⁴ Output voltage integral non linearity is not included. Note that the effect can add up to ±0.2125slm @ 5V V_{dd} on the flow value.

⁵Span or offset value, whichever is larger

⁶Measured value

2.2. Electrical Specifications

Parameter	Symbol	Condition	Min.	Typ.	Max	Units	Comments
Supply Voltage	V _{DD}			5		V	Recommended: 5V +/- 5%
Power-up/down level	V _{POR}		2.3	2.5	2.7	V	
Supply current	I _{DD}	Measuring			5.5	mA	
Ratiometric analog output							
Output range			10%		90%	V _{DD}	
Resistive load to GND			10 ¹	100		kOhm	
Resistive load to VDD			1000			kOhm	
Capacitive load	C _{load}				100	nF	
Output voltage Integral Non Linearity (INL)					5	mV	
Output voltage noise (RMS)				0.5		mV	

2.3. Timing Specifications

Parameter	Symbol	Min.	Typ.	Max.	Units	Comments
Power-up time	t _{PU}			30	ms	Time to first reliable measurement

2.4. Mechanical Specifications

Parameter	Symbol	Min.	Typ.	Max.	Units	Condition/Comment
Operating pressure range		0.7		1.3	bar	absolute
Allowable overpressure	P _{max}	-0.2		0.2	bar	gauge
Rated burst pressure	P _{burst}			>1	bar	gauge
Weight	W			10	g	

2.5. Materials

Parameter	
Wetted materials	PPE+PS blend, Si, glass (Si ₃ N ₄ , SiO _x), gold, FR4, copper alloy, lead-free solder, epoxy, polyurethane, stainless steel (annealed)
REACH, RoHS	REACH and RoHS compliant

¹ For a resistive load to GND less than 100kOhm, a 1nF capacitor to GND on the AOUT is recommended

2.6. Absolute Minimum and Maximum Ratings

Parameter	Rating	Units
Supply Voltage V_{DD}	-0.3 to 5.5	V
Max Voltage on pins (Inputs)	-0.3 to $V_{DD}+0.3$	V
Input current on any pin	± 70	mA
Operating temperature range ¹	0 to +60	°C
Storage temperature range	-20 to +70	°C
Max. humidity for long term exposure	40°C dew point	
ESD HBM (human body model)	2	kV

3. Pin Assignment

The pin assignments of the SFM3020 series can be found in Table 1. The cap of the SFM3020 is compatible with DuraClik™ Wire-to-Board Receptacle Housing, Single Row, 4 Circuits. (Molex product number: 502351-0400).

Pin no.	Name	Description	analog:
1	NC	Do not Connect	
2	VDD	V_{dd} Supply	
3	GND	Connect to ground	
4	Aout	Linear analog voltage output	

Table 1: SFM3020 series pin assignment.

¹ For Air and N_2 . Long term exposure to (high concentrations of) O_2 at high temperatures can reduce the product lifetime

3.1. Measurement Mode

Description	Conversion to physical values AOut[V], VDD[V], Standard Liter per Minute (Flow) [slm]	
<p>Analog output is configured as a linear output. The sensor is not fully bi-directional in this configuration: -10% full-scale to 100% full scale.</p>	160slm	$Flow = 212.5 * \left(\frac{Aout}{VDD} - 0.1 \right) - 10$

3.2. AOut Pin

The AOut pin gives out an analog linear voltage, representing the flow value in standard liter per minute slm. Please note the resistive and capacitive loads as mentioned in section 2.2. Formulas for converting AOut [V] to flow [slm] can be found in section 3.1

3.3. Correction Formula for Oxygen Flow Measurement

Description of the correction formula for measuring oxygen flow with the SFM3020

$Q_{O_2}^{SFM}$ Flow indicated by air calibrated SFM3020 in slm when O₂ is flowing through SFM

Q_{O_2} Real flow O₂ in slm

ΔQ Correction Factor

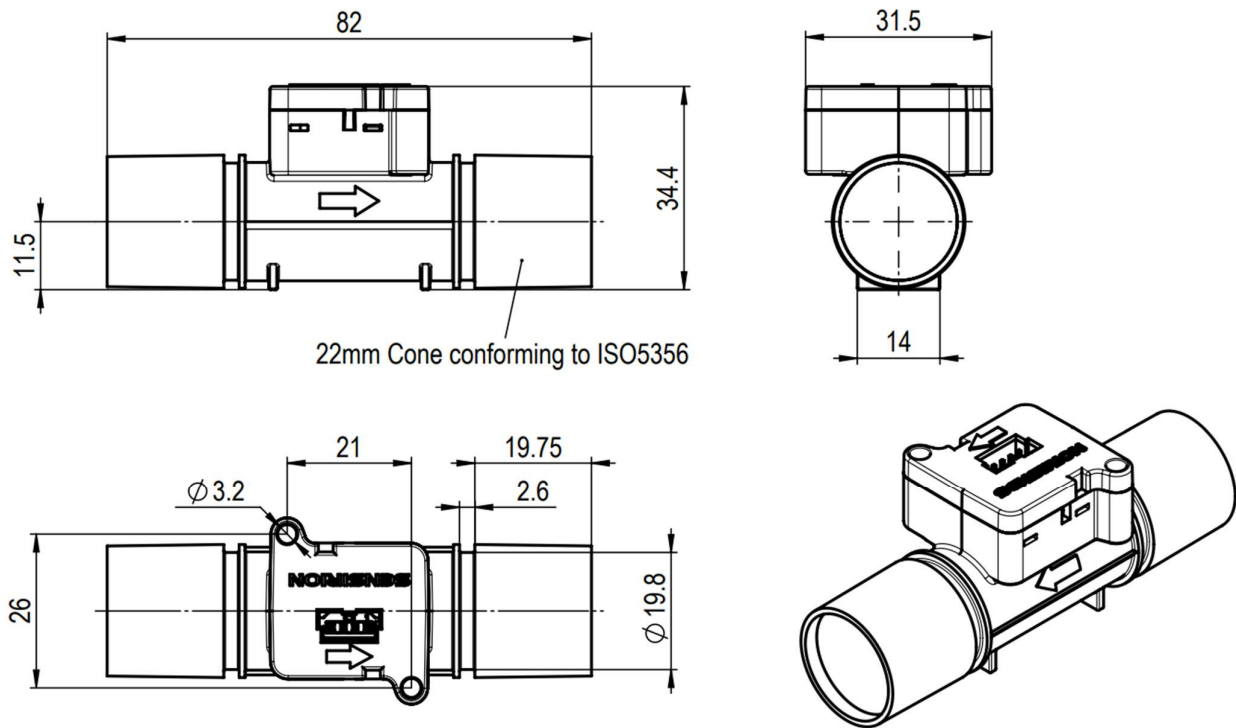
$$Q_{O_2} = Q_{O_2}^{SFM} - \Delta Q$$

$$\Delta Q = 7 * 10^{-5} \times (Q_{O_2}^{SFM})^2 + 0.0144 \times Q_{O_2}^{SFM}$$

When a correction for FiO₂ other than 100% is needed, the correction ΔQ can be scaled proportional to the FiO₂. I.e. The correction formula for arbitrary FiO₂ is

$$Q_{O_2} = Q_{O_2}^{SFM} - \frac{FiO_2 - 21\%}{79\%} \times \Delta Q$$

4. Package Outline¹



4.1. Soldering

Standard wave soldering systems may be used for soldering SFMxxx sensors. Reflow soldering is not feasible and may damage the sensor. Contact Sensirion for further information.

6 Shipping Package

20 item/tray

5. Revision History

Date	Author	Version	Changes
19.03.2020	JGOE	V0.1	First draft, mostly based on SDP8xx analog and SFM3019
20.03.2020	JGOE	V0.2	Pin Layout updated to analog, Aout curve and equation added
01.04.2020	JGOE	V0.3	O2 Compensation curve, New Picture and drawings
03.04.2020	JGOE	V0.4	Updated Flow Specifications, Corrected Pin Layout

¹ To allow for a further capacity increase within the next months Sensirion recommends to plan an additional 6mm free space over the sensor cover. This will not affect the behavior of the sensor. Please contact Sensirion for further information.

6. Important Notices

Warning, personal injury

Do not use this product as safety or emergency stop devices or in any other application where failure of the product could result in personal injury (including death). Do not use this product for applications other than its intended and authorized use. Before installing, handling, using or servicing this product, please consult the datasheet and application notes. Failure to comply with these instructions could result in death or serious injury.

If the Buyer shall purchase or use SENSIRION products for any unintended or unauthorized application, Buyer shall defend, indemnify and hold harmless SENSIRION and its officers, employees, subsidiaries, affiliates and distributors against all claims, costs, damages and expenses, and reasonable attorney fees arising out of, directly or indirectly, any claim of personal injury or death associated with such unintended or unauthorized use, even if SENSIRION shall be allegedly negligent with respect to the design or the manufacture of the product.

ESD Precautions

The inherent design of this component causes it to be sensitive to electrostatic discharge (ESD). To prevent ESD-induced damage and/or degradation, take customary and statutory ESD precautions when handling this product.

See application note "Handling Instructions" for more information.

Warranty

SENSIRION warrants solely to the original purchaser of this product for a period of 12 months (one year) from the date of delivery that this product shall be of the quality, material and workmanship defined in SENSIRION's published specifications of the product. Within such period, if proven to be defective, SENSIRION shall repair and/or replace this product, in SENSIRION's discretion, free of charge to the Buyer, provided that notice in writing describing the defects shall be given to SENSIRION within fourteen (14) days after their appearance;

- such defects shall be found, to SENSIRION's reasonable satisfaction, to have arisen from SENSIRION's faulty design, material, or workmanship; □ the defective product shall be returned to SENSIRION's factory at the Buyer's expense; and
- the warranty period for any repaired or replaced product shall be limited to the unexpired portion of the original period.

This warranty does not apply to any equipment which has not been installed and used within the specifications recommended by SENSIRION for the intended and proper use of the equipment. EXCEPT FOR THE WARRANTIES EXPRESSLY SET FORTH HEREIN, SENSIRION MAKES NO WARRANTIES, EITHER EXPRESS OR IMPLIED, WITH RESPECT TO THE PRODUCT. ANY AND ALL WARRANTIES, INCLUDING WITHOUT LIMITATION, WARRANTIES OF MERCHANTABILITY OR FITNESS FOR A PARTICULAR PURPOSE, ARE EXPRESSLY EXCLUDED AND DECLINED.

SENSIRION is only liable for defects of this product arising under the conditions of operation provided for in the datasheet and proper use of the goods. SENSIRION explicitly disclaims all warranties, express or implied, for any period during which the goods are operated or stored not in accordance with the technical specifications.

SENSIRION does not assume any liability arising out of any application or use of any product or circuit and specifically disclaims any and all liability, including without limitation consequential or incidental damages. All operating parameters, including without limitation recommended parameters, must be validated for each customer's applications by customer's technical experts. Recommended parameters can and do vary in different applications.

SENSIRION reserves the right, without further notice, (i) to change the product specifications and/or the information in this document and (ii) to improve reliability, functions and design of this product.

Copyright © 2020, SENSIRION.
CMOSens® is a trademark of Sensirion
All rights reserved

Headquarters and Subsidiaries

Sensirion AG

Laubisruetistr. 50
CH-8712 Staefa ZH
Switzerland

phone: +41 44 306 40 00
fax: +41 44 306 40 30
info@sensirion.com
www.sensirion.com

Sensirion Taiwan Co. Ltd

phone: +886 3 5506701
info@sensirion.com
www.sensirion.com

Sensirion Inc., USA

phone: +1 312 690 5858
info-us@sensirion.com
www.sensirion.com

Sensirion Japan Co. Ltd.

phone: +81 3 3444 4940
info-jp@sensirion.com
www.sensirion.co.jp

Sensirion Korea Co. Ltd.

phone: +82 31 337
7700~3
info-kr@sensirion.com
www.sensirion.co.kr

Sensirion China Co. Ltd.

phone: +86 755 8252
1501
info-cn@sensirion.com
www.sensirion.com.cn

To find your local representative, please visit
www.sensirion.com/distributors

X-ON Electronics

Largest Supplier of Electrical and Electronic Components

Click to view similar products for [Environmental Test Equipment](#) category:

Click to view products by [Sensirion](#) manufacturer:

Other Similar products are found below :

[CW40](#) [F150C10E3DRT](#) [F150LTC20](#) [F150CD10E2](#) [F150L75](#) [F150LRS](#) [S-11](#) [FLUKE-LDG](#) [382153](#) [FM100](#) [RH210](#) [382253](#) [MO290-P](#)
[GEO-CABLE-REEL-50M](#) [T197914](#) [RD300-L](#) [IR11BD](#) [IR11GM](#) [IR12GM](#) [IR21BD](#) [IR31CE](#) [IR32BC](#) [IR33BC](#) [MP7217TC](#) [NGM-1](#) [SGX-](#)
[7NH3](#) [UT381](#) [F150-SLC50](#) [AW-CO-1000](#) [AW-NmHc-100](#) [3.000.401](#) [AX-7535](#) [CS-9S6SS-A](#) [P 2800 A](#) [P 2801](#) [P 2802](#) [P 5039](#) [P 5130](#) [P](#)
[5055](#) [P 5060](#) [P 5065](#) [P 5086](#) [P 5090](#) [P 5110](#) [P 5115](#) [P 5135](#) [P 5140](#) [P 5145](#) [P 5150](#) [P 5160](#)