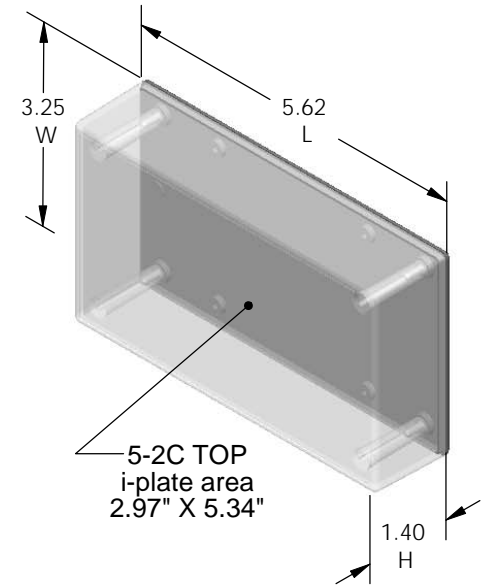


SERPAC 052C (3D exploded)

Electronic Enclosures

- Click on image to show toolbar. Use ▶ || to Play/Pause Animation*.
- Left click and drag on image to move 3D model.



3D model options:

- Zoom in & out with center wheel.
 - Pause at any moment to view and or print views.
 - Change the views to ortho and section views if needed from the Views pull down menu.
 - Explore options included in the tool bar like: Views, Transparency of model, Lighting type, etc.
- * To have full interaction with the PDF files, please use free Adobe Reader 9 or newer version.

Notes: Enclosure weight .25 lbs / 112 gm

- 1) Enclosure meets or exceeds IP40 and NEMA 1
- 2) Circuit Board drawings can be download at:

<http://www.serpac.com/Accessories/CircuitBoard/drawings/350-450-cbg.pdf>

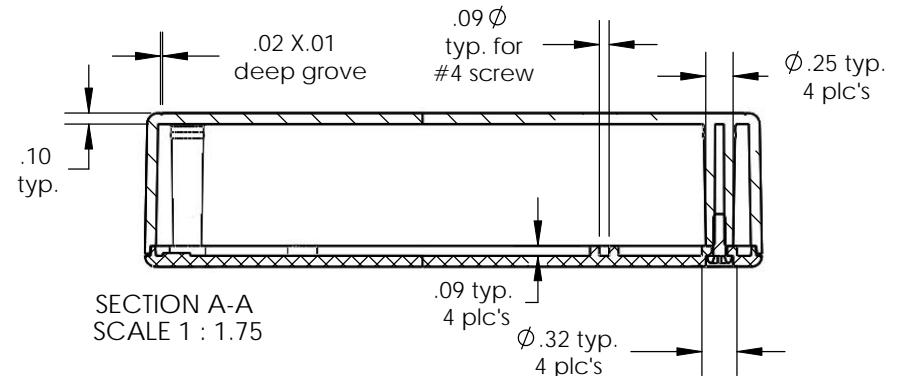
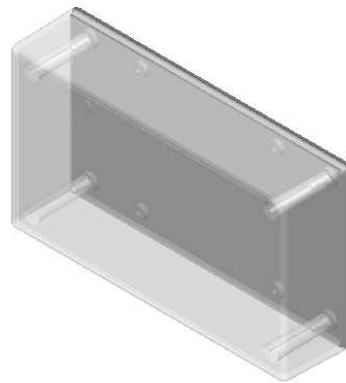
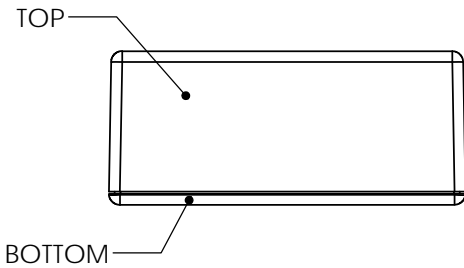
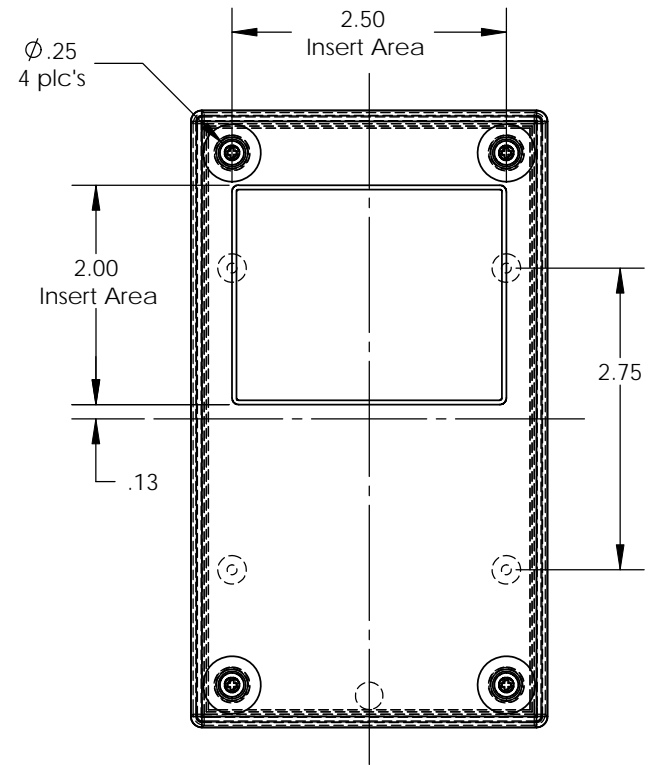
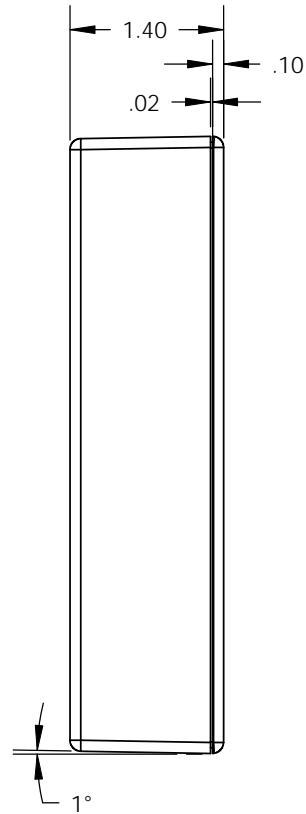
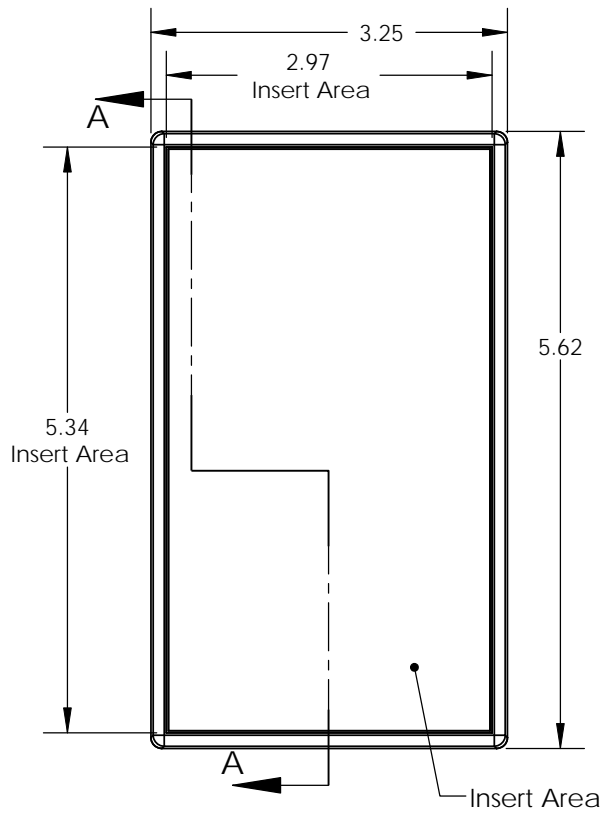
- 3) All components are RoHS Compliant.

ALL DIMENSIONS ARE ±.010" 5/20/10 (1 of 2)
2009 Wright Ave. La Verne, CA 91750
 Ph. (626) 331-0517 Fx. (626) 331-8584 serpac.com

PART NO.	DESCRIPTION (Included)	ACCESSORIES (Optional) More available; see website	
5-2C	TOP (Clear Polycarbonate)	PART NO.	DESCRIPTION
05	BOTTOM	51	Non-skid Feet
6005	#4X3/8" Self tapping (4)	350	Prototype grid board
		450	Prototype clad board
		6013	Screw for circuit board

SERPAC 052C (user print)

Electronic Enclosures



PART NO.	DESCRIPTION (Included)	ACCESSORIES (Optional) More available; see website	
		PART NO.	DESCRIPTION
5-2C	TOP (Clear Polycarbonate)		
05	BOTTOM	51	Non-skid Feet
6005	#4X3/8" self tapping (4)	350	Prototype grid board
		450	Prototype clad board
		6013	Screw for circuit board

- Notes: Enclosure weight .25 lbs / 112 gm
 1) Enclosure meets or exceeds IP40 and NEMA 1
 2) Circuit Board drawings can be download at:
<http://www.serpac.com/Accessories/CircuitBoard/drawings/350-450-cbg.pdf>
 3) All components are RoHS Compliant.

X-ON Electronics

Largest Supplier of Electrical and Electronic Components

Click to view similar products for [Enclosures, Boxes & Cases](#) category:

Click to view products by [SERPAC](#) manufacturer:

Other Similar products are found below :

[585-R-WH-PK](#) [M-10-PLATED](#) [60221-01](#) [60566-01-000](#) [HPL-9VB BATT DOOR](#) [M18-PLTD](#) [M-21-PLATED](#) [63310-01-000](#) [6711GSKT](#)
[71884-29-028](#) [LH45-100 Black](#) [72868-510-000](#) [CNS-0000 Black](#) [72883-510-000](#) [CNS-0101 Black](#) [72906-510-000](#) [CNS-0407 Black](#) [73092-](#)
[510-000](#) [CNM-0101 Black](#) [73108-510-000](#) [CNL-0303 Black](#) [73395-510-039](#) [CNS-0006 Bone](#) [74257-510-000](#) [CNL-0004](#) [MDC-1183-PLAIN-](#)
[ALUM](#) [MDC-1183-PTD](#) [MDC-13104-PTD](#) [MDC-321-PTD](#) [MDC-973-PTD](#) [76](#) [77153-01-028](#) [FLX6030](#) [83535-01-508](#) [90026-501-000](#)
[PS36-200](#) [116-508](#) [120-407](#) [120-910](#) [127-908](#) [130-008](#) [1301170079](#) [1322GSKTEP](#) [1325GSKT3](#) [1434-1210](#) [EAS-500 \(BLACK ANO\)](#)
[1804RP-RB-PK](#) [190-005](#) [2202307](#) [KAB3321 BLACK](#) [KAB3421](#) [2697466](#) [S52213](#) [2901123](#) [2901699](#) [A0645271](#) [A20P20](#) [2106-IR](#) [PERF-](#)
[850-PLN](#) [PG-1176](#)