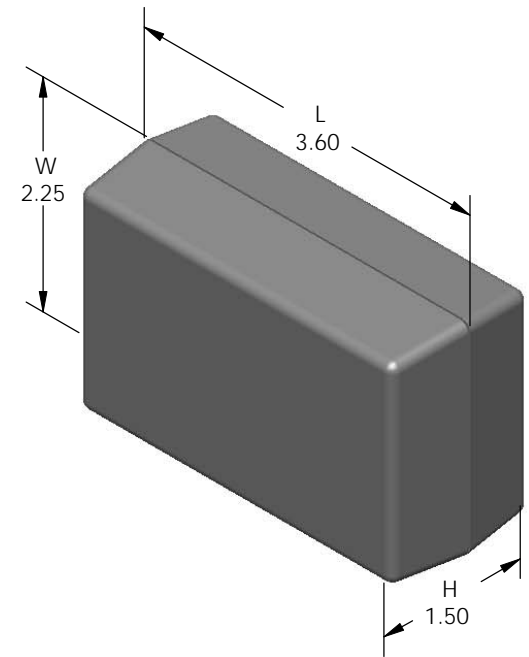


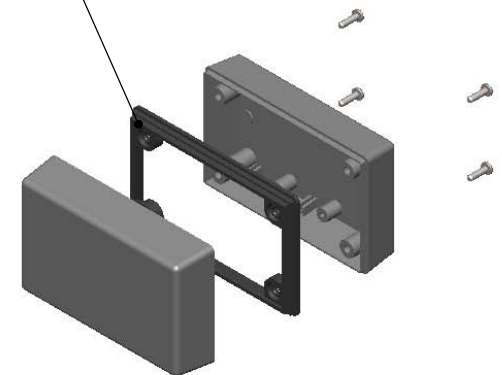
SERPAC 111 (exploded isometric)

Electronic Enclosures

- Click on image to show toolbar. Use ▶ || to Play/Pause Animation.
- Left click and drag on image to move 3D model.



Water proofing gasket
PS11 optional.
see note #2



3D model options:

- Zoom in & out with center wheel.
- Pause at any moment to view and or print views.
- Change the views to ortho and section views if needed from the Views pull down menu.
- Explore options included in the tool bar like: Views, Transparency of model, Lighting type, etc.

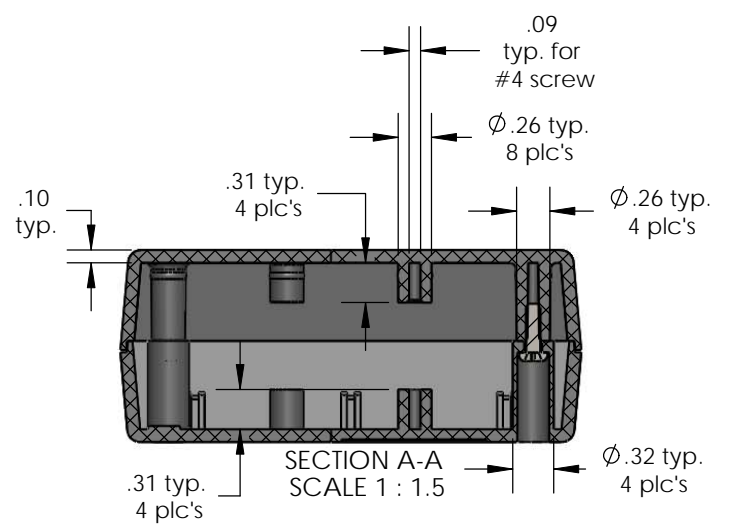
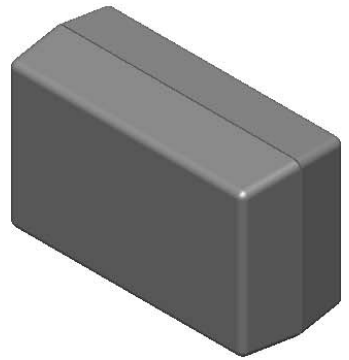
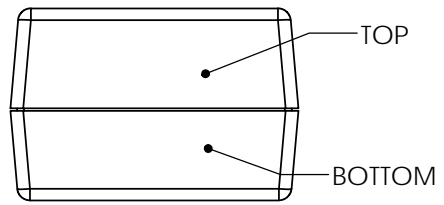
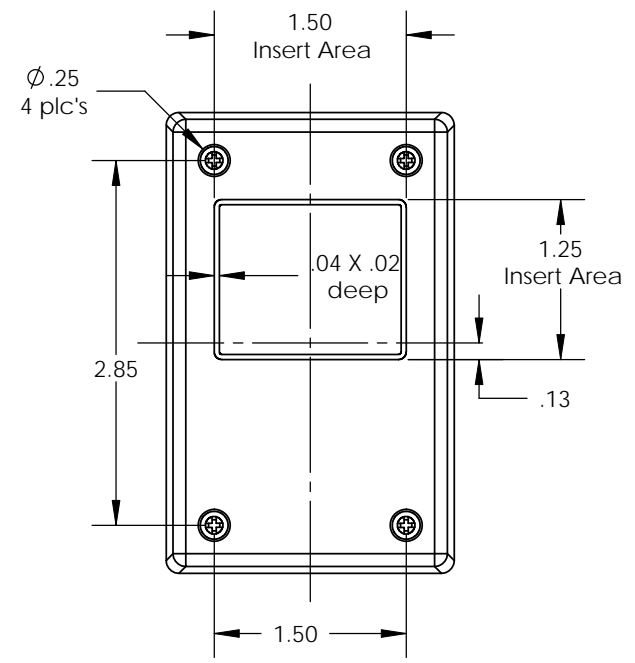
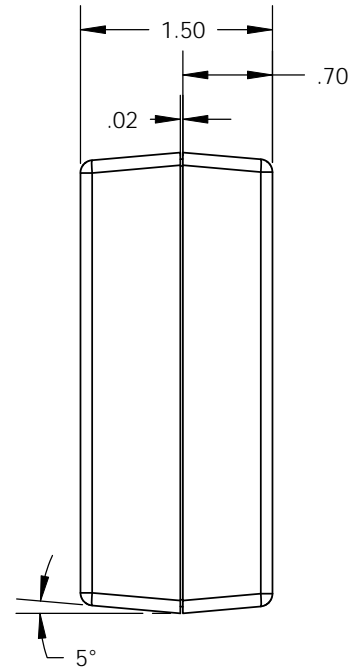
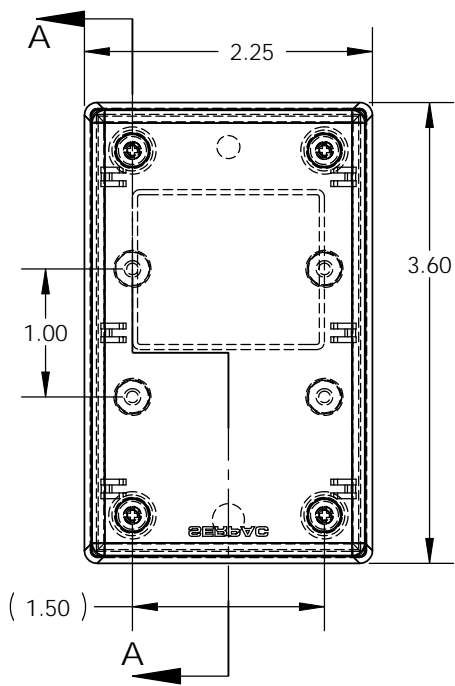
PART NO.	DESCRIPTION (Included)	ACCESSORIES (Optional)	
PART NO.	DESCRIPTION	PART NO.	DESCRIPTION
1-1	TOP		
11	BOTTOM	50	Non-skid Feet
6005	#4X3/8" Self tapping (4)	PS11	Perimeter Seal
		310	Prototype grid board
		410	Prototype clad board

- Notes: Enclosure weight .13 lbs / 58 gm
- 1) Enclosure meets or exceeds IP40 and NEMA 1
 - 2) When used with PS11 the enclosure meets or exceeds IP 67 and NEMA 4X, 12 and 13 MIL-STD-810G 506.5
 - 3) Circuit Board drawings can be download at:
<http://www.serpac.com/Accessories/CircuitBoard/drawings/310-410.pdf>
 - 4) All components are RoHS Compliant.

ALL DIMENSIONS ARE ± .010" 3/18/10 (1 of 2)
619 Commercial Ave. Covina, CA 91723
 Ph. (626) 331-0517 Fx. (626) 331-8584 serpac.com

SERPAC 111 (user print)

Electronic Enclosures



PART NO.	DESCRIPTION (Included)	ACCESSORIES (Optional)	
1-1	TOP	PART NO.	DESCRIPTION
11	BOTTOM	50	Non-skid Feet
6005	#4X3/8" self tapping (4)	PS11	Perimeter Seal
		310	Prototype grid board
		410	Prototype clad board

Notes: Enclosure weight .13 lbs / 58 gm
 1) Enclosure meets or exceeds IP40 and NEMA 1
 2) When used with PS11 the enclosure meets or exceeds IP 67 and NEMA 4X, 12 and 13 MIL-STD-810G 506.5
 3) Circuit Board drawings can be download at:
<http://www.serpac.com/Accessories/CircuitBoard/drawings/310-410.pdf>
 4) All components are RoHS Compliant.

ALL DIMENSIONS ARE ± .010" 3/18/10 (2 of 2)
619 Commercial Ave. Covina, CA 91723
 Ph. (626) 331-0517 Fx. (626) 331-8584 www.serpac.com

X-ON Electronics

Largest Supplier of Electrical and Electronic Components

Click to view similar products for [Enclosures, Boxes & Cases](#) category:

Click to view products by [SERPAC](#) manufacturer:

Other Similar products are found below :

[585-R-WH-PK](#) [M-10-PLATED](#) [60221-01](#) [60566-01-000](#) [HPL-9VB BATT DOOR](#) [M18-PLTD](#) [M-21-PLATED](#) [63310-01-000](#) [6711GSKT](#)
[71884-29-028](#) [LH45-100 Black](#) [72868-510-000](#) [CNS-0000 Black](#) [72883-510-000](#) [CNS-0101 Black](#) [72906-510-000](#) [CNS-0407 Black](#) [73092-](#)
[510-000](#) [CNM-0101 Black](#) [73105-510-000](#) [CNL-0101 Black](#) [73108-510-000](#) [CNL-0303 Black](#) [73395-510-039](#) [CNS-0006 Bone](#) [74257-510-000](#)
[CNL-0004](#) [MDC-1183-PLAIN-ALUM](#) [MDC-1183-PTD](#) [MDC-13104-PTD](#) [MDC-321-PTD](#) [MDC-973-PTD](#) [76](#) [77153-01-028](#) [FLX6030](#)
[83535-01-508](#) [90026-501-000](#) [PS36-200](#) [116-508](#) [120-407](#) [120-910](#) [127-908](#) [130-008](#) [1301170079](#) [1322GSKTEP](#) [1325GSKT3](#) [1434-1210](#)
[EAS-500 \(BLACK ANO\)](#) [1804RP-RB-PK](#) [190-005](#) [2202307](#) [KAB3321 BLACK](#) [KAB3421](#) [2697466](#) [S52213](#) [2901123](#) [2901699](#) [A0645271](#)
[A20P20](#) [2106-IR](#) [PERF-850-PLN](#)