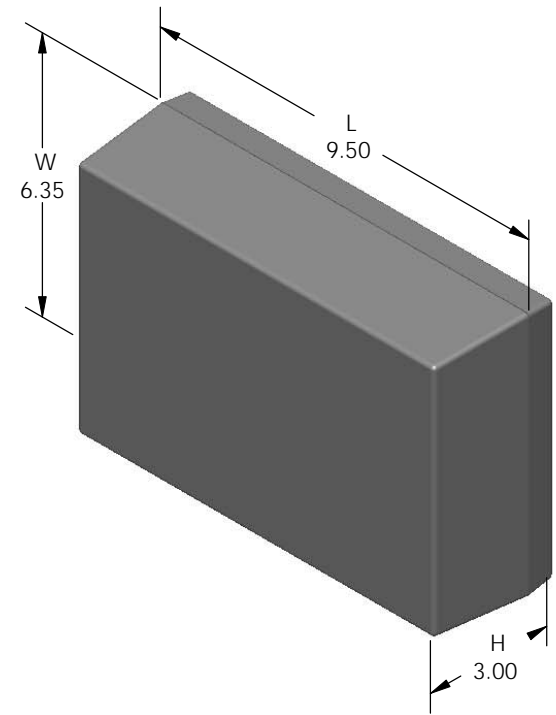


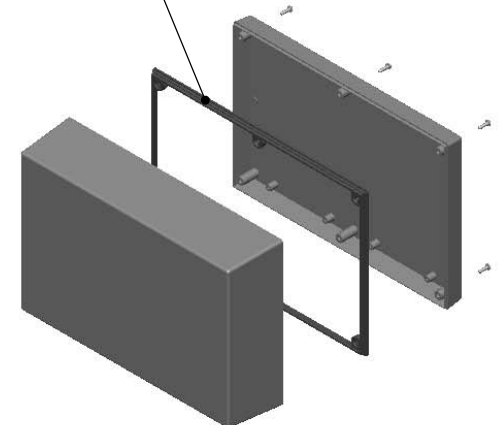
SERPAC 194 (exploded isometric)

Electronic Enclosures

- Click on image to show toolbar. Use ▶|| to Play/Pause Animation.
- Left click and drag on image to move 3D model.



Water proofing gasket
PS19 optional.
see note #2



3D model options:

- Zoom in & out with center wheel.
- Pause at any moment to view and or print views.
- Change the views to ortho and section views if needed from the Views pull down menu.
- Explore options included in the tool bar like: Views, Transparency of model, Lighting type, etc.

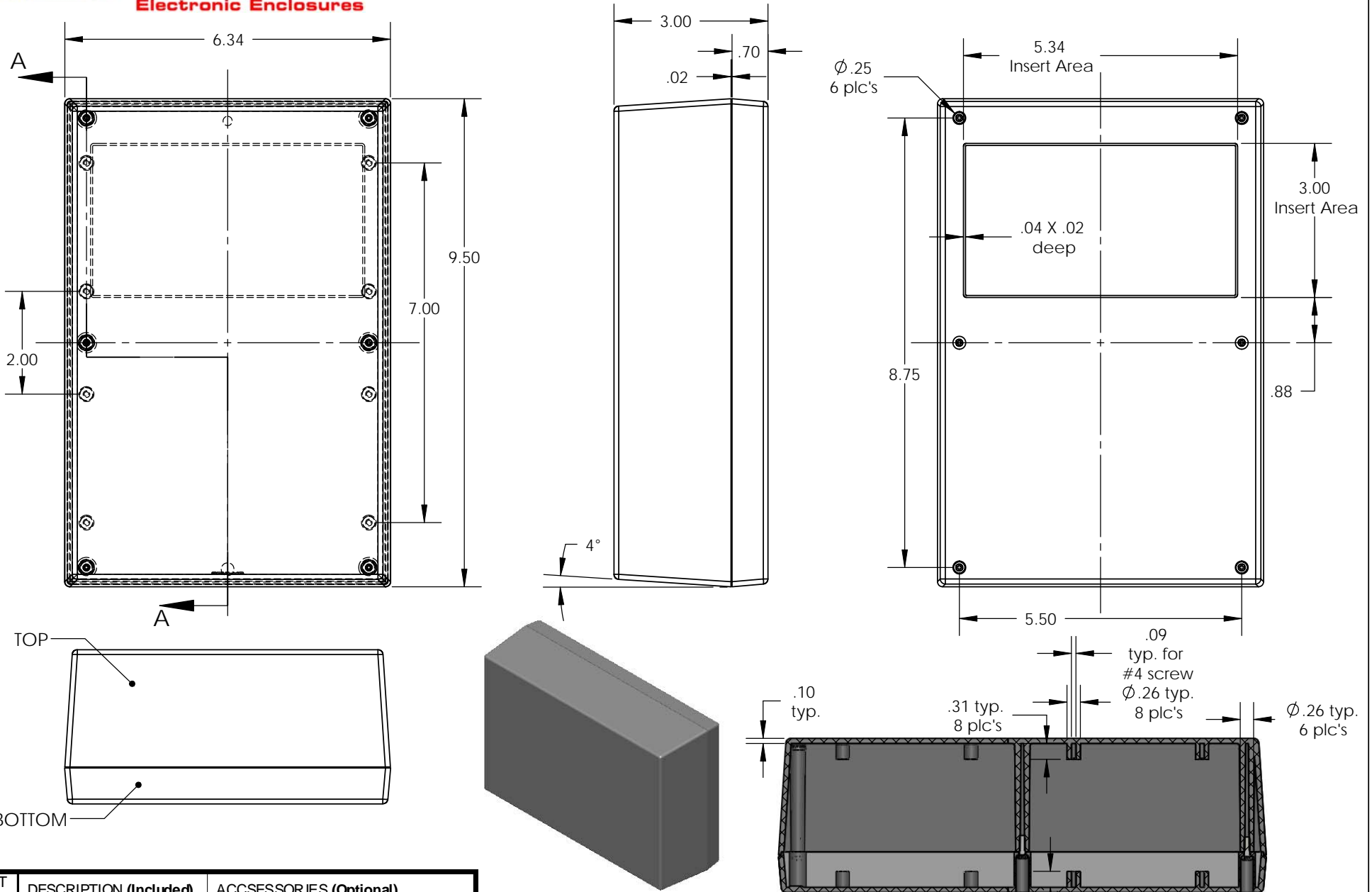
PART NO.	DESCRIPTION (Included)	ACCESSORIES (Optional)	
9-4	TOP	PART NO.	DESCRIPTION
19	BOTTOM	50	Non-skid Feet
6005	#4X3/8" Self tapping (6)	PS19	Perimeter Seal

Notes: Enclosure weight .76 lbs / 347 gm
 1) Enclosure meets or exceeds IP40 and NEMA 1
 2) When used with PS19 the enclosure meets or exceeds IP 66 and NEMA 4X, 12 and 13 MIL-STD-810G 506.5
 3) Circuit Board drawings can be download at:
http://www.serpac.com/Products/Sseries/x9x/drawings/09X_top-CB.pdf
 4) All components are RoHS Compliant.

ALL DIMENSIONS ARE ± .010" 3/23/10 (1 of 2)
619 Commercial Ave. Covina, CA 91723
 Ph. (626) 331-0517 Fx. (626) 331-8584 serpac.com

SERPAC 194 (user print)

Electronic Enclosures



PART NO.	DESCRIPTION (Included)	ACCESSORIES (Optional)	
		PART NO.	DESCRIPTION
9-4	TOP		
19	BOTTOM	50	Non-skid Feet
6005	#4X3/8" Self tapping (6)	PS19	Perimeter Seal

- Notes:
- 1) Enclosure meets or exceeds IP40 and NEMA 1
 - 2) When used with PS19 the enclosure meets or exceeds IP 66 and NEMA 4X, 12 and 13 MIL-STD-810G 506.5
 - 3) Circuit Board drawings can be download at: http://www.serpac.com/Products/Sseries/x9x/drawings/09X_top-CB.pdf
 - 4) All components are RoHS Compliant.

SECTION A-A
SCALE 1 : 2.65

ALL DIMENSIONS ARE $\pm .010"$ 3/23/10 (2 of 2)
619 Commercial Ave. Covina, CA 91723
Ph. (626) 331-0517 Fx. (626) 331-8584 www.serpac.com

X-ON Electronics

Largest Supplier of Electrical and Electronic Components

Click to view similar products for [Electrical Enclosures](#) category:

Click to view products by [SERPAC](#) manufacturer:

Other Similar products are found below :

[120-401](#) [120-905](#) [120-909](#) [120-403](#) [130-004](#) [MR-25L+](#) [30-8739](#) [PIP-11774SCREW](#) [30-9715](#) [30-9777-BU](#) [105-905](#) [110-901](#) [A16N12BLP](#)
[110-406](#) [110-401](#) [110-403](#) [110-404](#) [120-405](#) [34861601](#) [106-009](#) [106-505](#) [105-405](#) [111-005](#) [127-909](#) [106-502](#) [130-503](#) [127-401](#) [127-455](#)
[9511150](#) [9511017](#) [9820011](#) [NSYTDB5PL](#) [137-455](#) [130-001](#) [105-904](#) [120-404](#) [137-005](#) [130-505](#) [127-406](#) [AB 1,5.0](#) [AB2.0](#) [ABM.0](#)
[73345601](#) [F-MP](#) [M-MP](#) [PAT 12040](#) [2461000](#) [79541301](#) [19001001](#) [19001101](#)