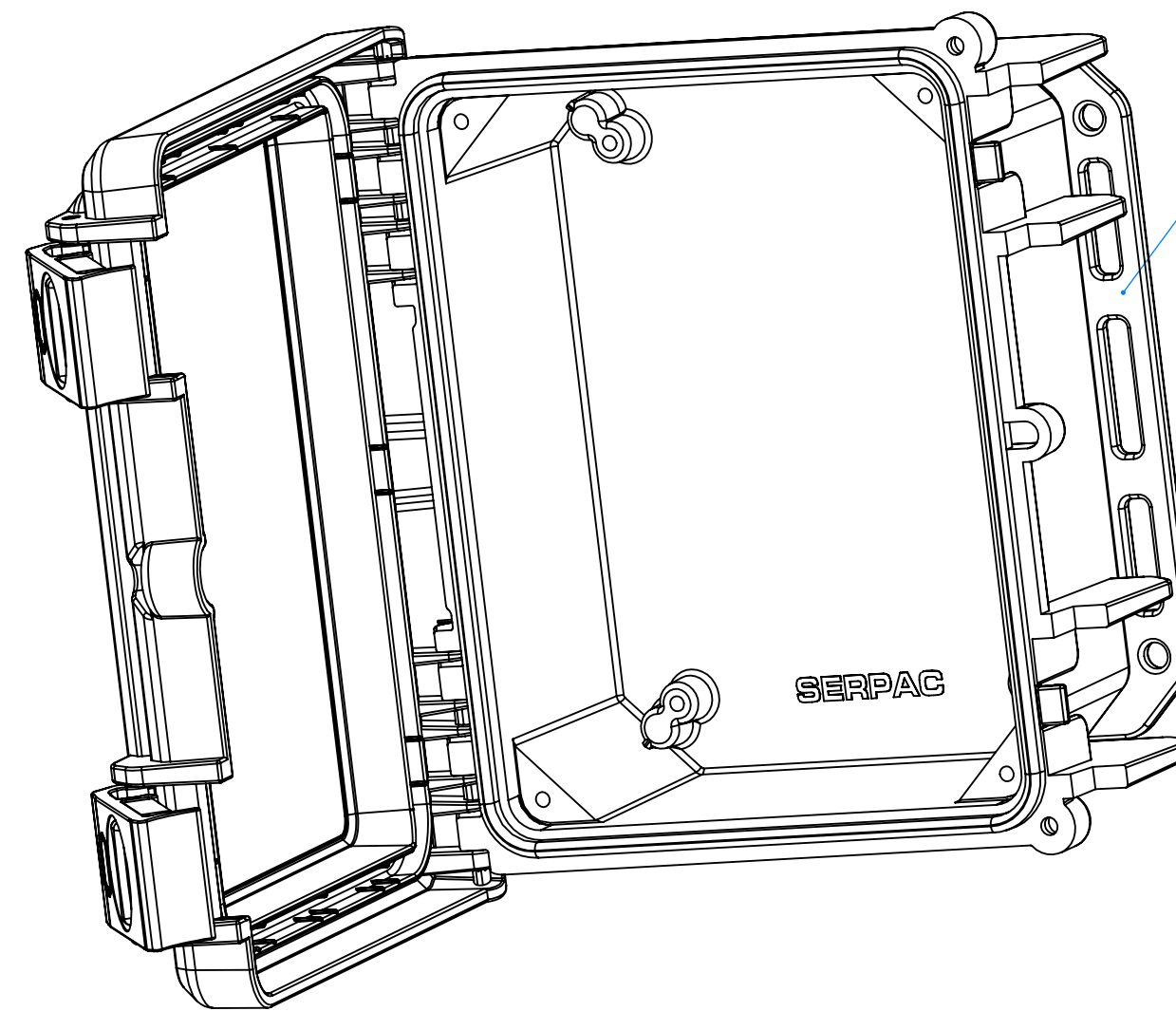
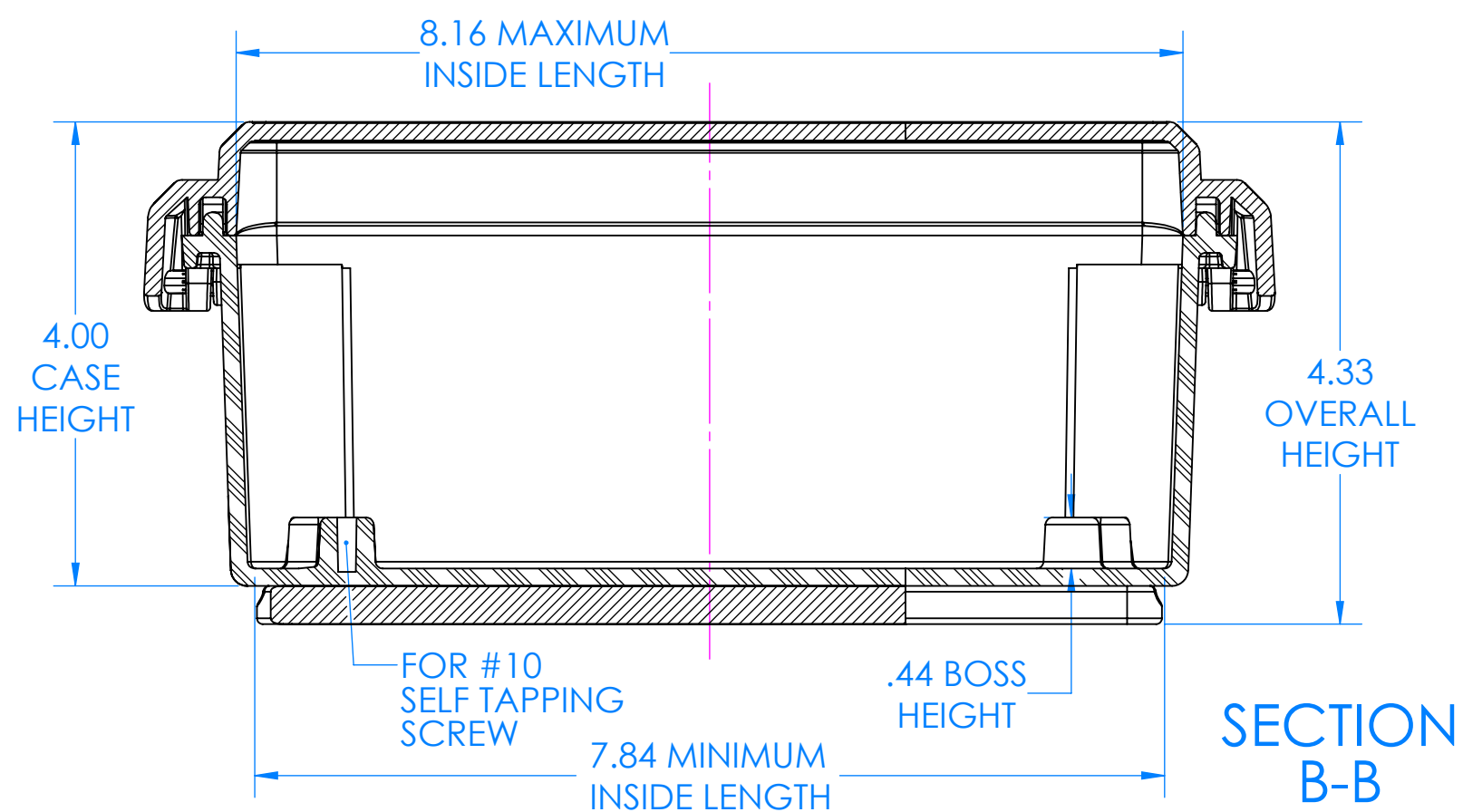
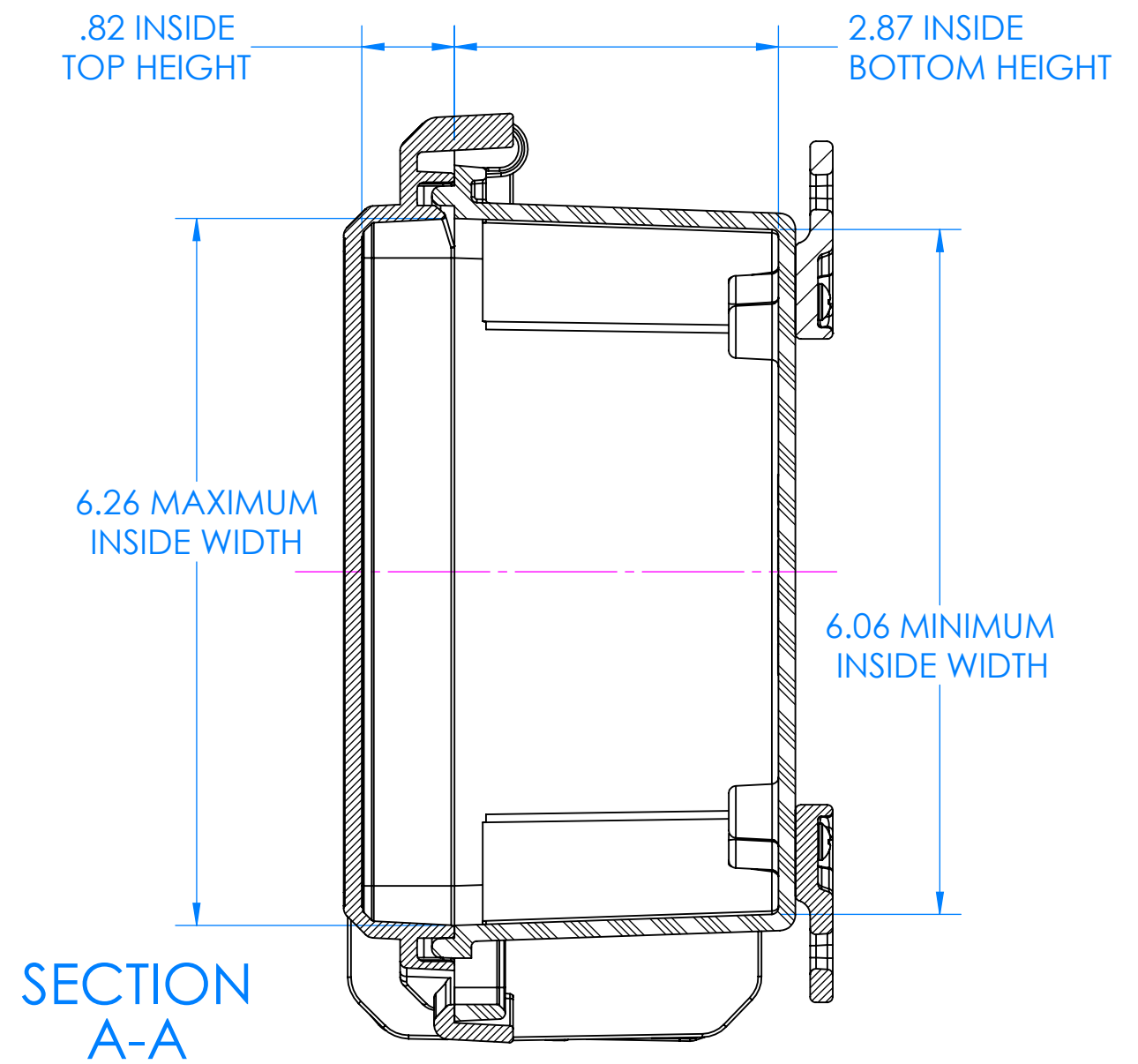
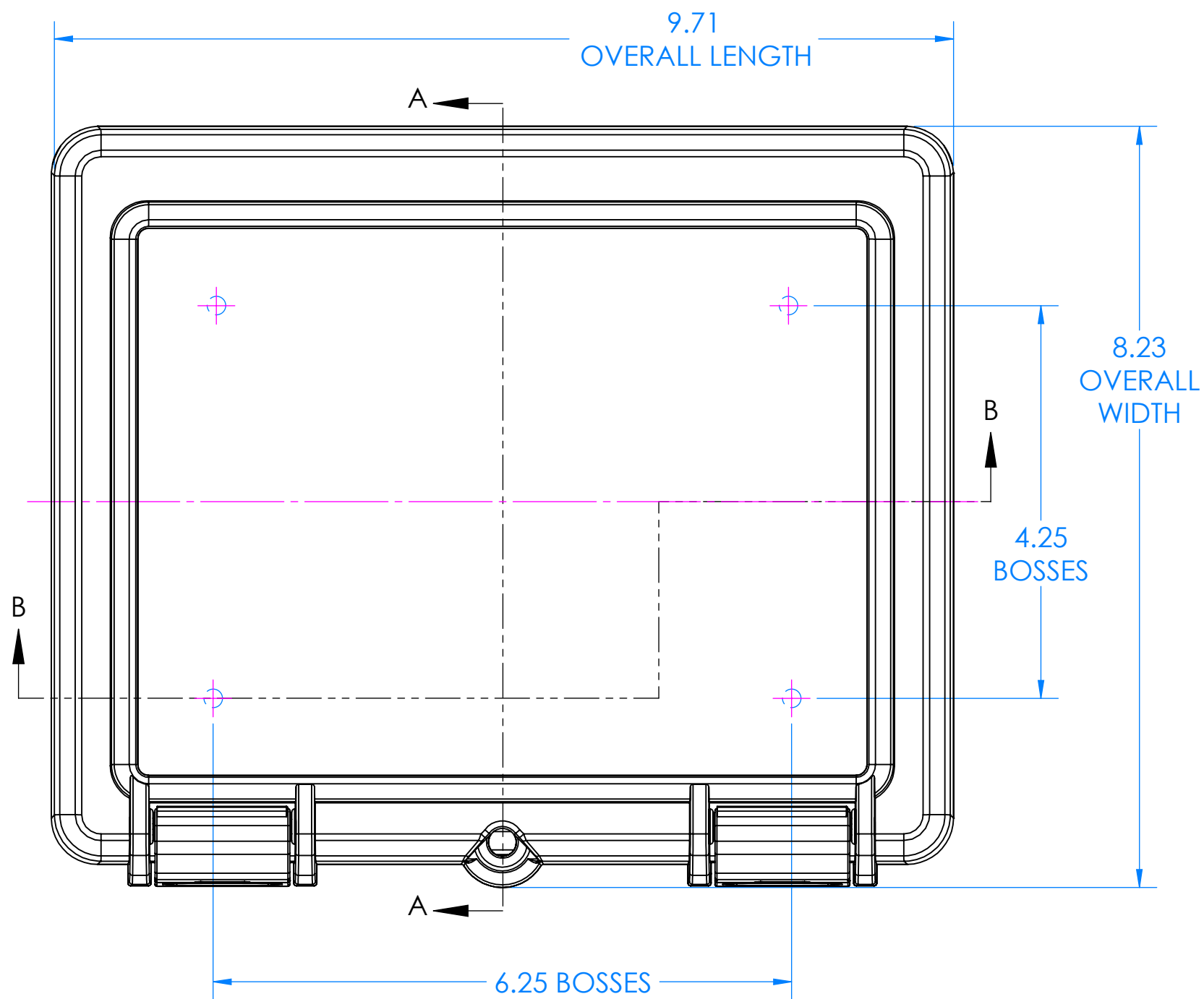


SERPAC I142HL

Electronic Enclosures



2 Mounting Brackets included, see sheet 2 for dimensions and for optional mounting Corner Feet and Brackets.

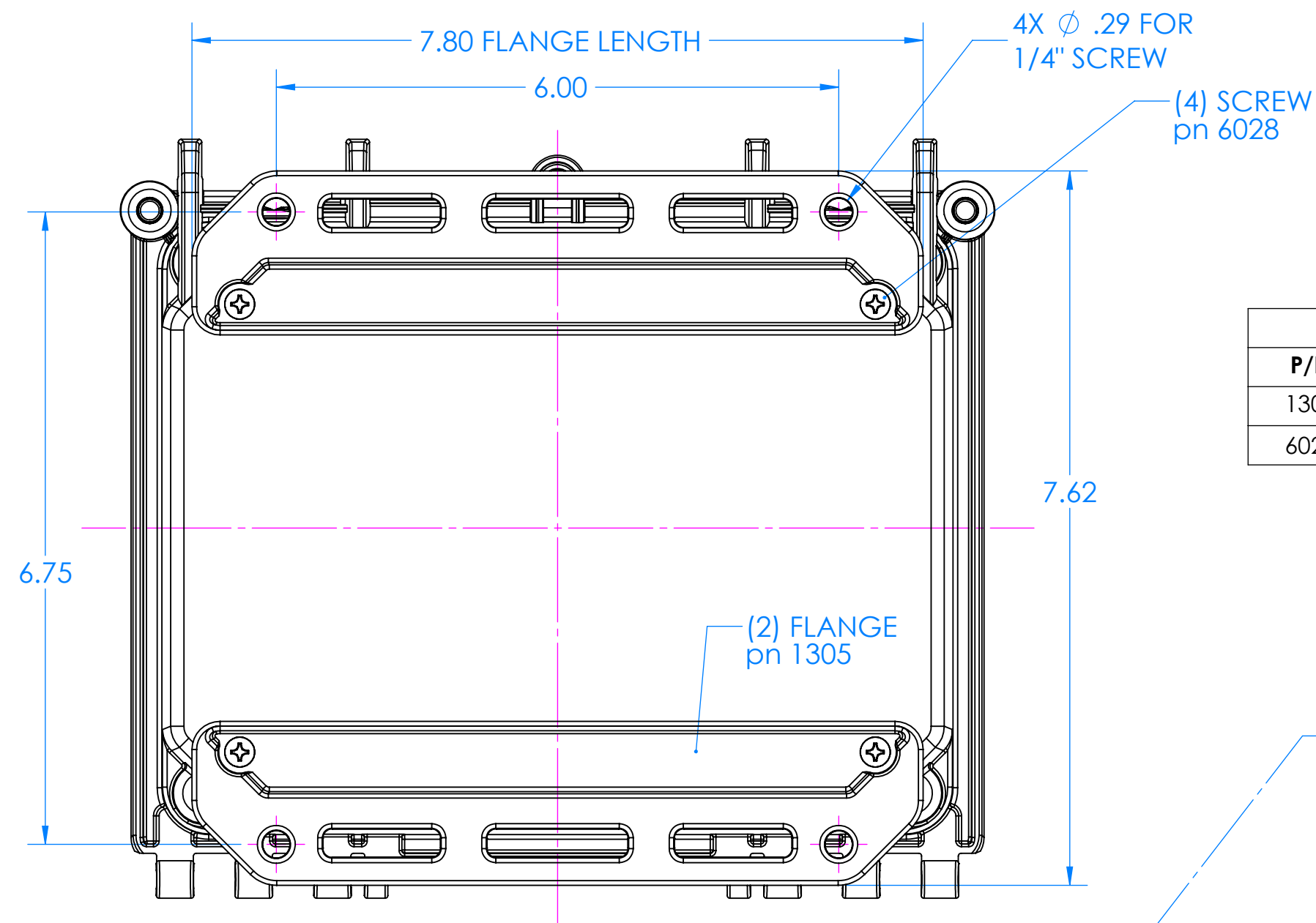
Aluminum and Plastic Panel Kits are available as options, see sheets 3-6. The aluminum panel options are:
 Bottom Panel Kit p/n 7100B
 Top Panel Kit p/n 7100T
 Hinged Top Panel Kit p/n 7100TH
 The plastic panel option is:
 Hinged Panel Kit p/n 7100HP

- UL listed to UL 508A 4/4X standard (UL file E519183).
- Material: UV stabilized Polycarbonate Flammability V0, F1 rated material.
- Watertight enclosure meets or exceed Nema 4 and or IP67.

PARTS INCLUDED		
P/N	Qty.	Description
I152HLT	1	I152 Hinge Latch Top
I140HLB	1	I140 Hinge Latch Bottom
7011PCM	2	Safety Latch for I-Series (PC)
8150	1	150 O-Ring
1305	2	Mounting Bracket
6028	4	SS #10 X 5/8" Pan H/L

SERPAC I142 Mounting Bracket Dimensions

Electronic Enclosures



INCLUDED STANDARD 1305 FLANGE KIT

PARTS INCLUDED IN KIT PN 1305		
P/N	Qty.	Description
1305	2	Mounting Bracket
6028	4	SS #10 X 5/8" Pan Combo H/L Screw

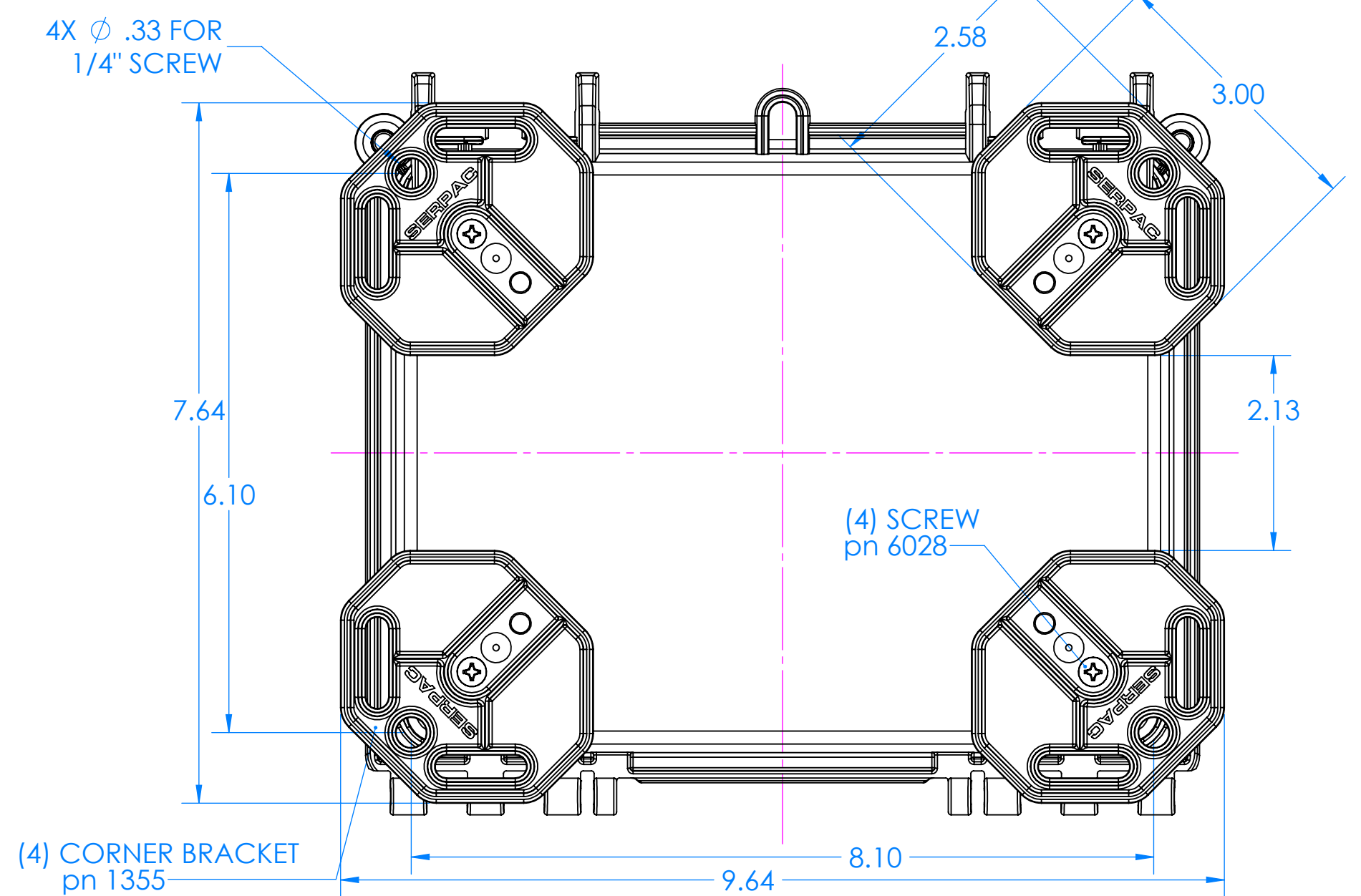
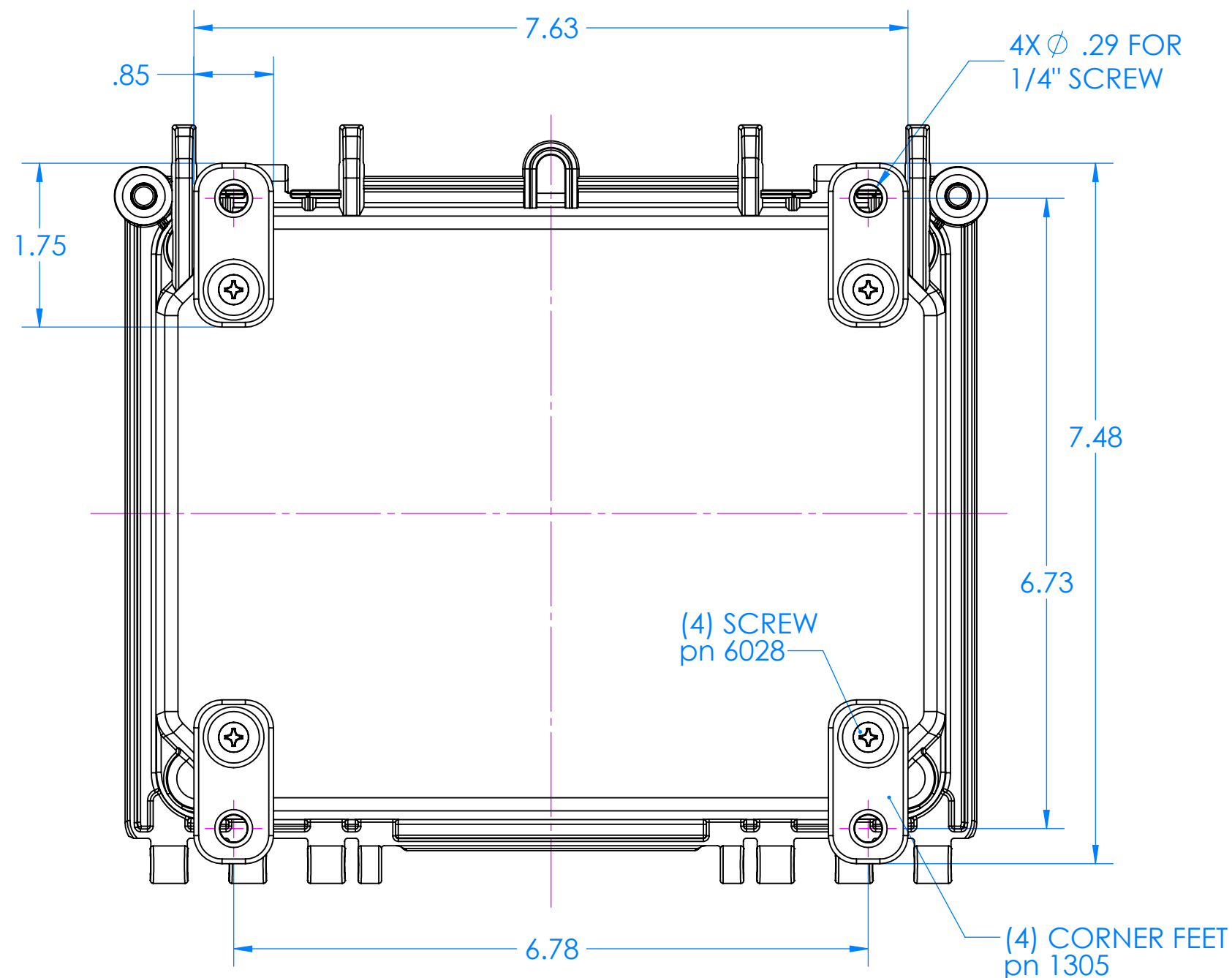
TOP & LATCHES REMOVED FOR CLARITY FROM ALL VIEWS

OPTIONAL 1306 CORNER FEET KIT

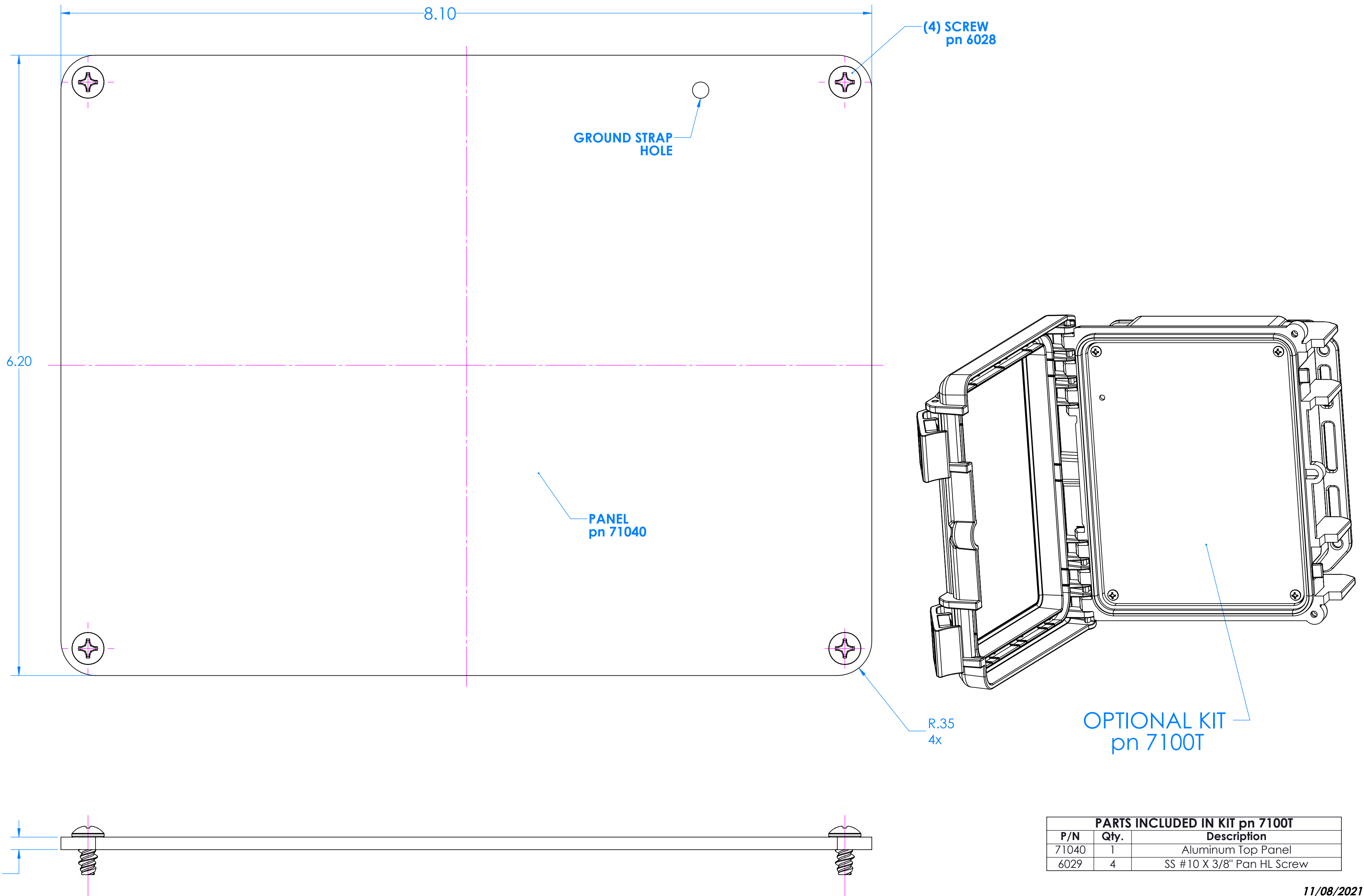
PARTS INCLUDED IN KIT pn 1306		
P/N	Qty.	Description
1306	4	Mounting Corner Feet
6028	4	SS #10 X 5/8" Pan Combo H/L Screw

OPTIONAL 1355 CORNER BRACKET KIT

PARTS INCLUDED IN KIT PN 1355		
P/N	Qty.	Description
1355	4	Mounting Corner Bracket
6028	4	SS #10 X 5/8" Pan Combo H/L Screw

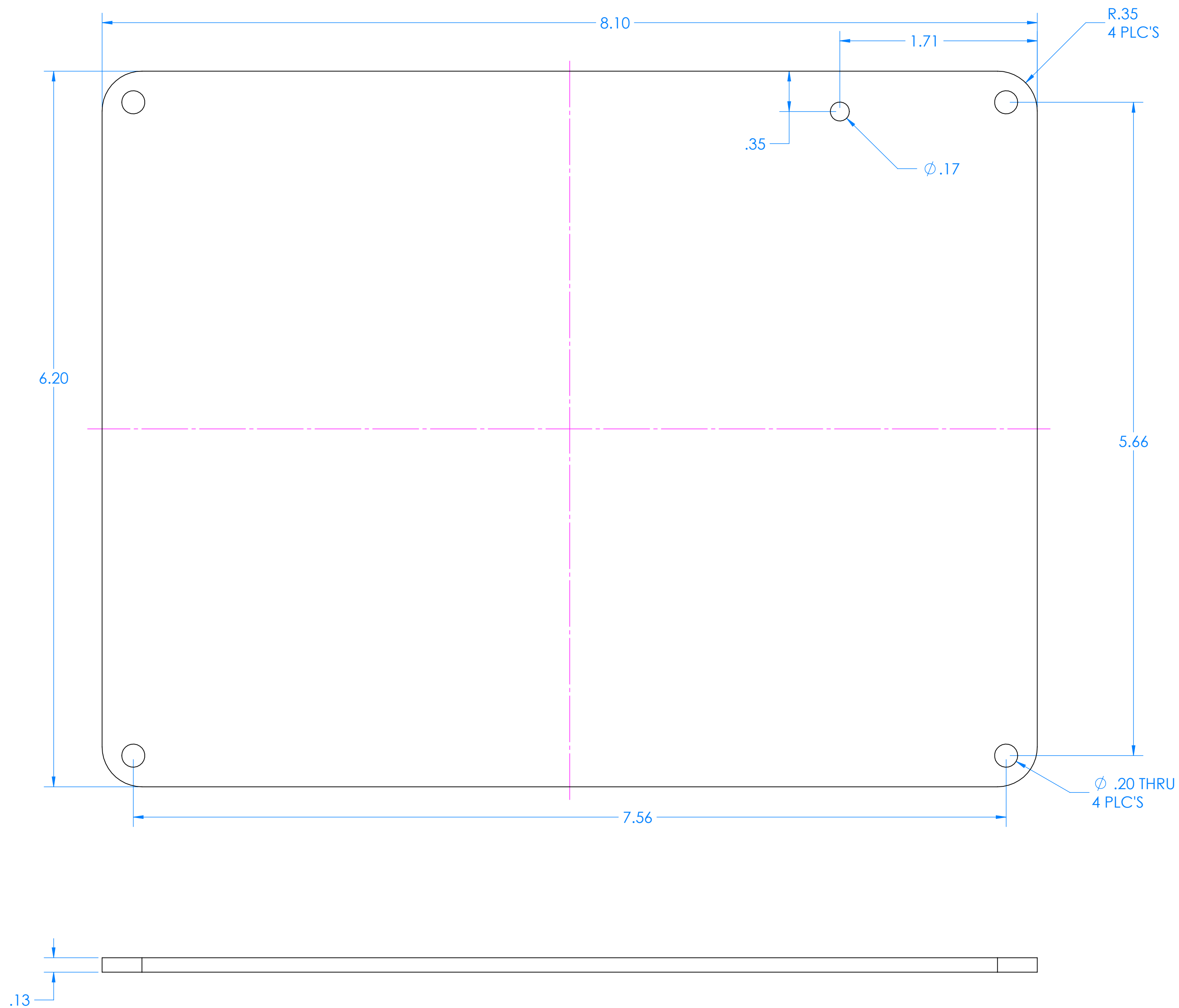


7100T Aluminum Top Panel Kit for I142HL, I152HL and I152HS

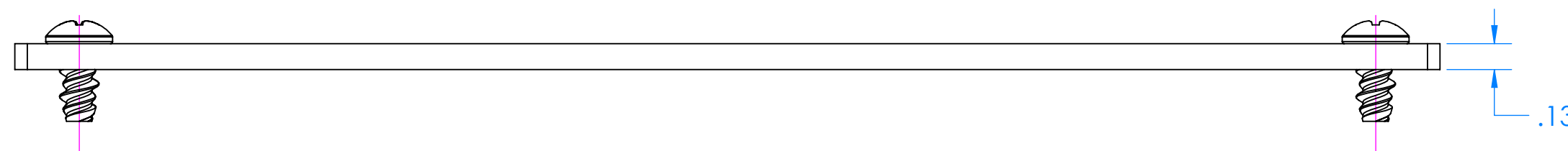
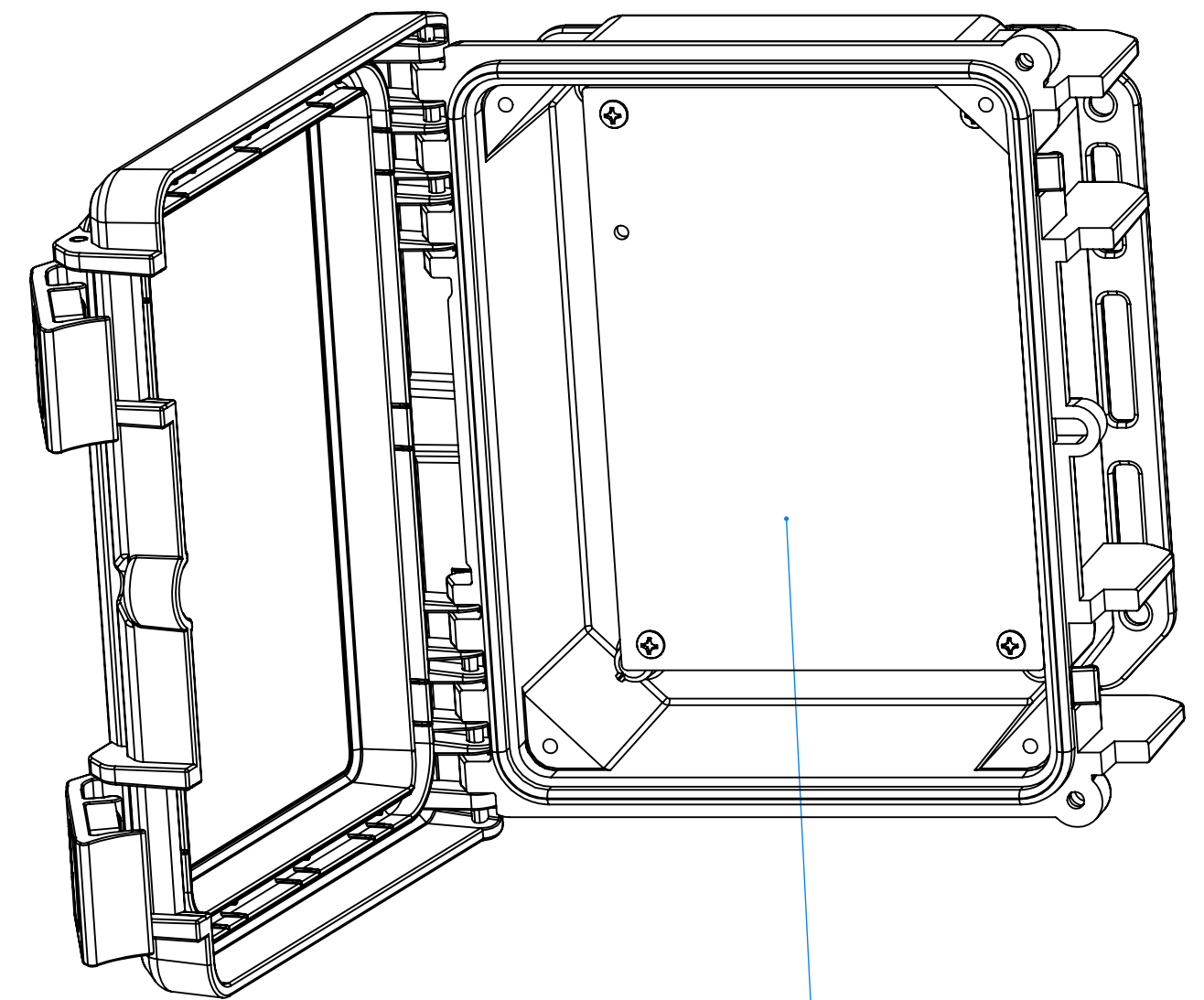
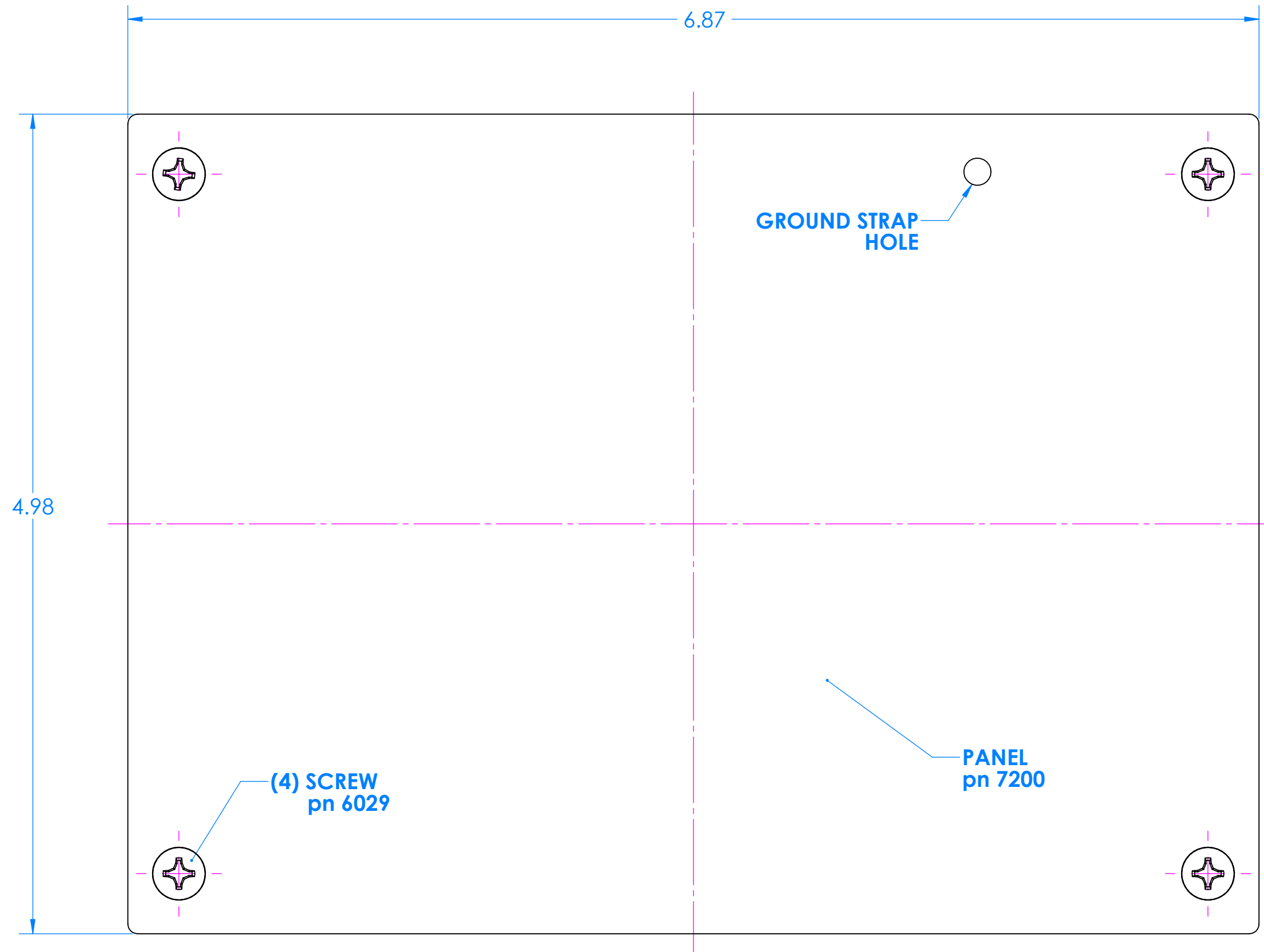


71040 Aluminum Top Panel

I142HL, I152HL and I152HS



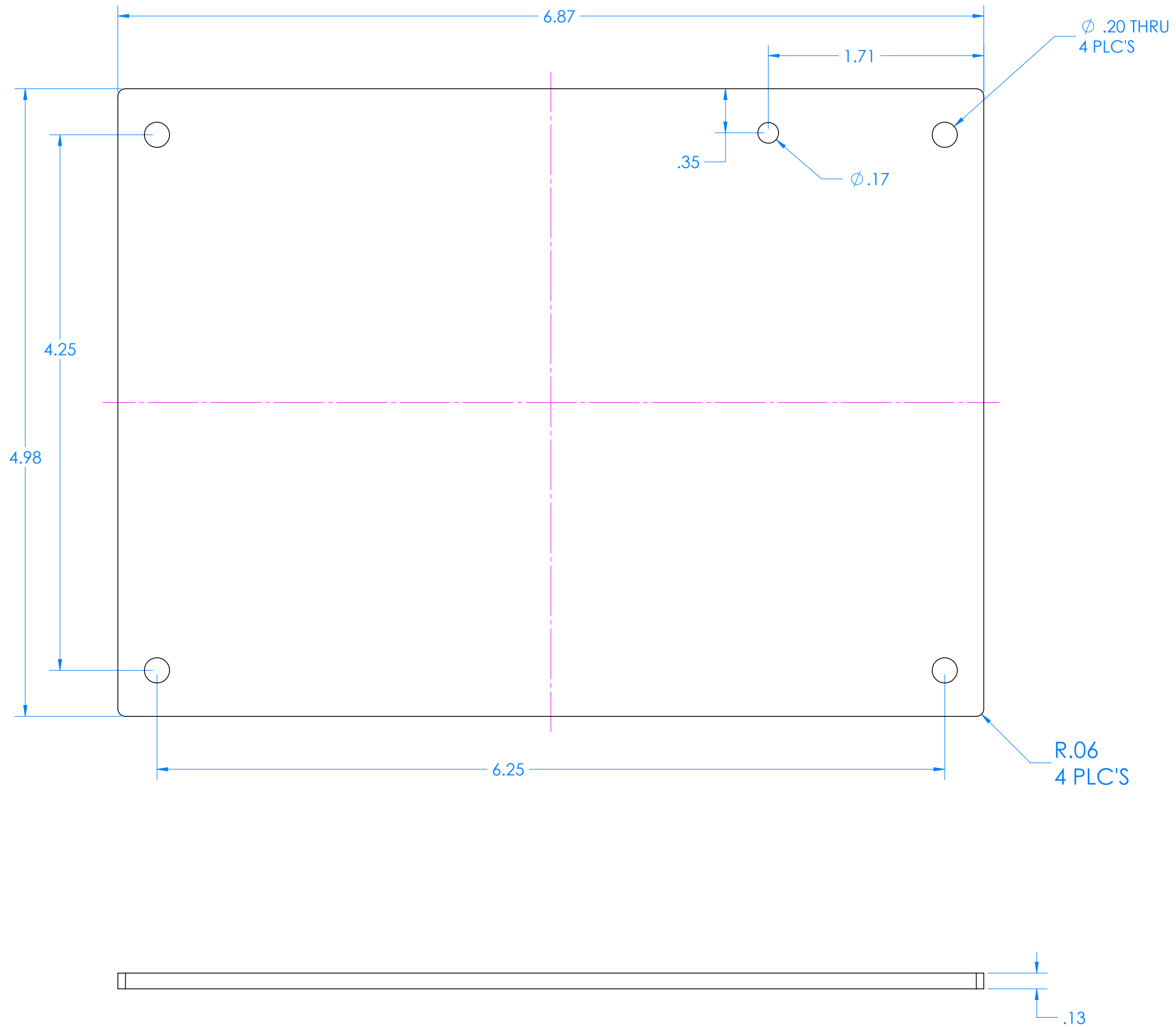
7100B Aluminum Bottom Panel Kit for I142HL, I152HL and I152HS



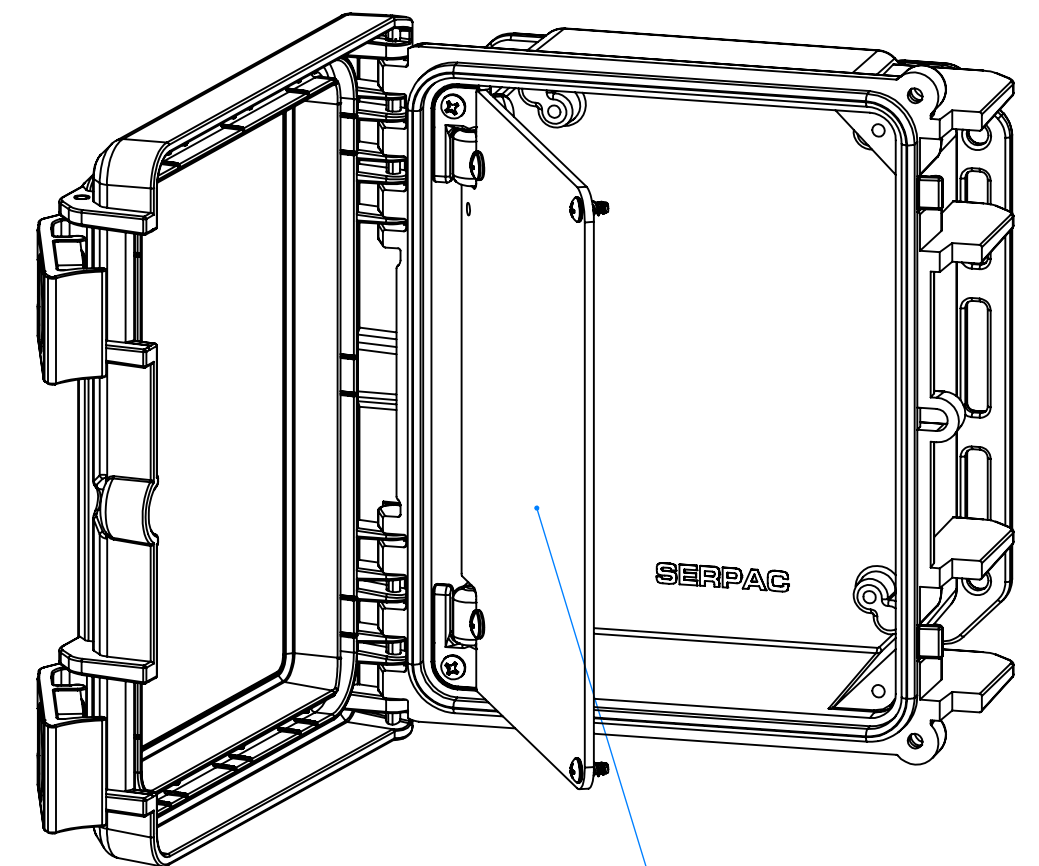
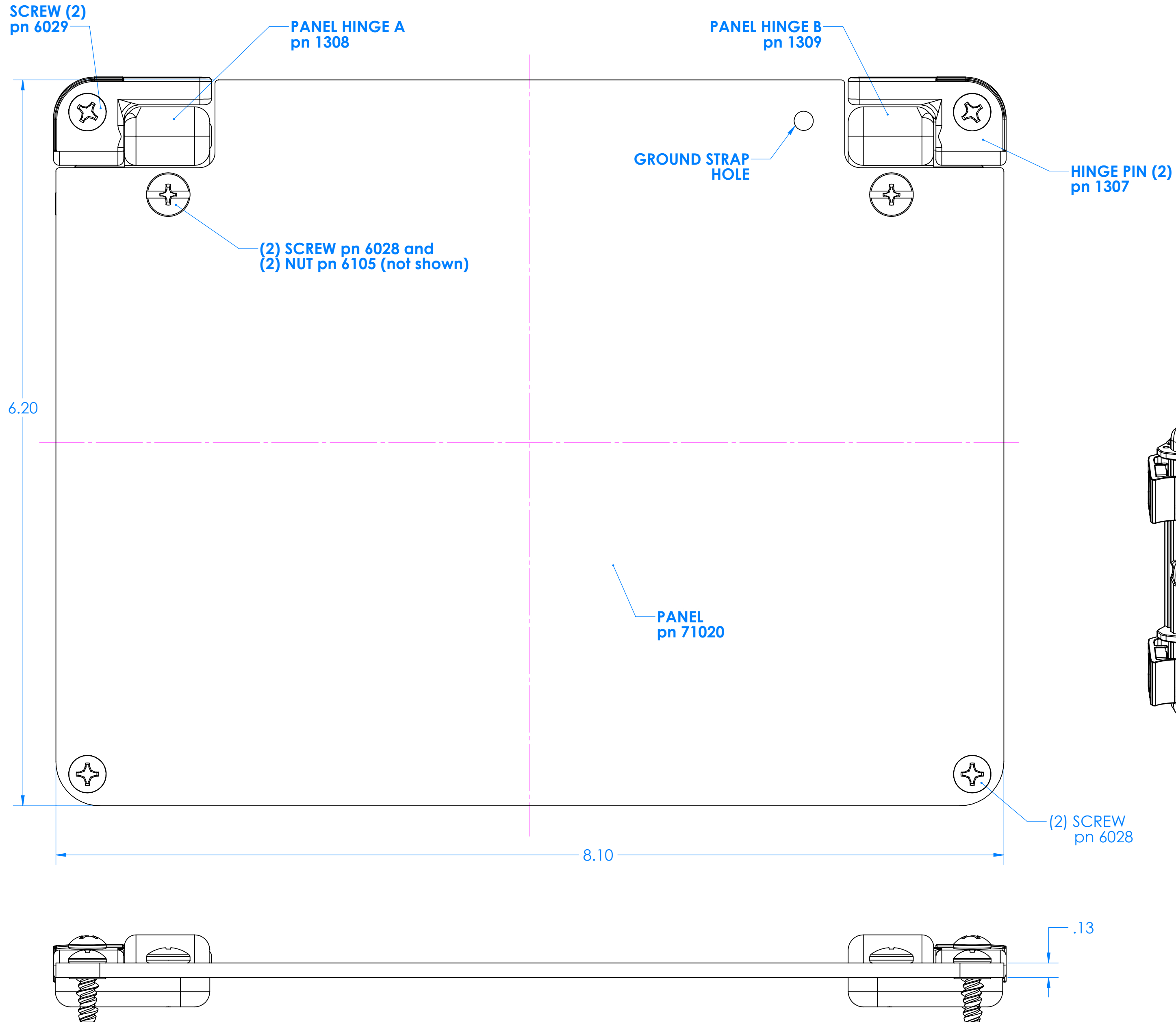
PARTS INCLUDED IN pn 7100B		
P/N	Qty.	Description
71000	1	Aluminum Bottom Panel
6029	4	SS #10 X 3/8" Pan HL Screw

7000 Aluminum Bottom Panel

I142HL, I152HL and I152HS



7100TH Aluminum Hinged Top Panel Kit for I142HL, I152HL and I152HS

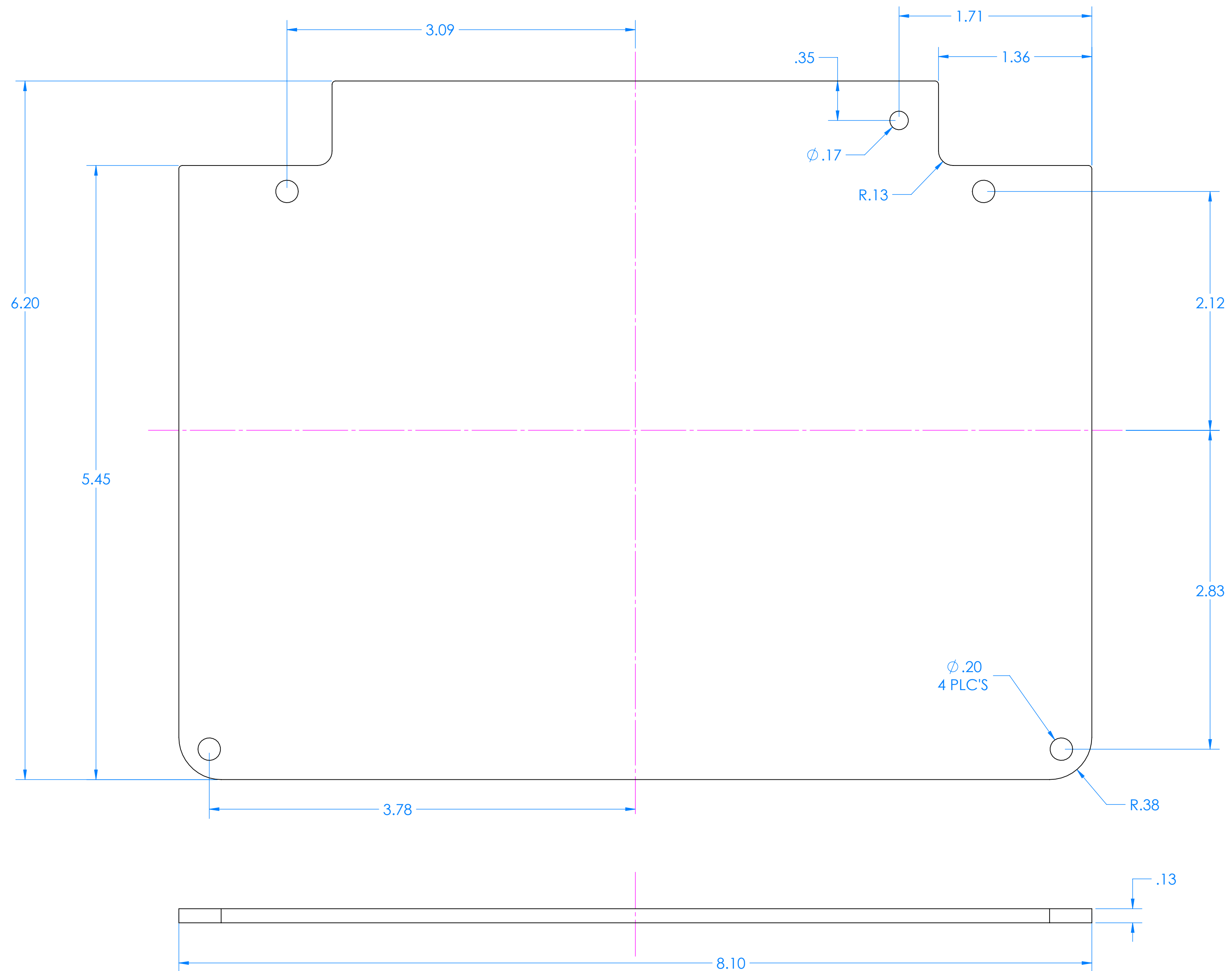


OPTIONAL KIT
pn 7100TH

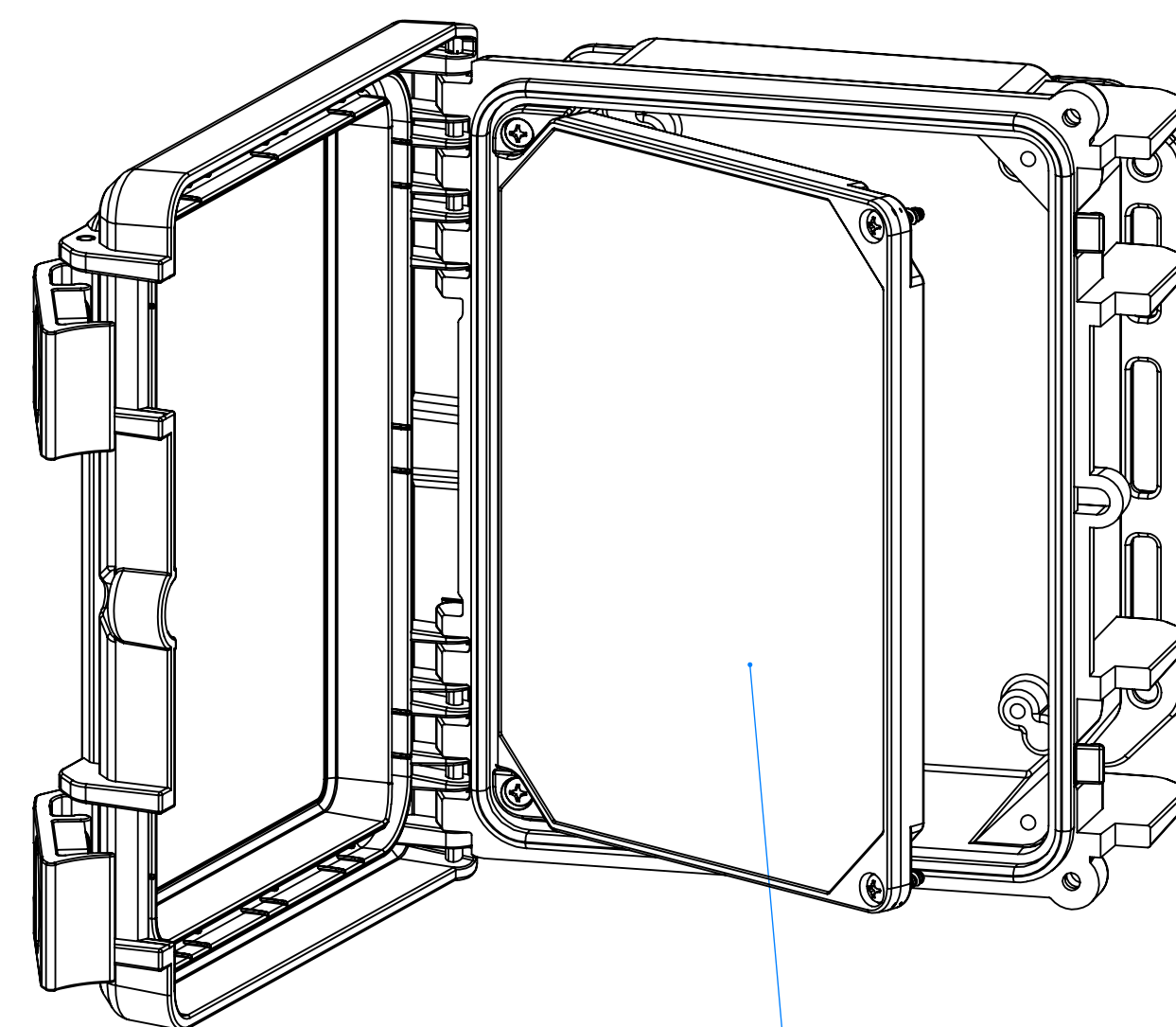
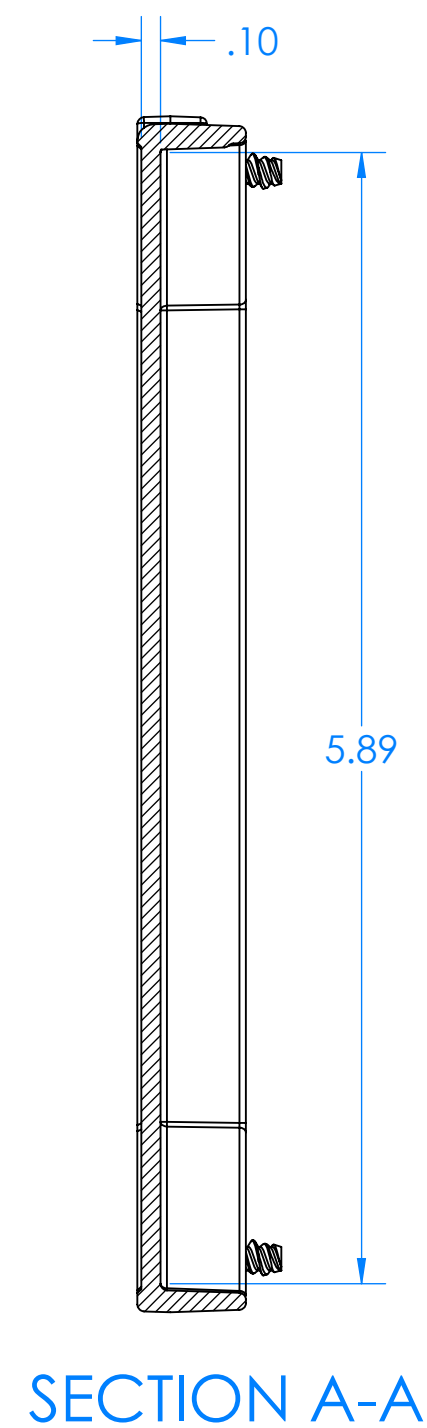
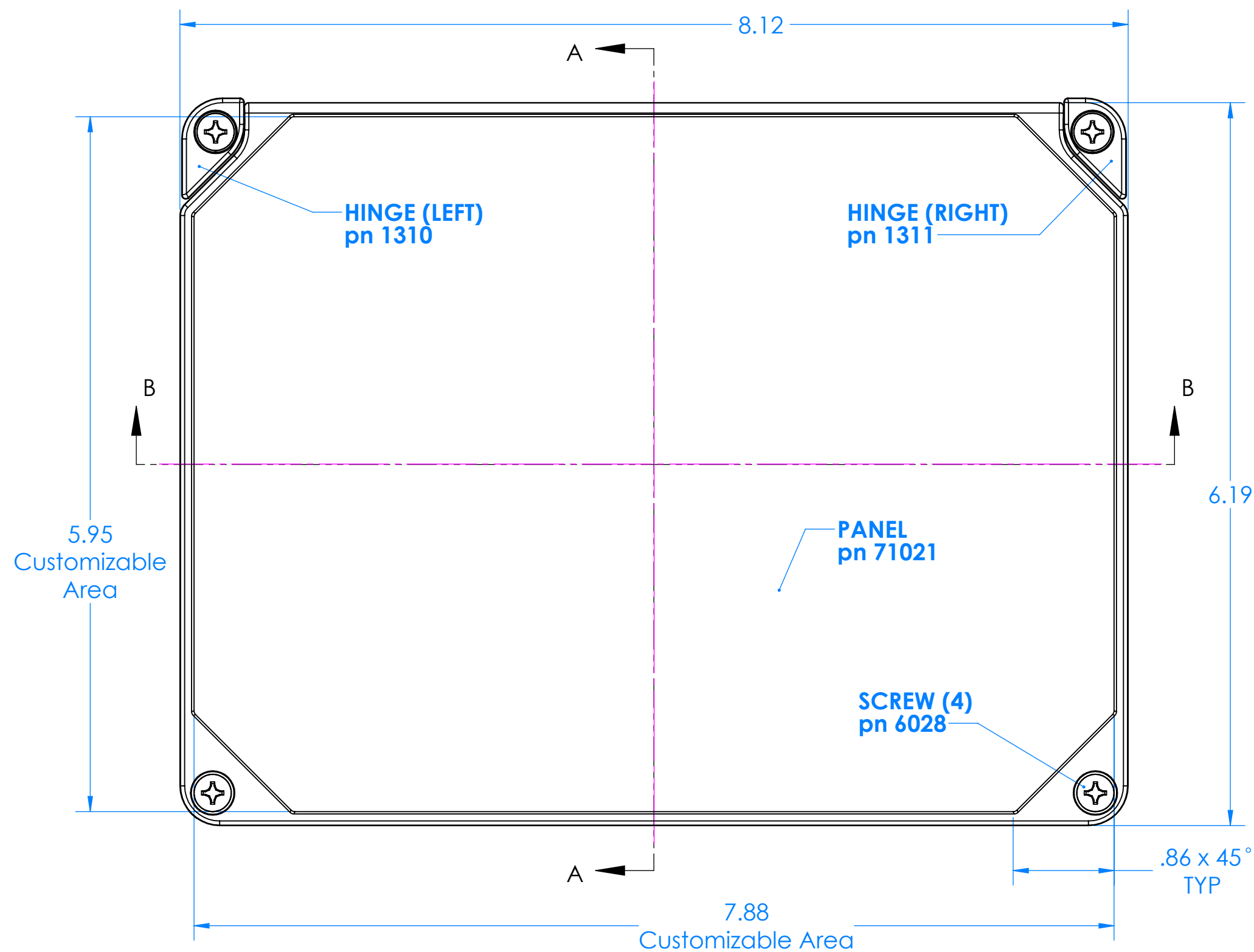
PARTS INCLUDED IN pn 7100TH		
P/N	Qty.	Description
71020	1	Aluminum Hinged Top Panel
6029	2	SS #10 X 3/8" Pan HL Screw
6030	2	SS #10-32 X 3/8" Pan Combo Screw HL Screw
6105	2	SS #10-32 X1/8" Nut
6028	2	SS #10 X 5/8" Pan Combo HL Screw
1307	2	Hinge Pin
1308	1	Panel Hinge A
1309	1	Panel Hinge B

71020 Aluminum Hinged Top Panel

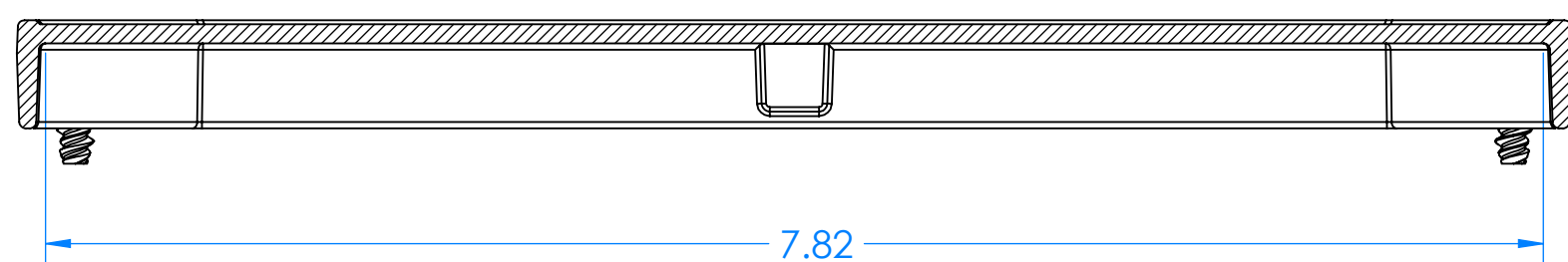
I142HL, I152HL and I152HS



7100HP Plastic Hinged Top Panel Kit for I142HL, I152HL and I152HS



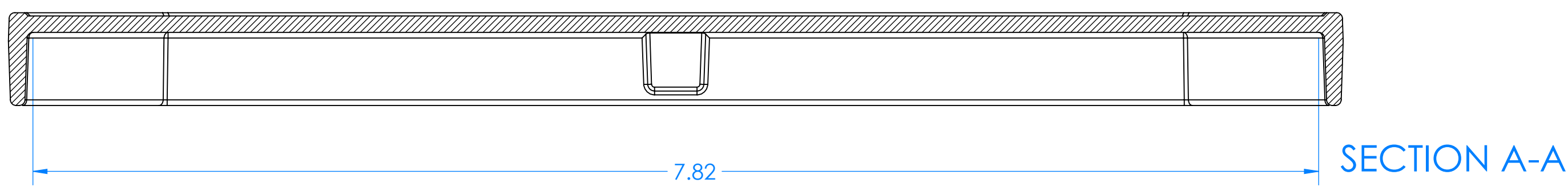
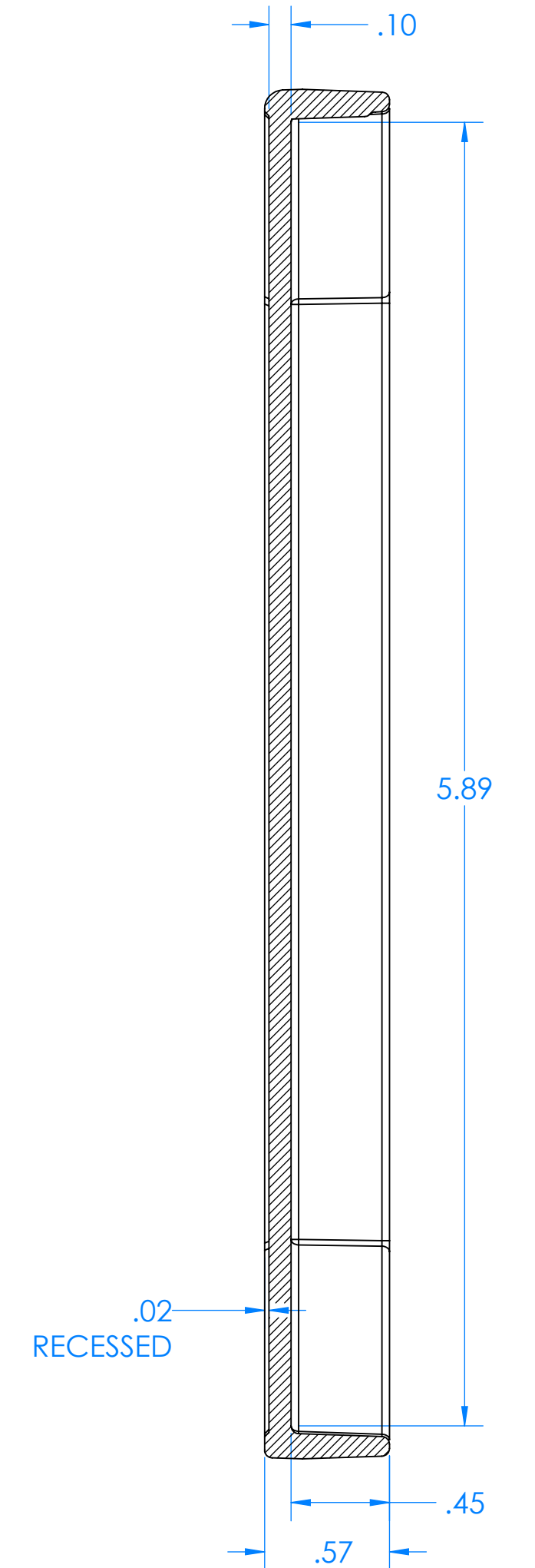
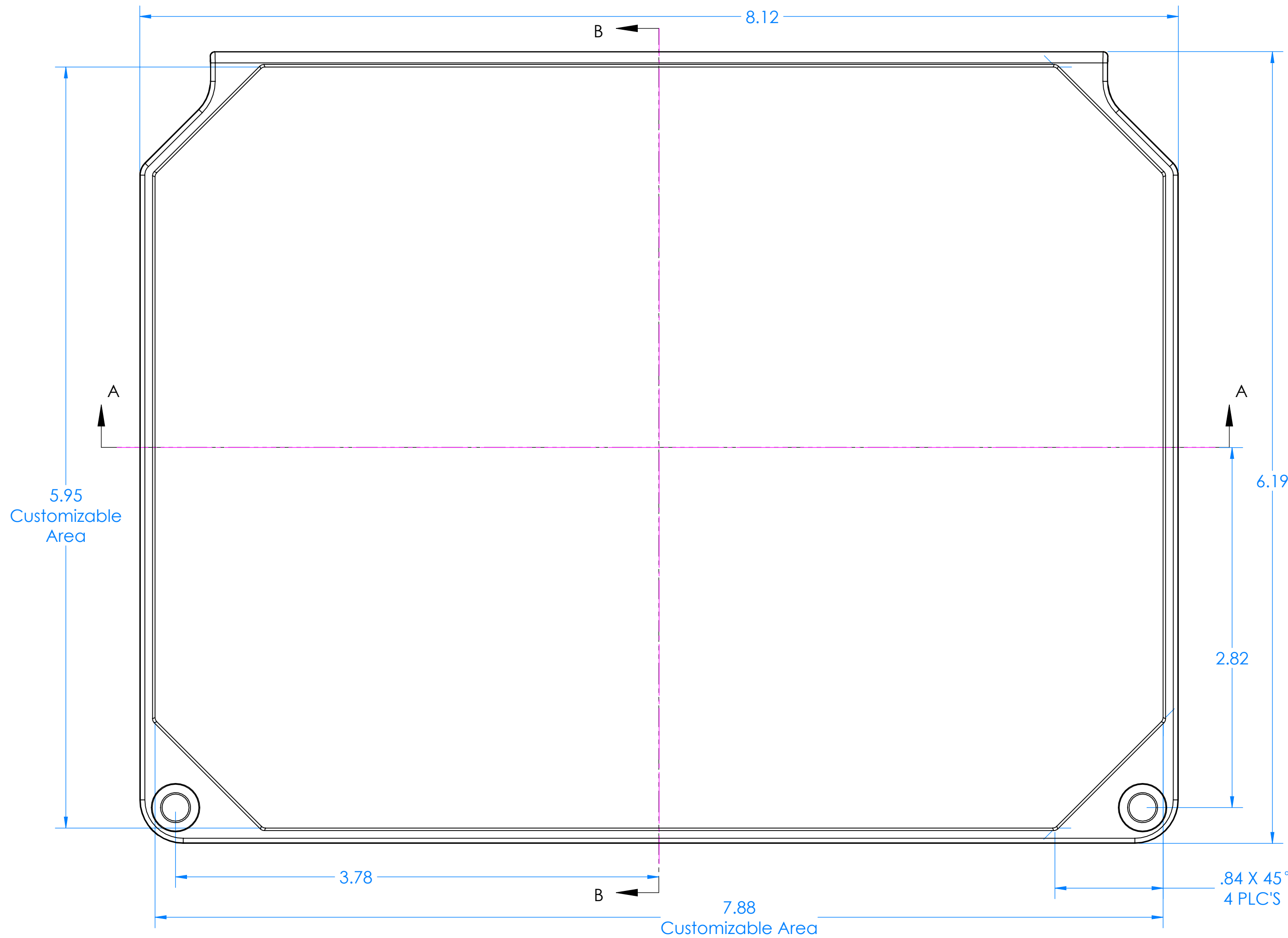
OPTIONAL KIT
pn 7100HP



PART INCLUDED IN pn 7100HP		
P/N	Qty.	Description
71021	1	Plastic Hinged Top Panel
1310	1	Hinge - Left
1311	1	Hinge - Right
6028	4	SS #10 X 5/8" Pan Combo H/L Screw

71021 Plastic Hinged Top Panel

I142HL, I152HL and I152HS



X-ON Electronics

Largest Supplier of Electrical and Electronic Components

Click to view similar products for [Electrical Enclosures](#) category:

Click to view products by [SERPAC](#) manufacturer:

Other Similar products are found below :

[120-403](#) [MR-25L+](#) [110-402](#) [A242012LP](#) [A16N12BLP](#) [111-005](#) [9511096](#) [9511016](#) [PC 30/25-FC3](#) [127-406](#) [127-906](#) [79021101](#) [EKIV 17](#)
[EKIV 37](#) [2327000](#) [2534100](#) [18600801](#) [19001201](#) [19001301](#) [19501001](#) [19701101](#) [19600901](#) [TM 0808](#) [TRH 24](#) [A317SEAL](#) [A3735SEAL](#)
[A3783SEAL](#) [X16C LGR-TR](#) [X25C LGR-TR](#) [T 160 OE HD LGR](#) [T 350 OE HD LGR](#) [T 60 M20](#) [T 60 M20 NL](#) [SDB 03 PS](#) [P2018SEAL](#)
[2763-00](#) [2765-00](#) [2761-00](#) [00 070](#) [00 071](#) [0212-00](#) [0213-00](#) [0217-00](#) [0221-00](#) [0222-00](#) [0224-00](#) [0225-00](#) [0226-00](#) [0226-10](#) [0226-11](#)