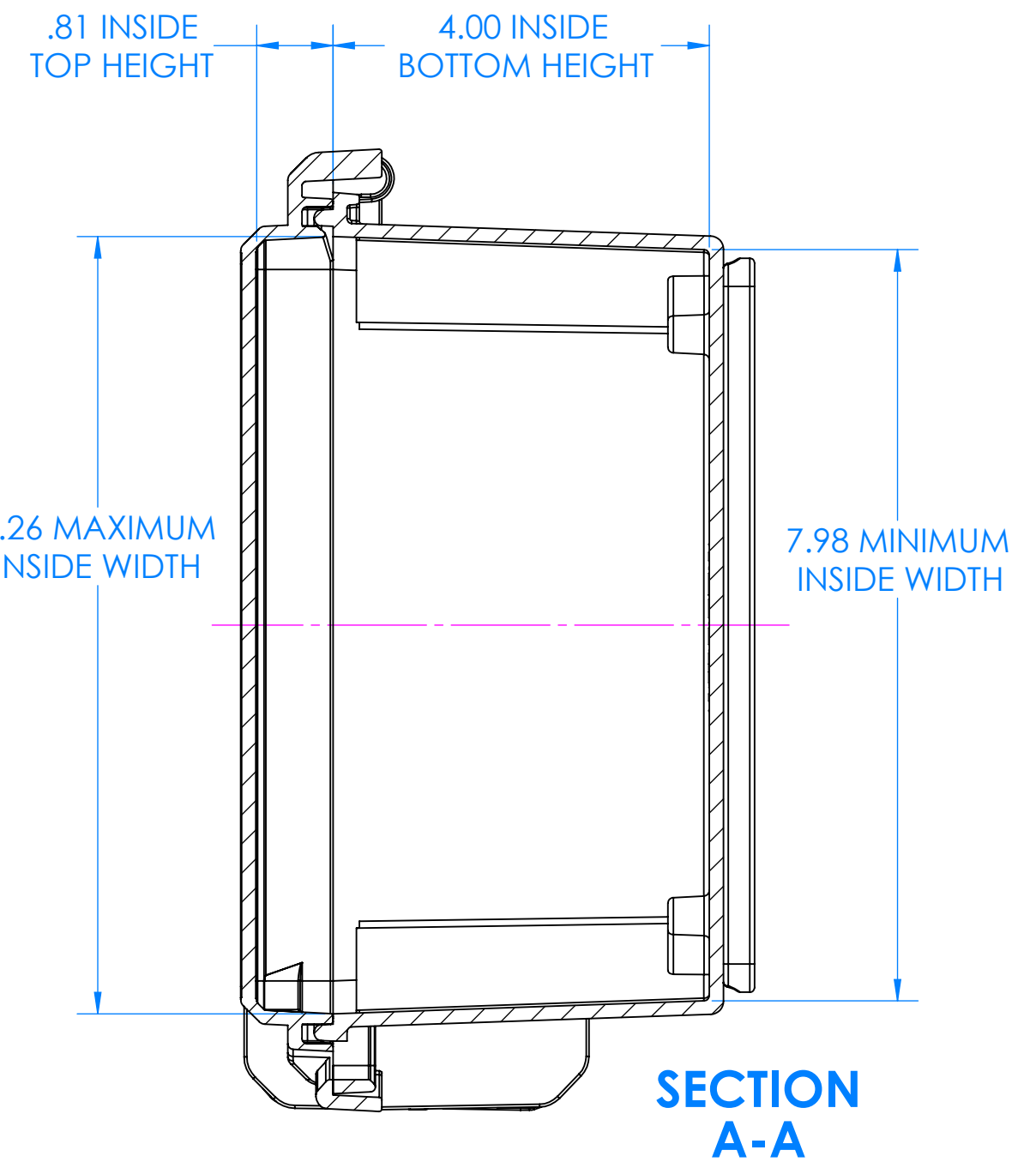
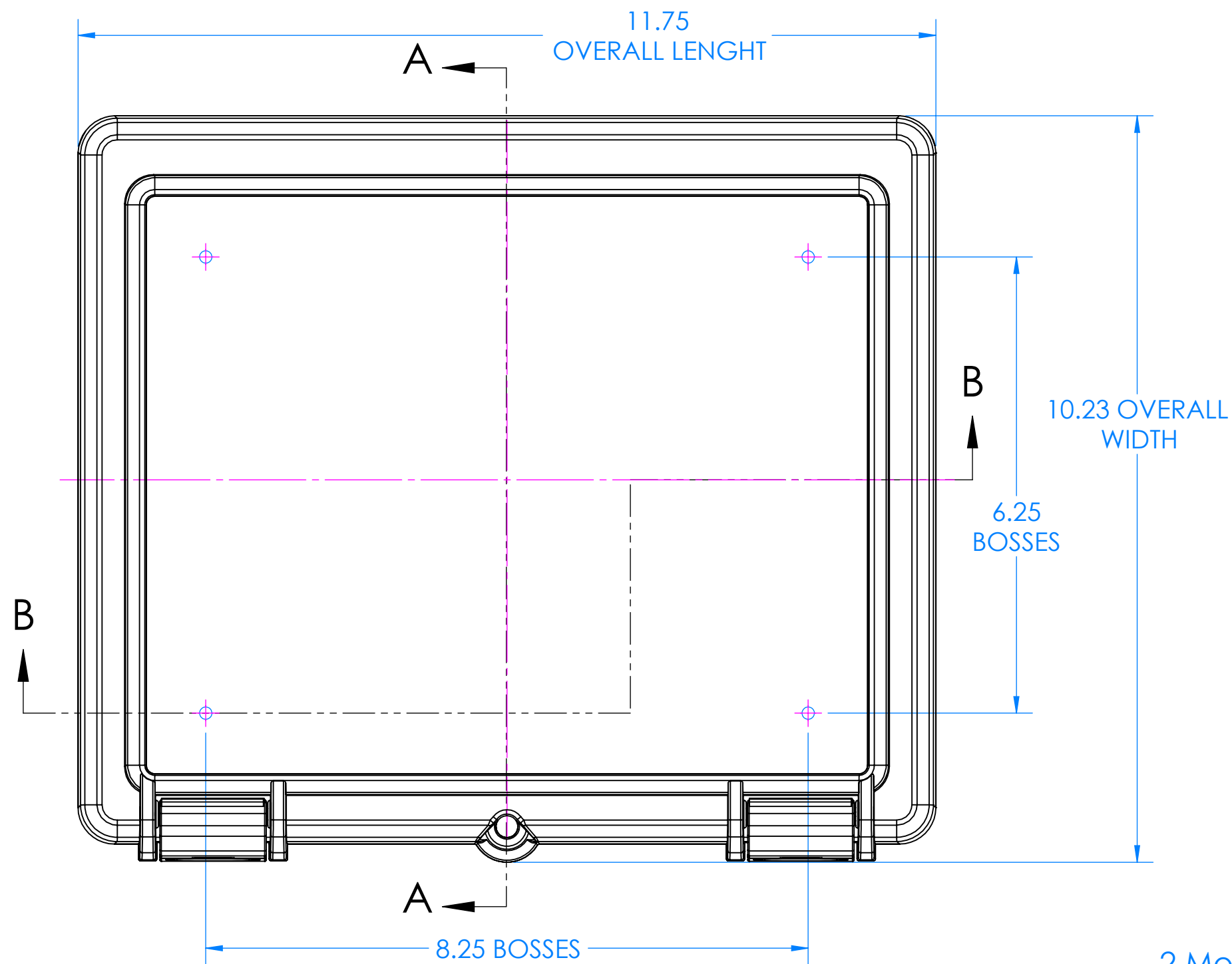


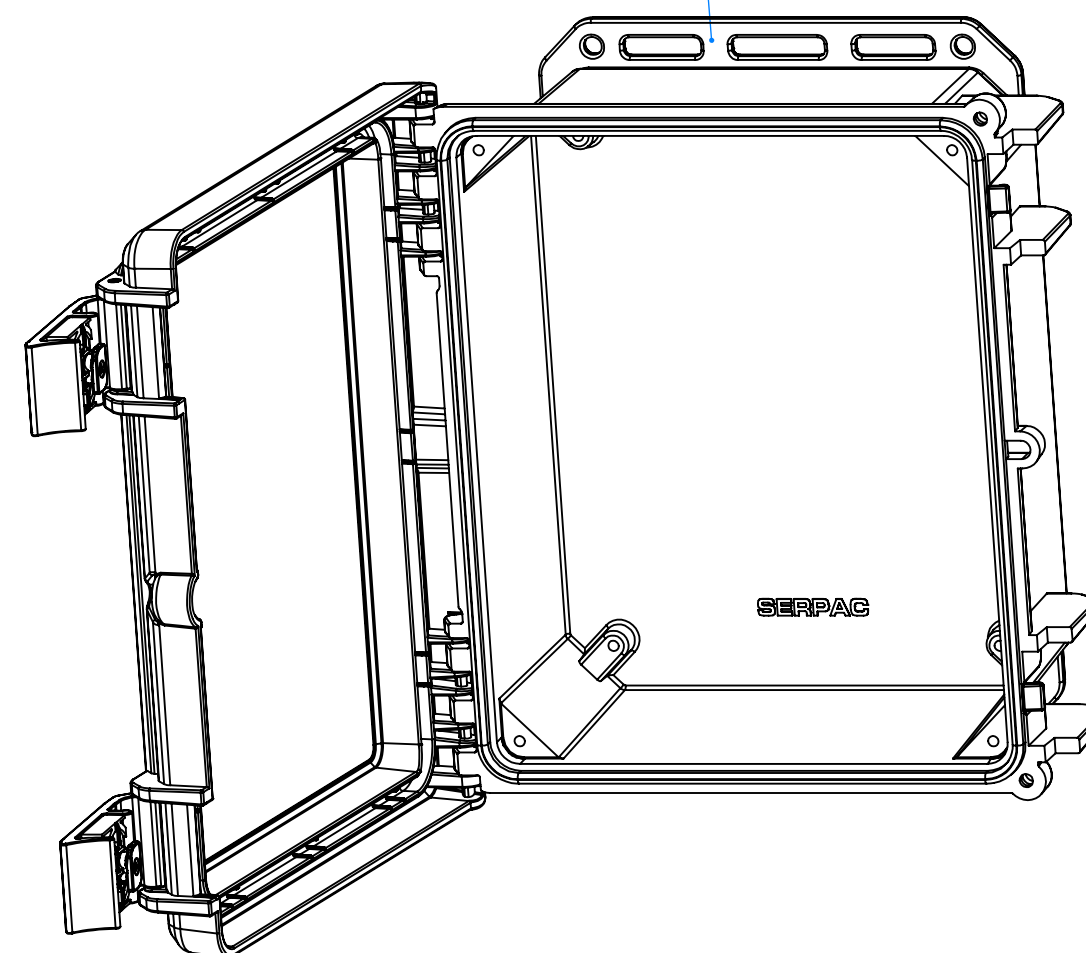
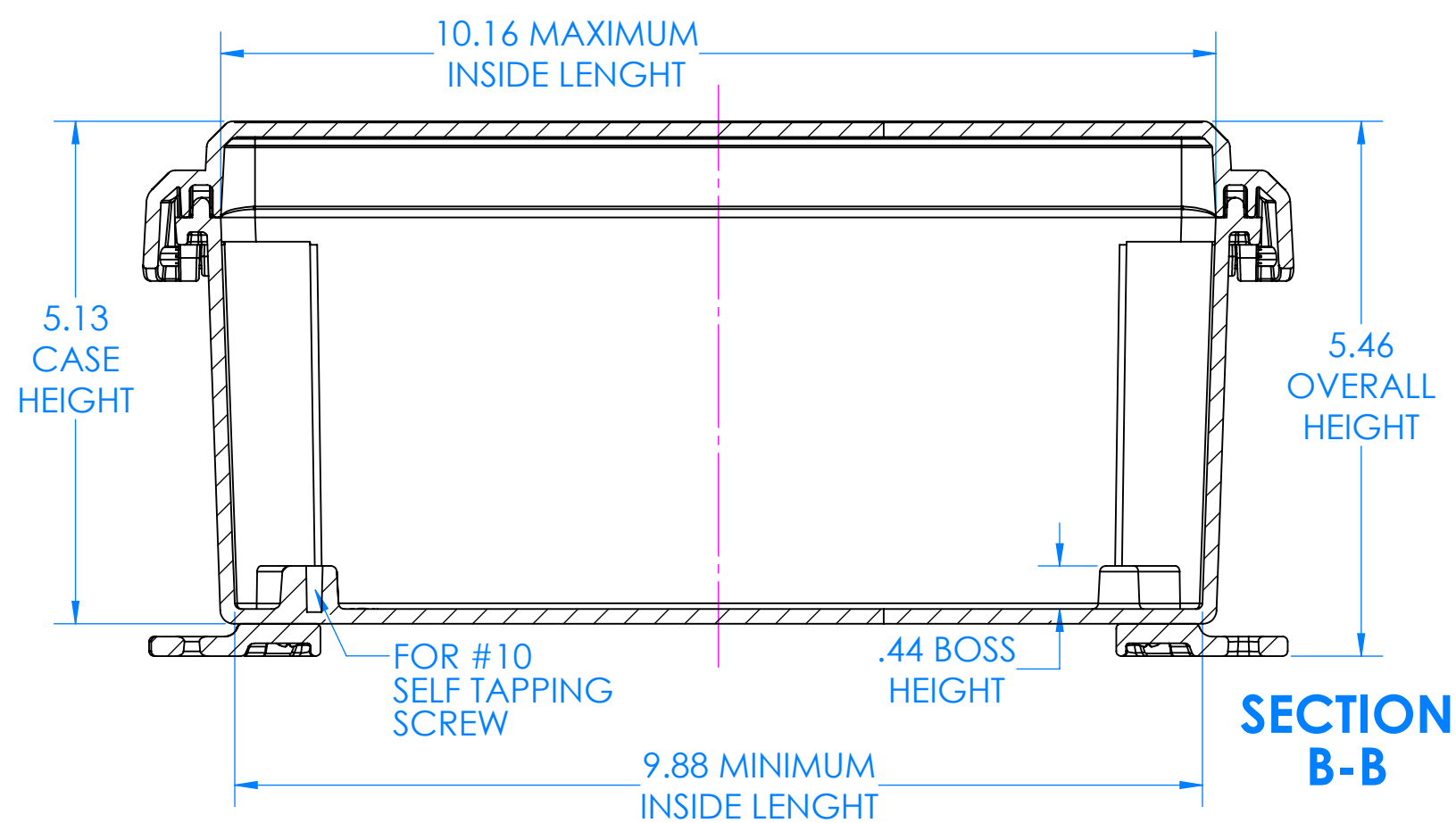
# SERPAC I342HL

Electronic Enclosures



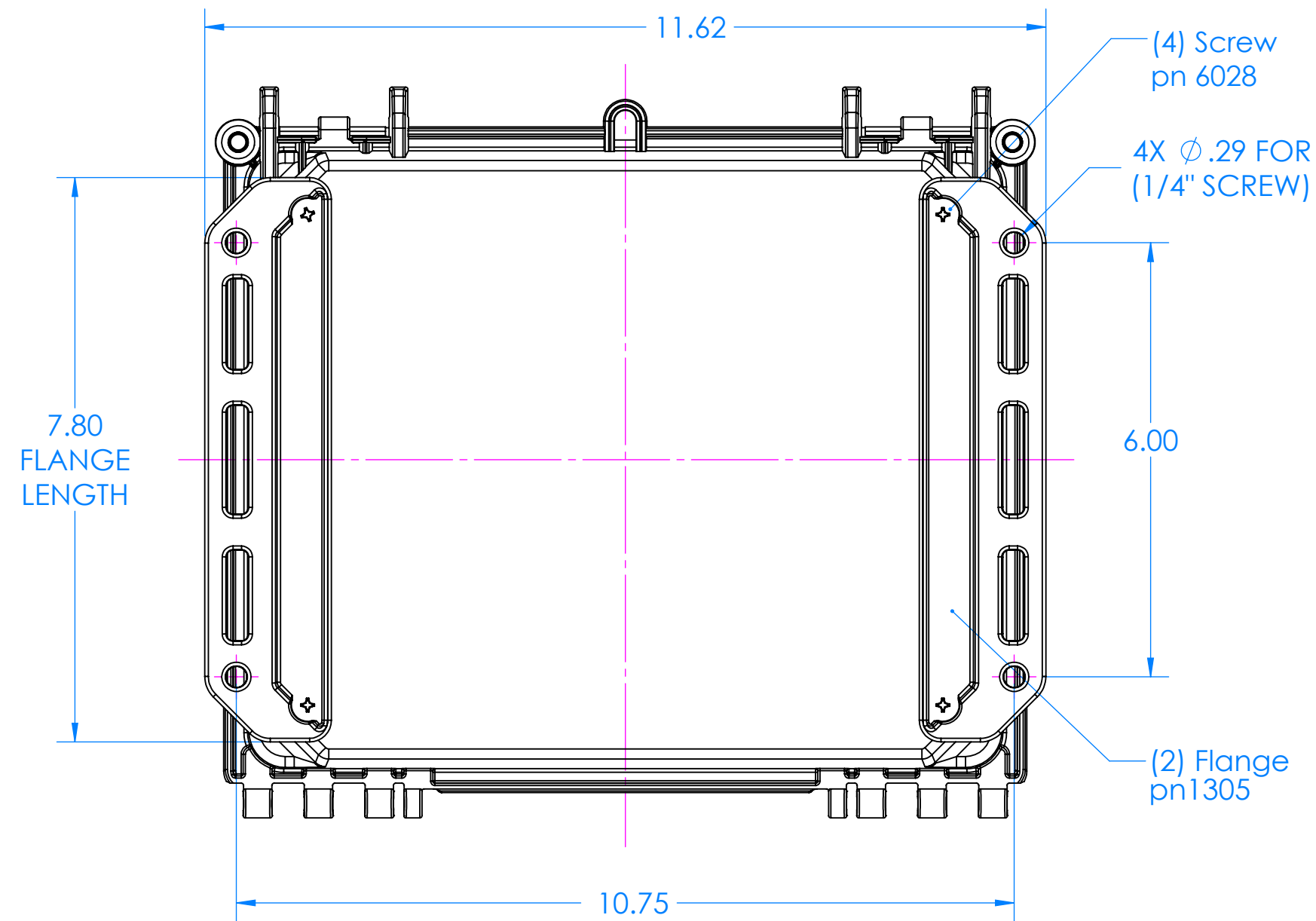
2 Mounting Brackets included, see sheet 2 for dimensions and for optional mounting Corner Feet and Brackets.

Aluminum and Plastic Panel Kits are available as options, see sheets 3-6. The aluminum panel options are:  
 Bottom Panel Kit p/n 7200B  
 Top Panel Kit p/n 7200T  
 Hinged Top Panel Kit p/n 7200TH  
 The plastic panel option is:  
 Hinged Panel Kit p/n 7200HP



- UL listed to UL 508A 4/4X standard (UL file E519183).
- Material: UV stabilized Polycarbonate Flammability V0, F1 rated material.
- Watertight enclosure meets or exceeds Nema 4 and or IP67.

PARTS INCLUDED		
P/N	Qty.	Description
I352 HLT	1	I352 Hinged Latch Top
I340 HLB	1	I340 Hinge Latch Bottom
8350	1	350 Perimeter O-ring
7011PCM	2	Safety Latch for I-series (PC)
1305	2	Mounting Bracket
6028	4	SS #10 X 5/8" Pan H/L



### STANDARD INCLUDED 1305 FLANGE KIT

Part included in Kit number 1305		
P/N	Qty.	Description
1305	2	Flange
6028	4	SS #10 X 5/8" Pan Combo H/L Screw

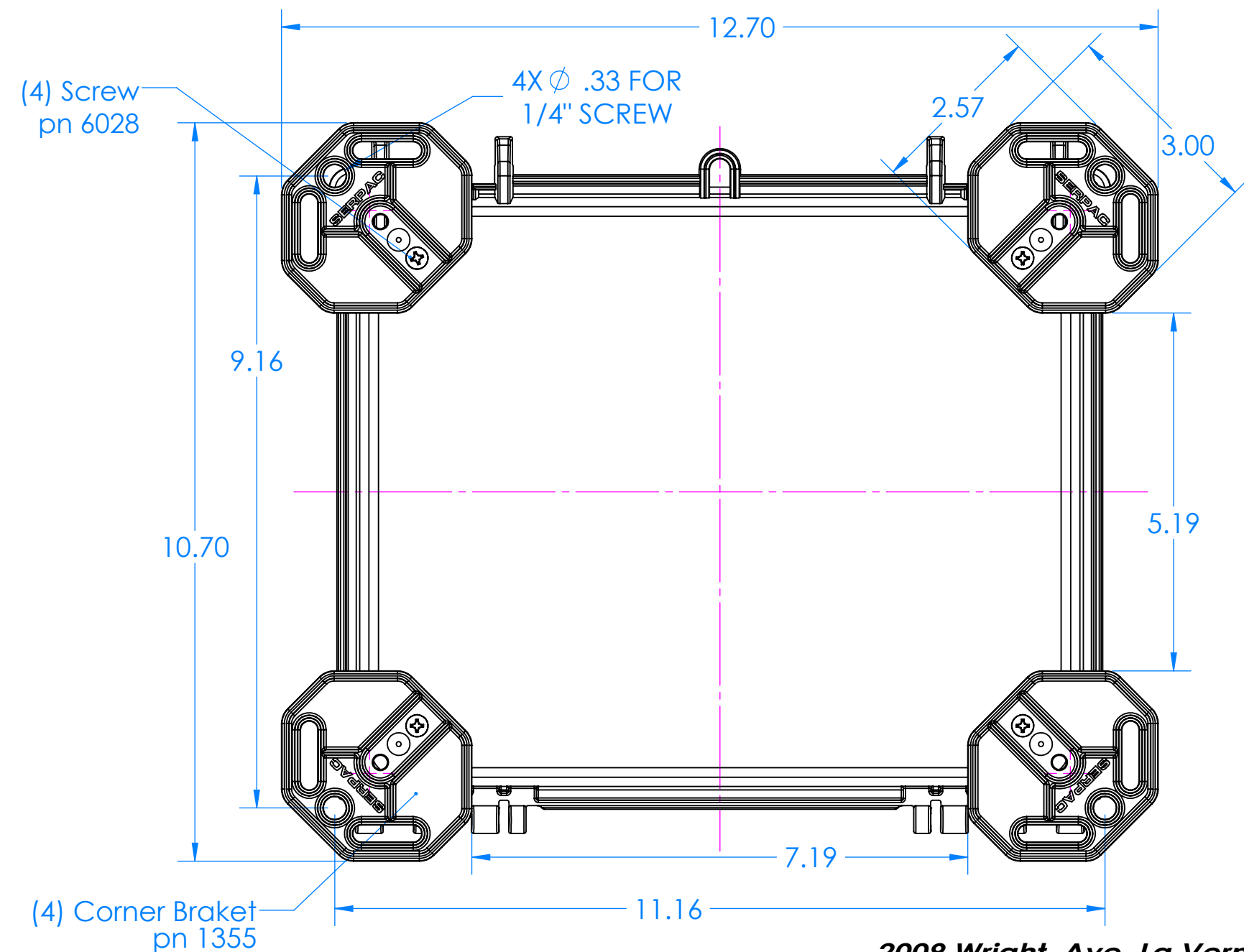
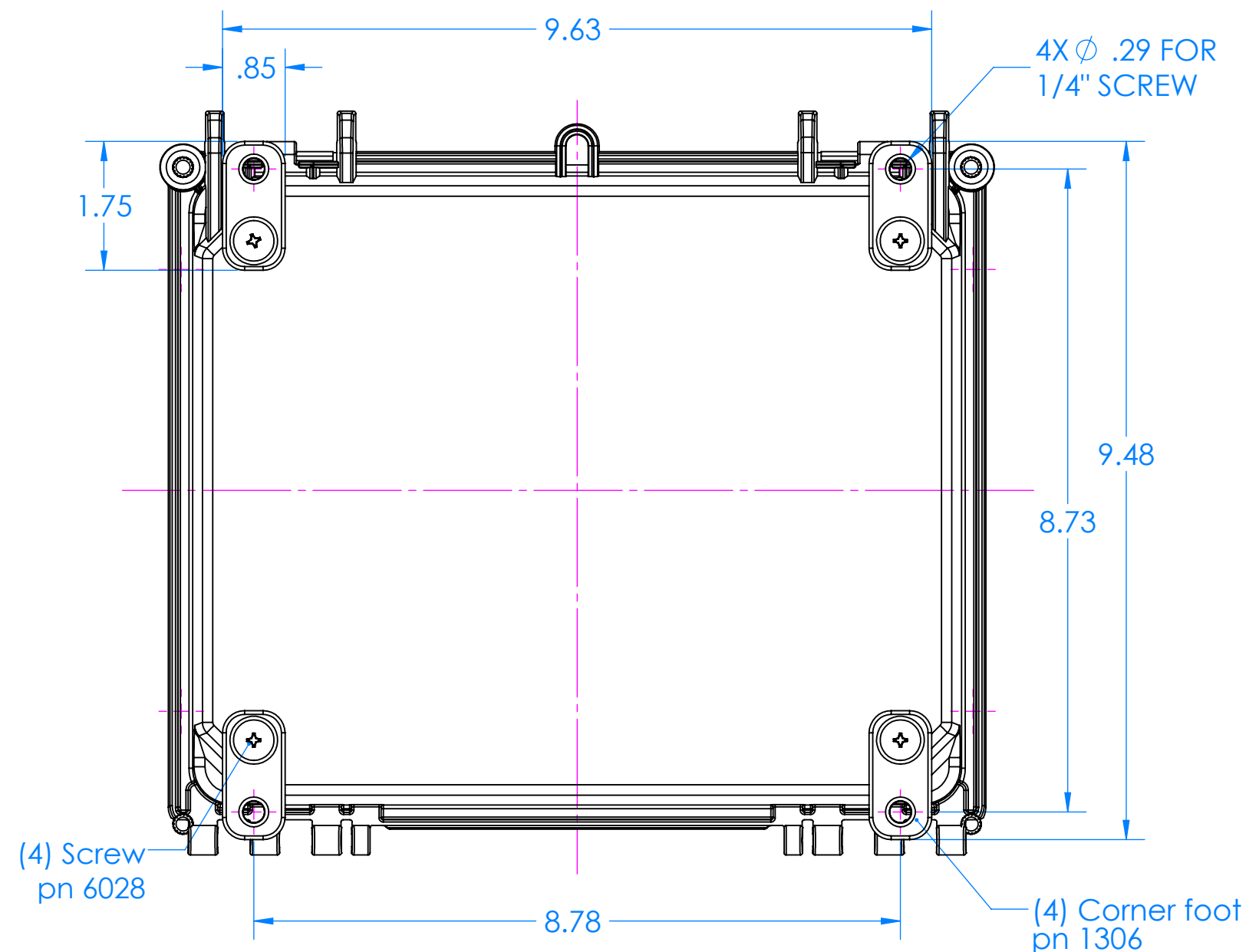
TOP & LATCHES REMOVED FOR CLARITY FROM ALL VIEWS

### OPTIONAL 1306 CORNER FEET KIT

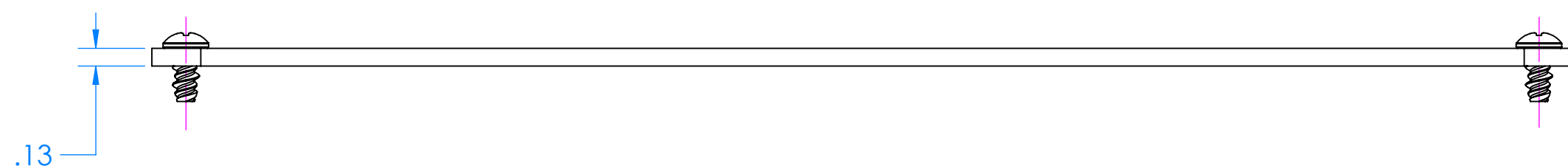
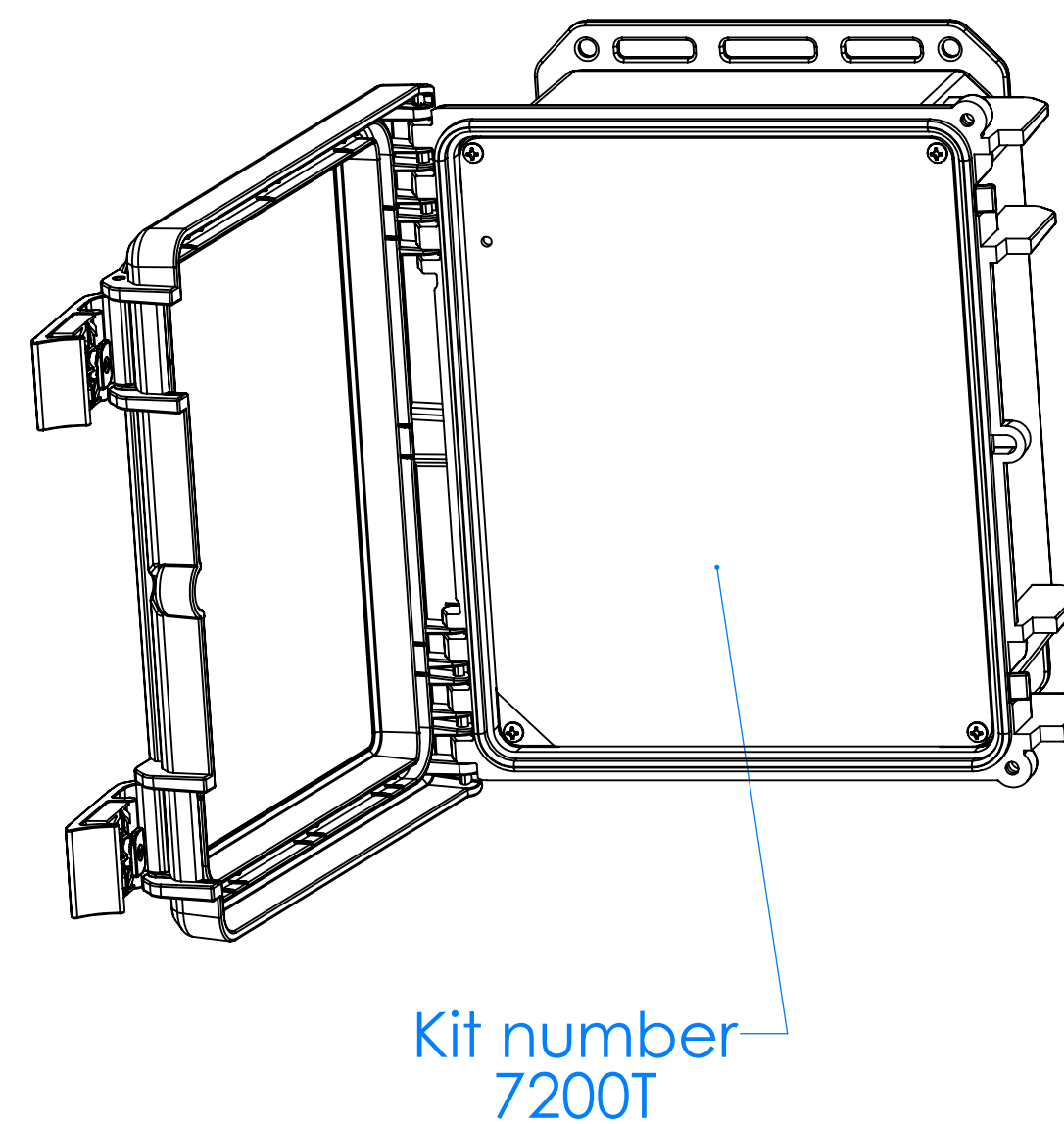
Part included in Kit number 1306		
P/N	Qty.	Description
1306	4	Mounting Corner Foot
6028	4	SS #10 X 5/8" Pan Combo H/L Screw

### OPTIONAL 1355 CORNER BRACKETS KIT

Part included in Kit number 1355		
P/N	Qty.	Description
1355	4	Mounting Corner Bracket
6028	4	SS #10 X 5/8" Pan Combo H/L Screw



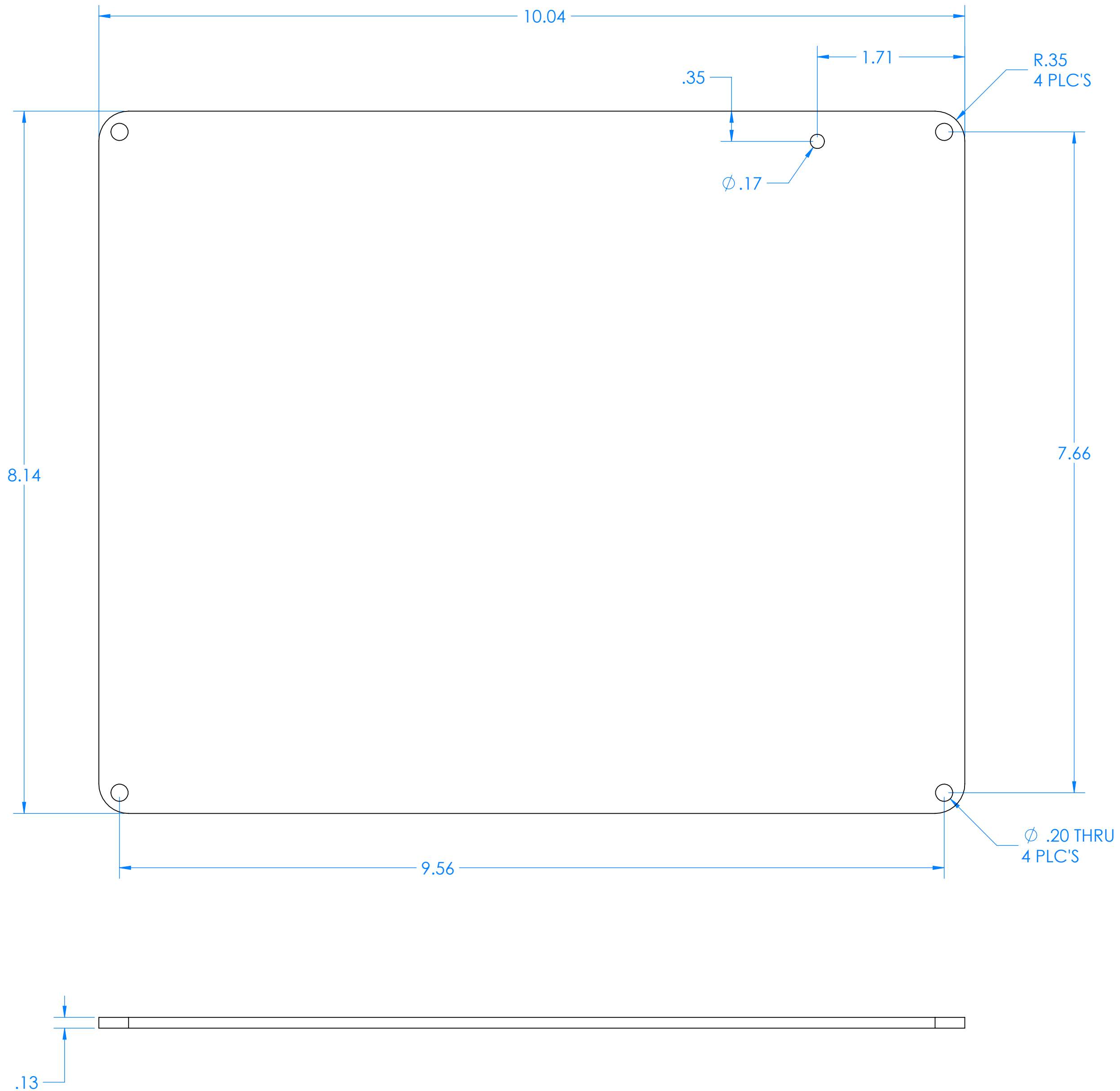
# 7200T Aluminum Top Panel Kit for 352HL, 342HL, 352HS, 342HS, 352S and 342S



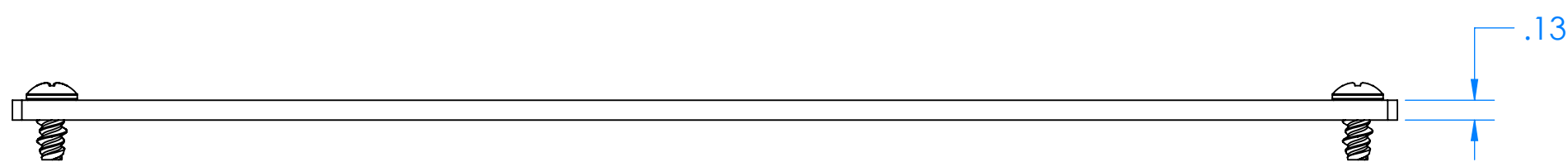
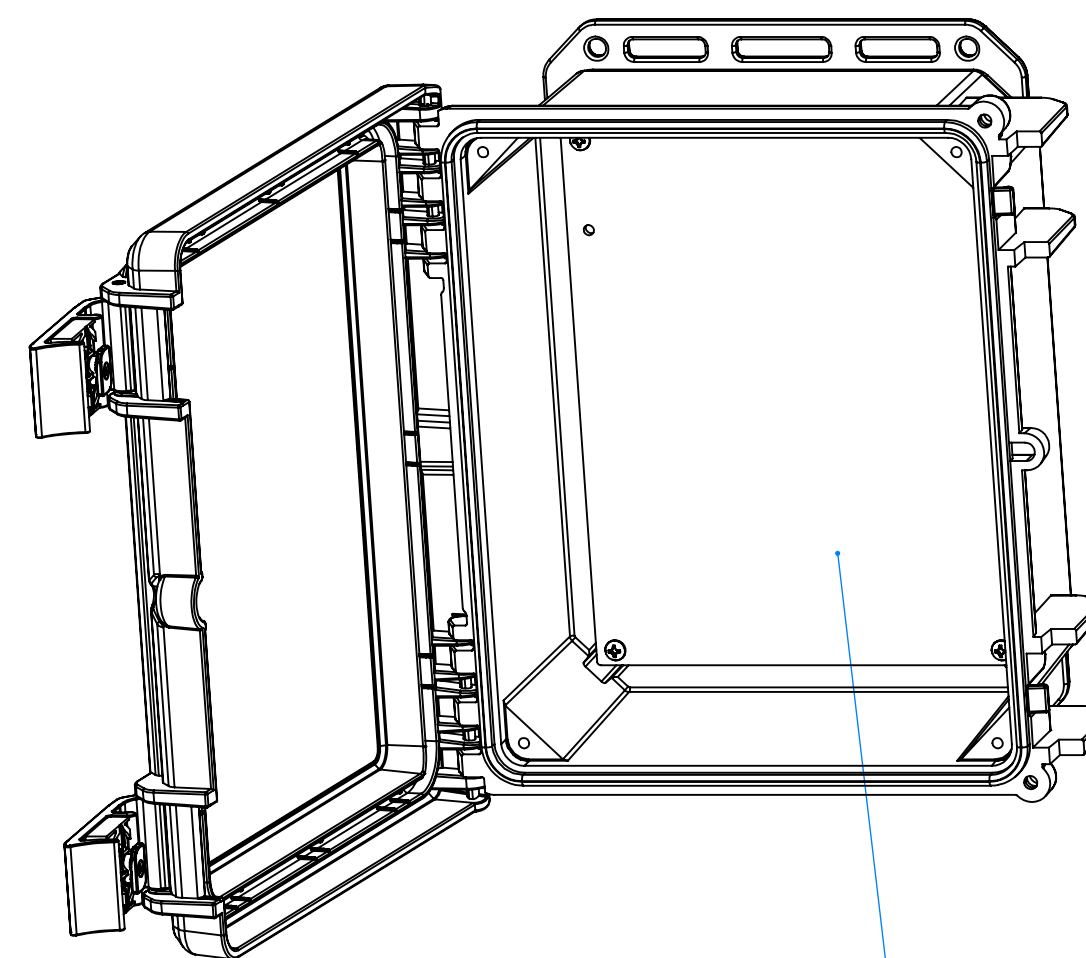
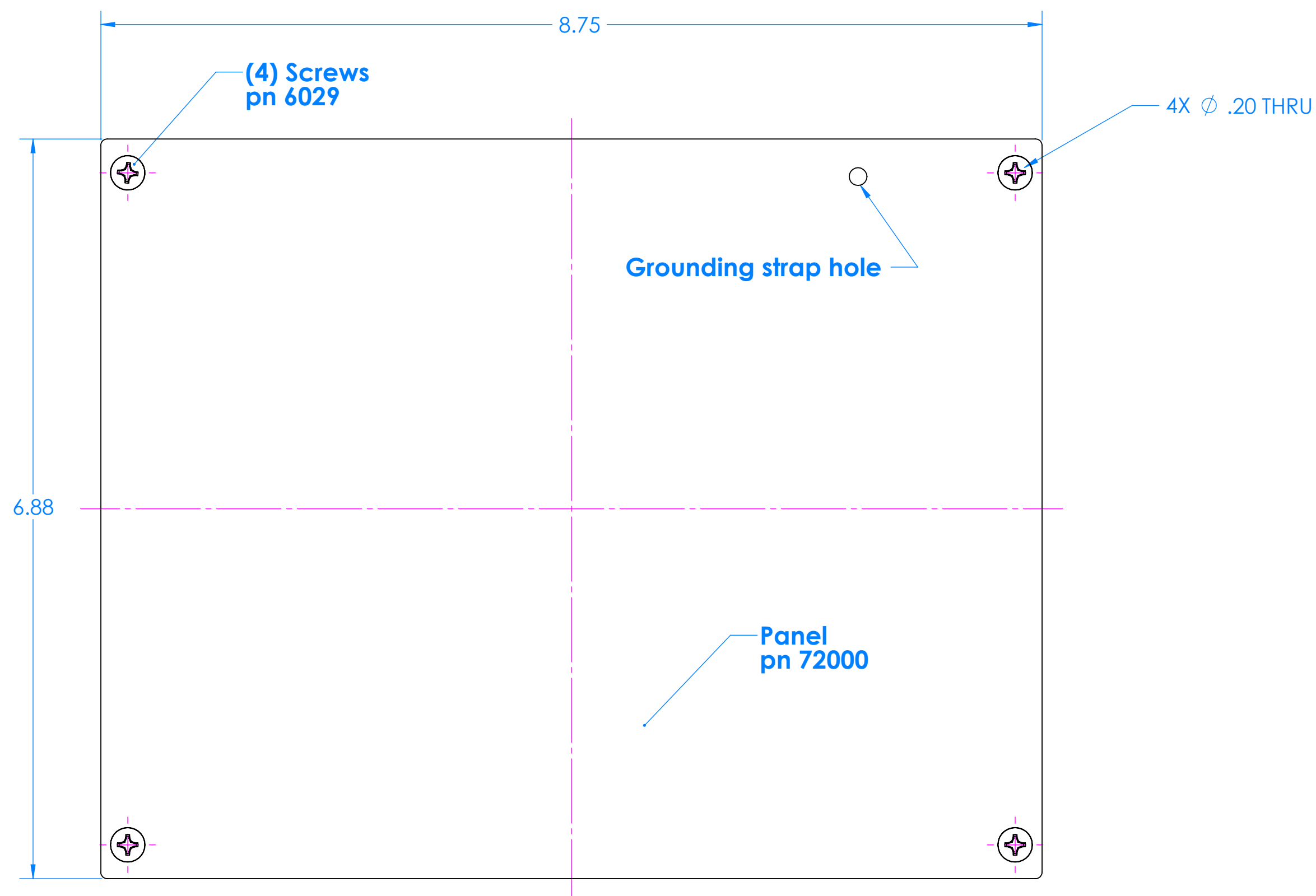
Part included in Kit number 7200T		
P/N	Qty.	Description
72040	1	Aluminum Top Panel
6029	4	SS #10 X 3/8" Pan HL Screw

# 72040 Aluminum Top Panel

352HL, 342HL, 352HS, 342HS, 352S and 342S



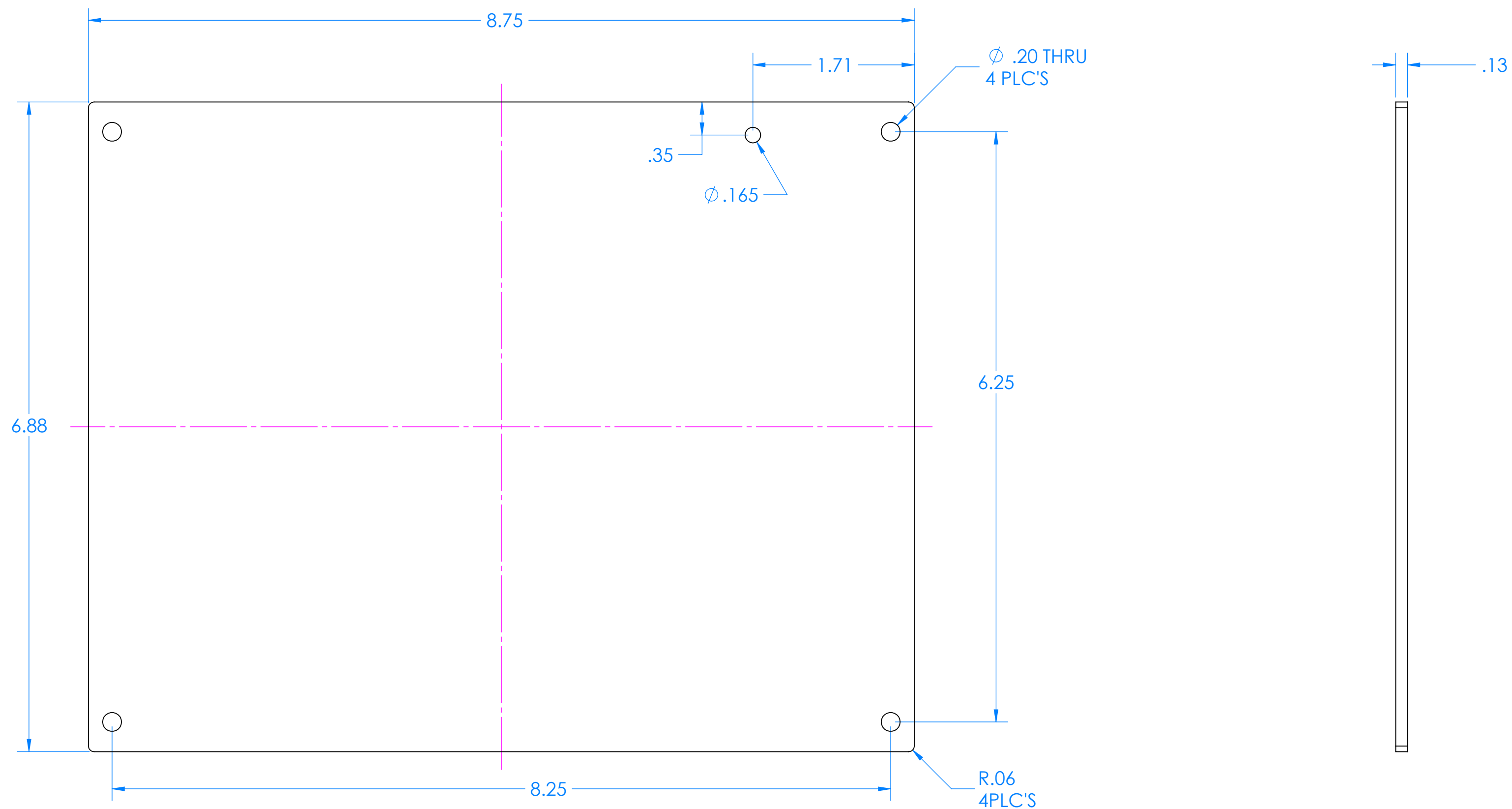
# 7200B Aluminum Bottom Panel Kit for 352HL, 342HL, 352HS, 342HS, 352S and 342S



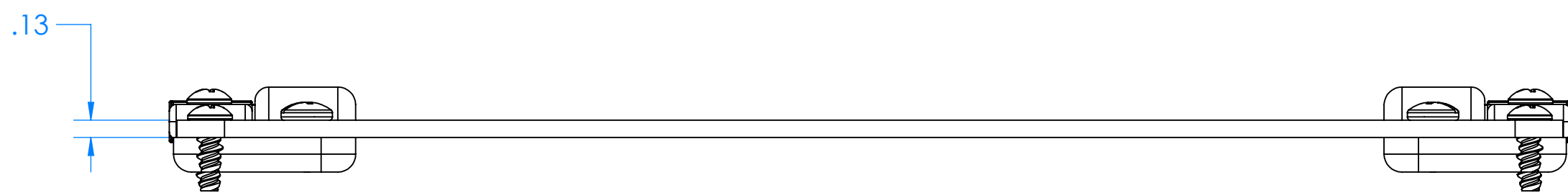
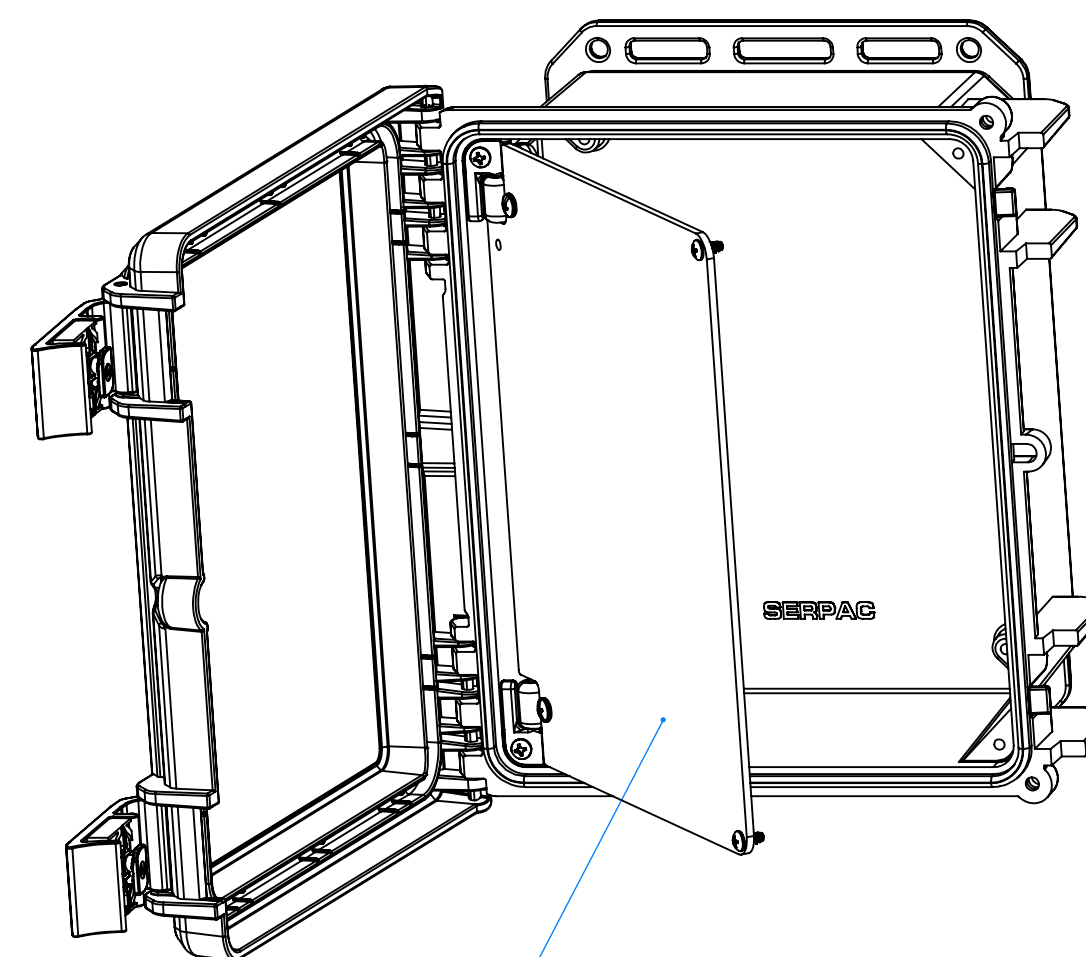
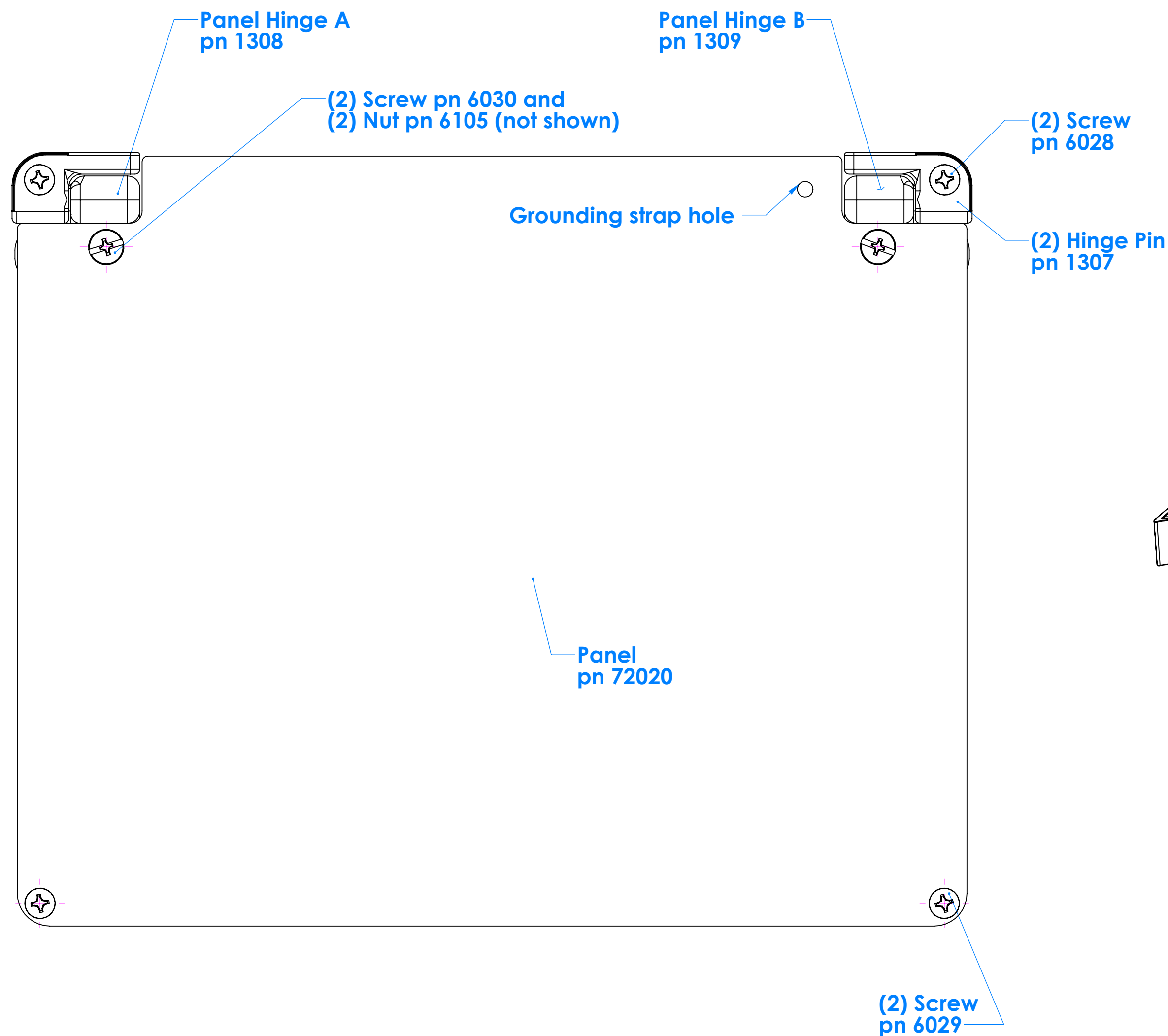
Part included in Kit number 7200B		
P/N	Qty.	Description
72000	1	Aluminum Bottom Panel
6029	4	SS #10 X 3/8" Pan HL Screw

# 72000 Aluminum Bottom Panel

352HL, 342HL, 352HS, 342HS, 352S and 342S



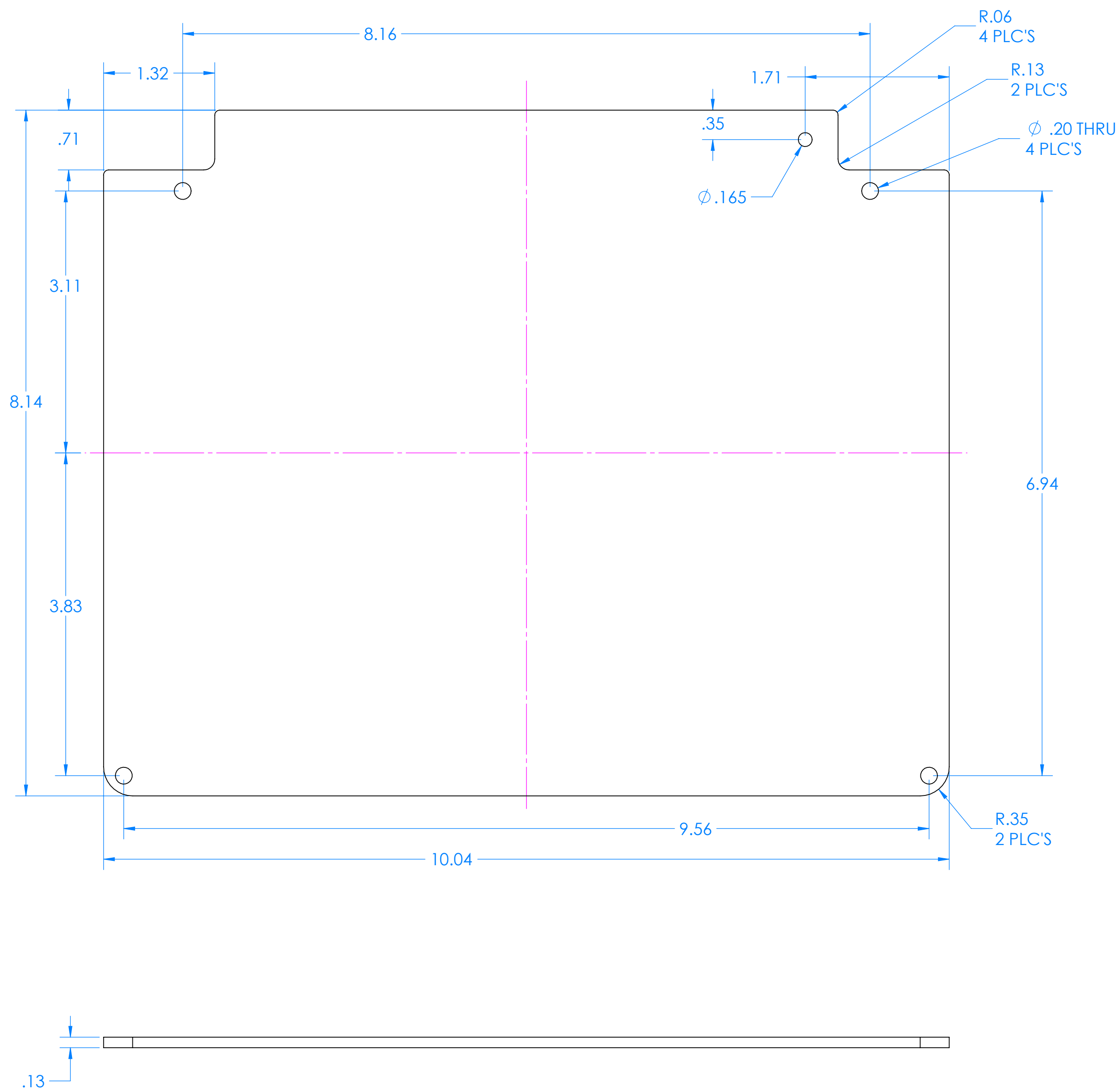
# 7200TH Aluminum Hinged Top Panel Kit for 352HL, 342HL, 352HS, 342HS, 352S and 342S



Part included in Kit number 7200TH		
P/N	Qty.	Description
72020	1	Aluminum Hinged Top Panel
6029	2	SS #10 X 3/8" Pan H/L Screw
6030	2	SS #10-32 X 3/8" PH-PN Combo Screw
6105	2	SS #10-32 Hex Nut Plain
6028	2	SS #10 X 5/8" Pan H/L Screw
1307	2	Hinge Pin
1308	1	Panel Hinge A
1309	1	Panel Hinge B

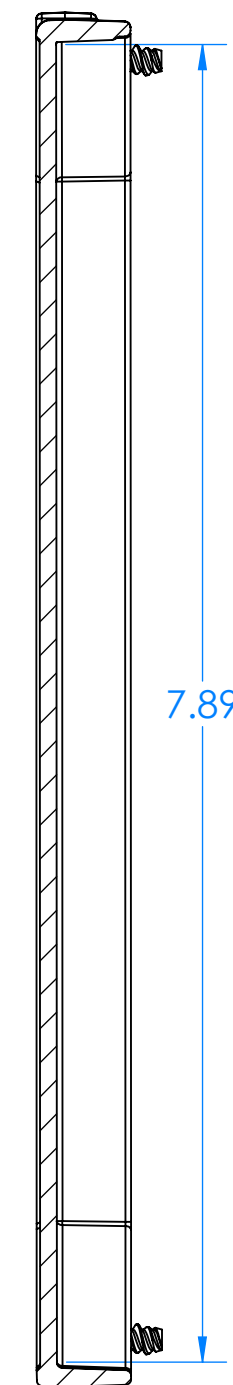
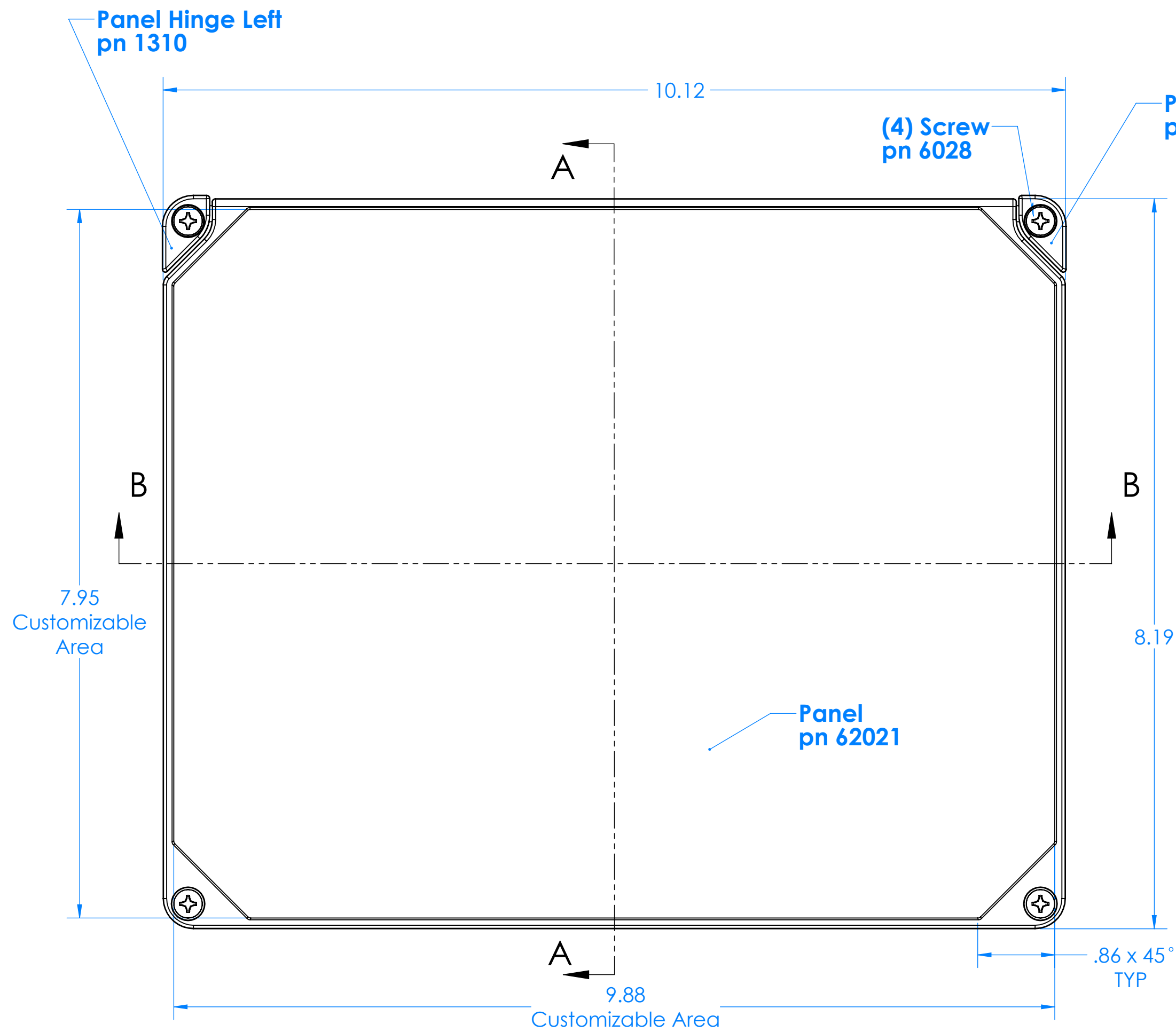
# 72020 Aluminum Hinged Top Panel

352HL, 342HL, 352HS, 342HS, 352S and 342S

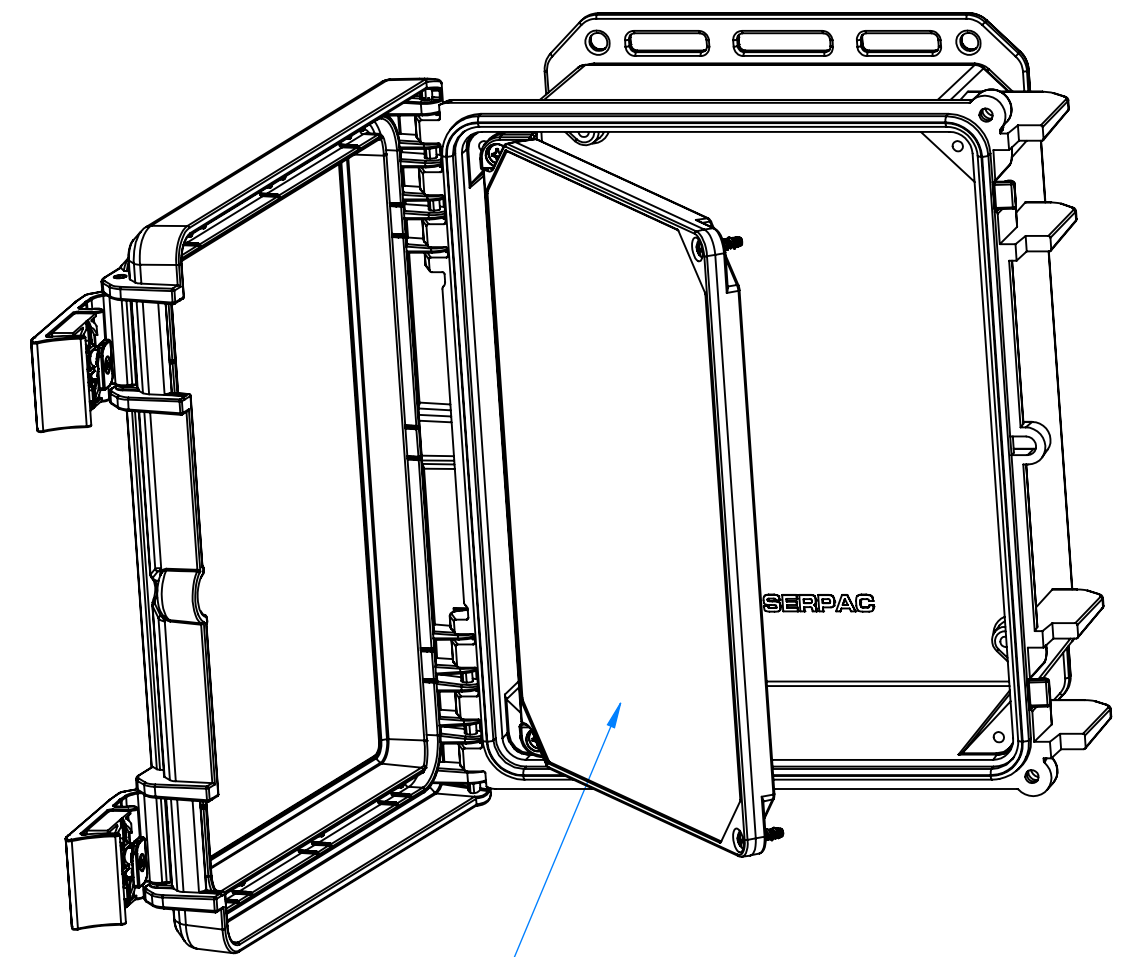




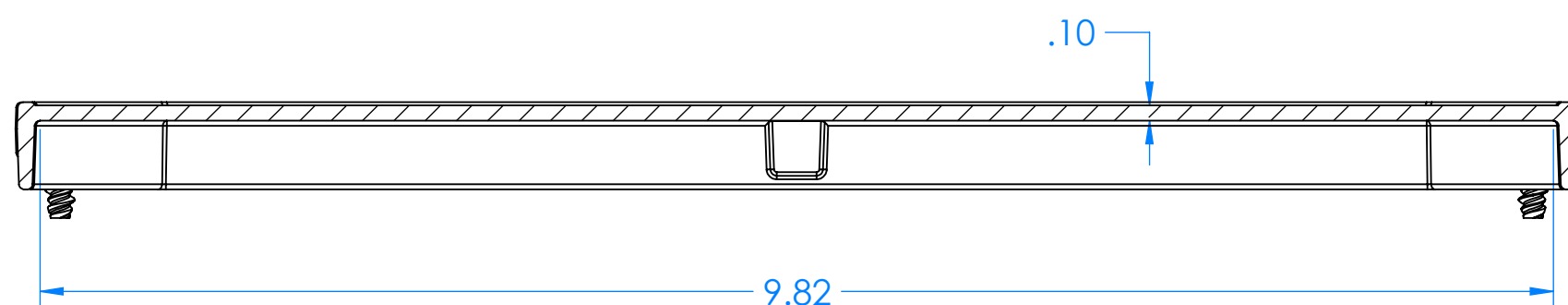
# 7200HP Plastic Hinged Top Panel Kit for 352HL, 342HL, 352HS, 342HS, 352S and 342S



**SECTION  
A-A**



Kit number  
7200HP

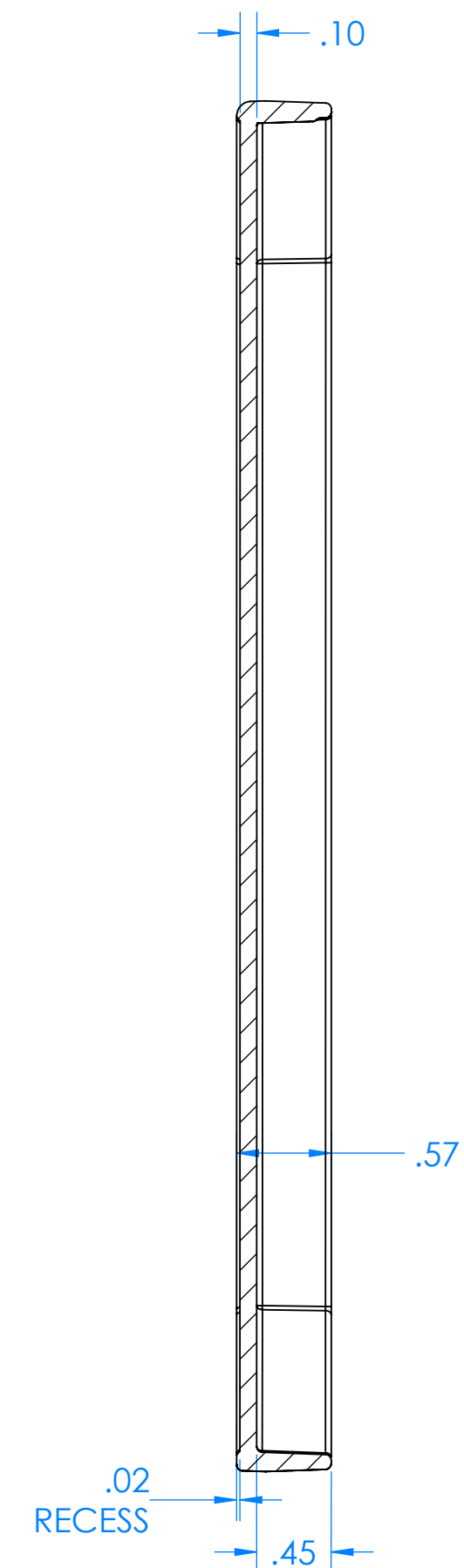
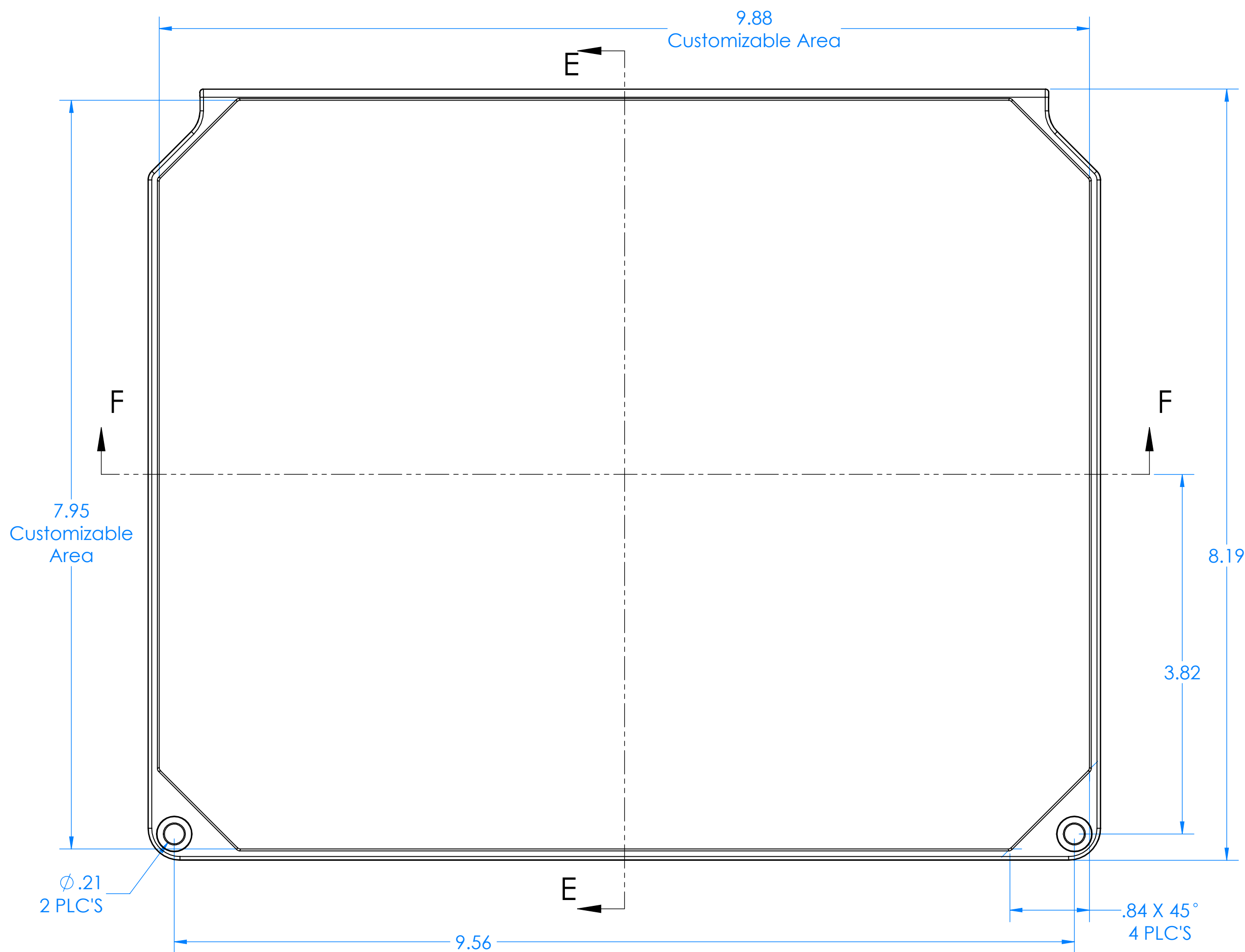


**SECTION  
B-B**

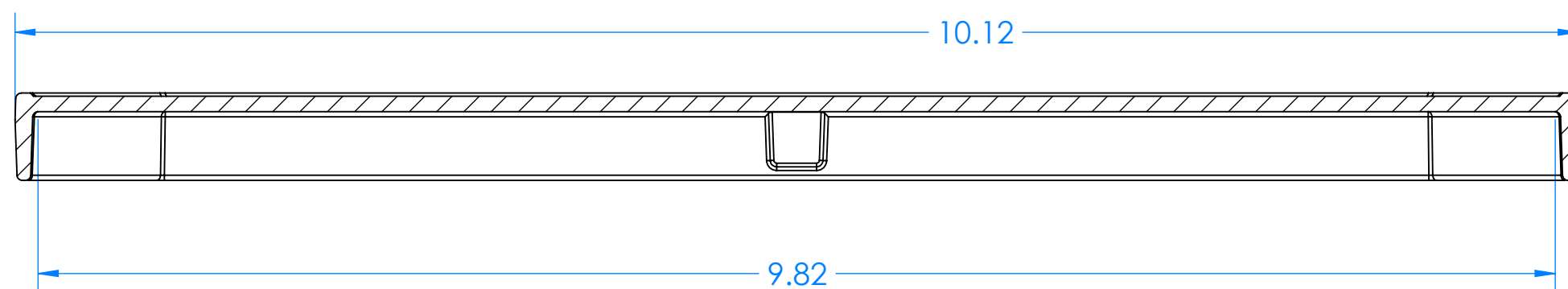
Parts Included in kit number 7200HP		
P/N	Qty.	Description
72021	1	Plastic Hinged Top Panel
1310	1	Panel Hinge Left
1311	1	Panel Hinge Right
6028	4	SS #10 X 5/8" Pan H/L Screw

# 72021 Plastic Hinged Top Panel

## 352HL, 342HL, 352HS, 342HS, 352S and 342S



**SECTION E-E**



**SECTION F-F**

## X-ON Electronics

Largest Supplier of Electrical and Electronic Components

*Click to view similar products for [Electrical Enclosures](#) category:*

*Click to view products by [SERPAC](#) manufacturer:*

Other Similar products are found below :

[120-403](#) [MR-25L+](#) [110-402](#) [A242012LP](#) [A16N12BLP](#) [111-005](#) [9511096](#) [9511016](#) [PC 30/25-FC3](#) [127-406](#) [127-906](#) [79021101](#) [EKIV 17](#)  
[EKIV 37](#) [2327000](#) [2534100](#) [18600801](#) [19001201](#) [19001301](#) [19501001](#) [19701101](#) [19600901](#) [TM 0808](#) [TRH 24](#) [A317SEAL](#) [A3735SEAL](#)  
[A3783SEAL](#) [X16C LGR-TR](#) [X25C LGR-TR](#) [T 160 OE HD LGR](#) [T 350 OE HD LGR](#) [T 60 M20](#) [T 60 M20 NL](#) [SDB 03 PS](#) [P2018SEAL](#)  
[2763-00](#) [2765-00](#) [2761-00](#) [00 070](#) [00 071](#) [0212-00](#) [0213-00](#) [0217-00](#) [0221-00](#) [0222-00](#) [0224-00](#) [0225-00](#) [0226-00](#) [0226-10](#) [0226-11](#)