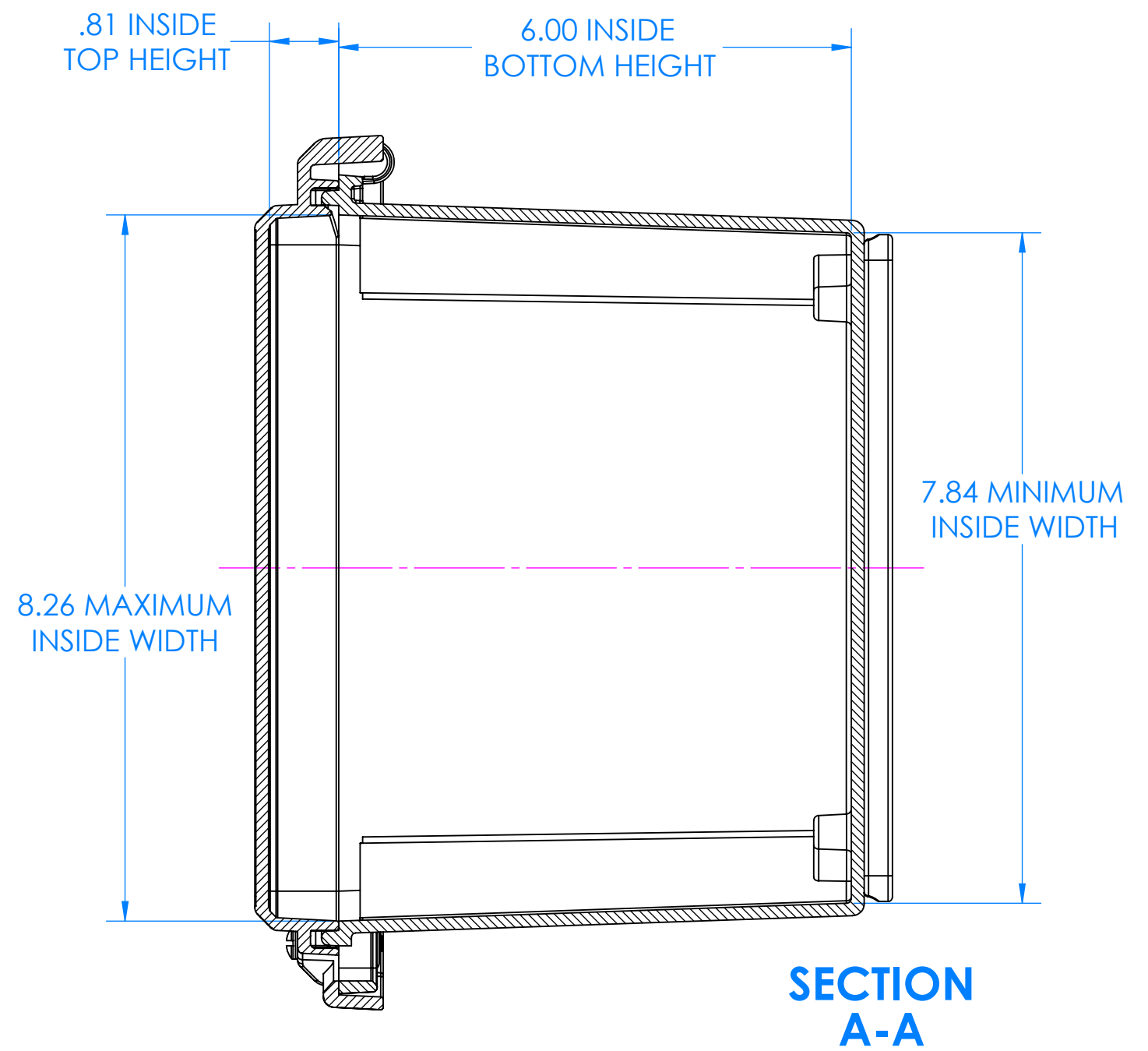
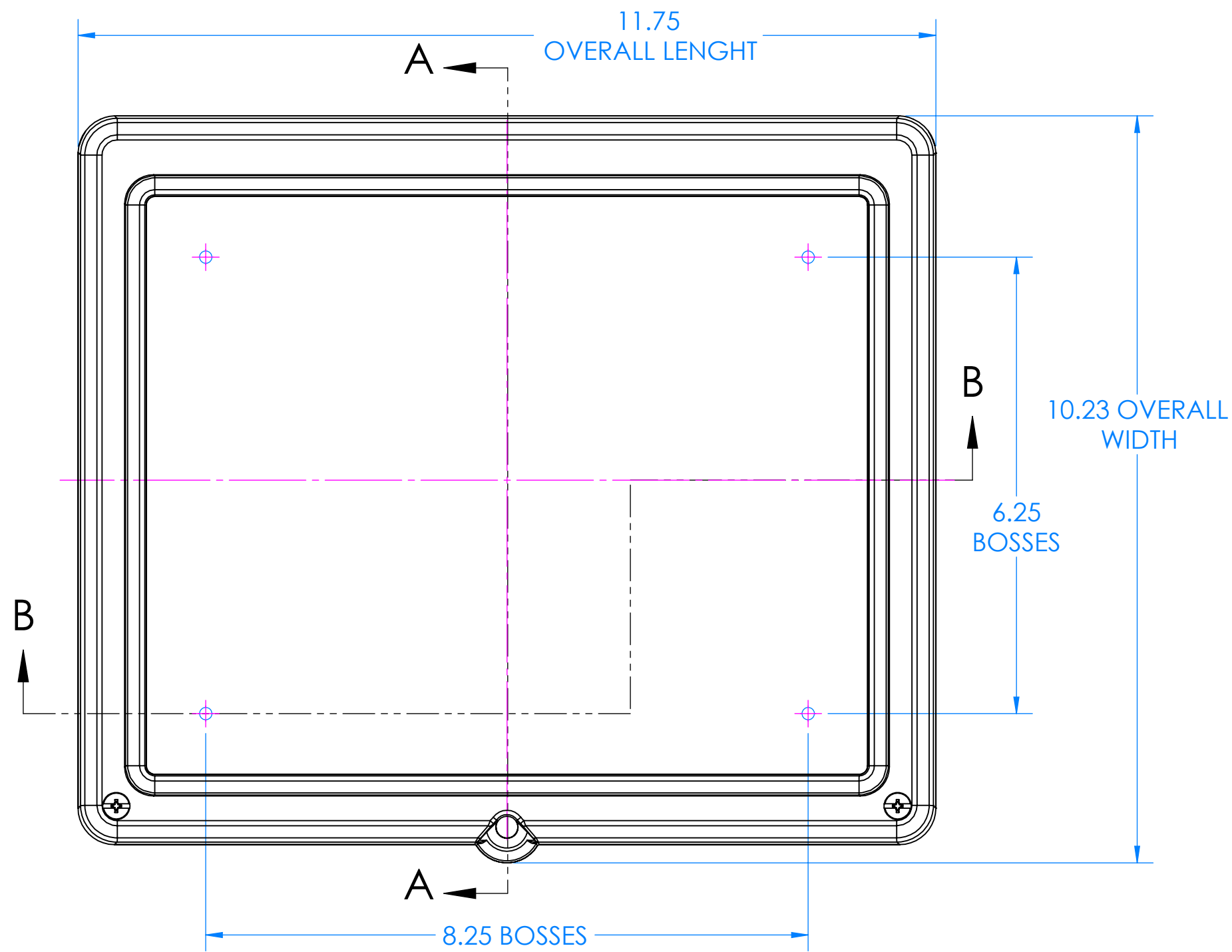


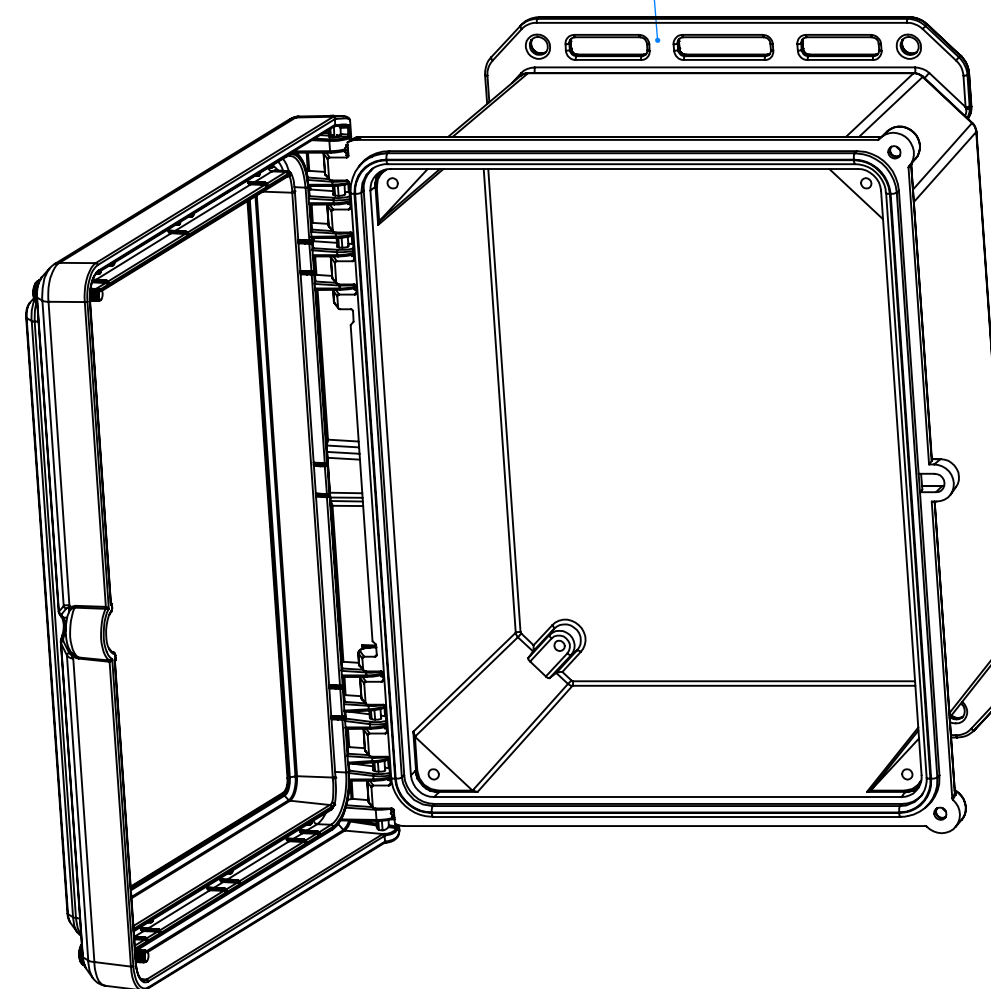
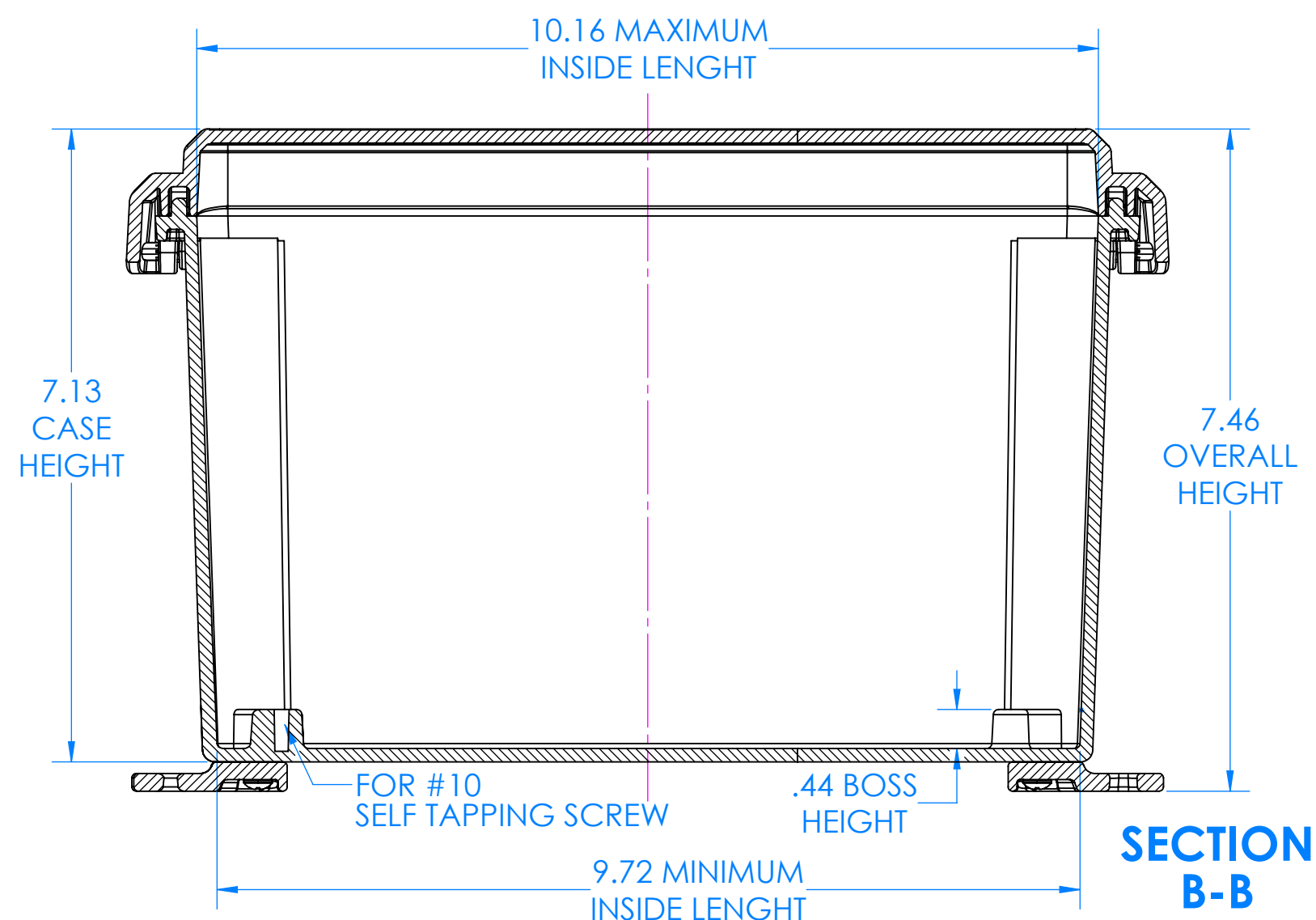
SERPAC I352HS

Electronic Enclosures



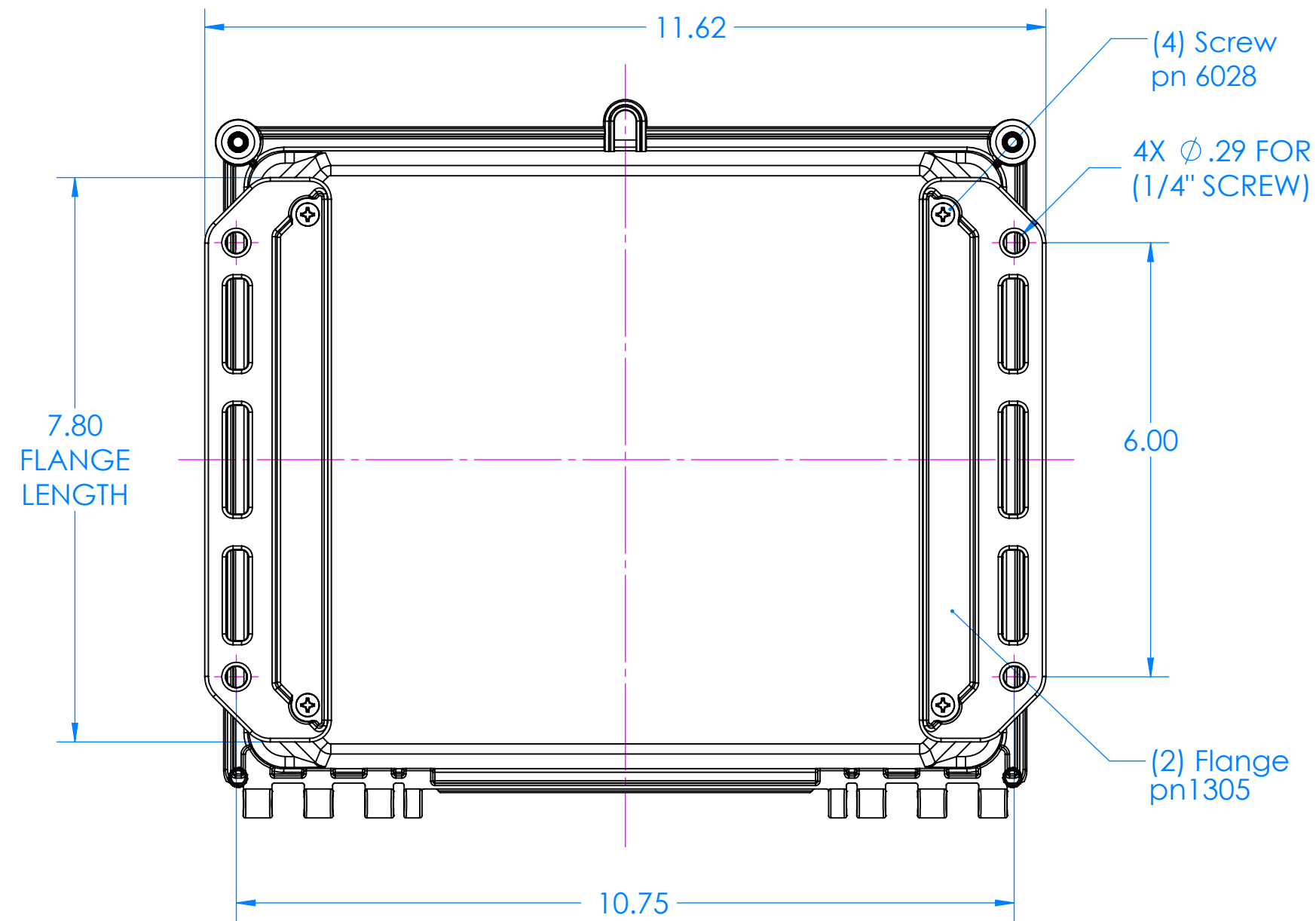
2 Mounting Brackets included, see sheet 2 for dimensions and for optional mounting Corner Feet and Brackets.

Aluminum and Plastic Panel Kits are available as options, see sheets 3-6. The aluminum panel options are:
 Bottom Panel Kit p/n 7200B
 Top Panel Kit p/n 7200T
 Hinged Top Panel Kit p/n 7200TH
 The plastic panel option is:
 Hinged Panel Kit p/n 7200HP



- UL listed to UL 508A 4/4X standard (UL file E519183).
- Material: UV stabilized Polycarbonate Flammability V0, F1 rated material.
- Watertight enclosure meets or exceeds Nema 4 and or IP67.

| PARTS INCLUDED | | |
|----------------|------|-------------------------|
| P/N | Qty. | Description |
| I352 HST | 1 | I352 Hinged Screw Top |
| I350 HSB | 1 | I350 Hinge Screw Bottom |
| 8350 | 1 | 350 Perimeter O-ring |
| 6031 | 2 | 10-32 X 1" Screw |
| 6104 | 2 | 10-32 Threaded insert |
| 8001 | 2 | SS #10 X 5/8" Pan H/L |
| 1305 | 2 | Mounting Bracket |
| 6028 | 4 | SS #10 X 5/8" Pan H/L |



INCLUDED STANDARD 1305 FLANGE KIT

| Part included in Kit number 1305 | | |
|----------------------------------|------|-----------------------------------|
| P/N | Qty. | Description |
| 1305 | 2 | Flange |
| 6028 | 4 | SS #10 X 5/8" Pan Combo H/L Screw |

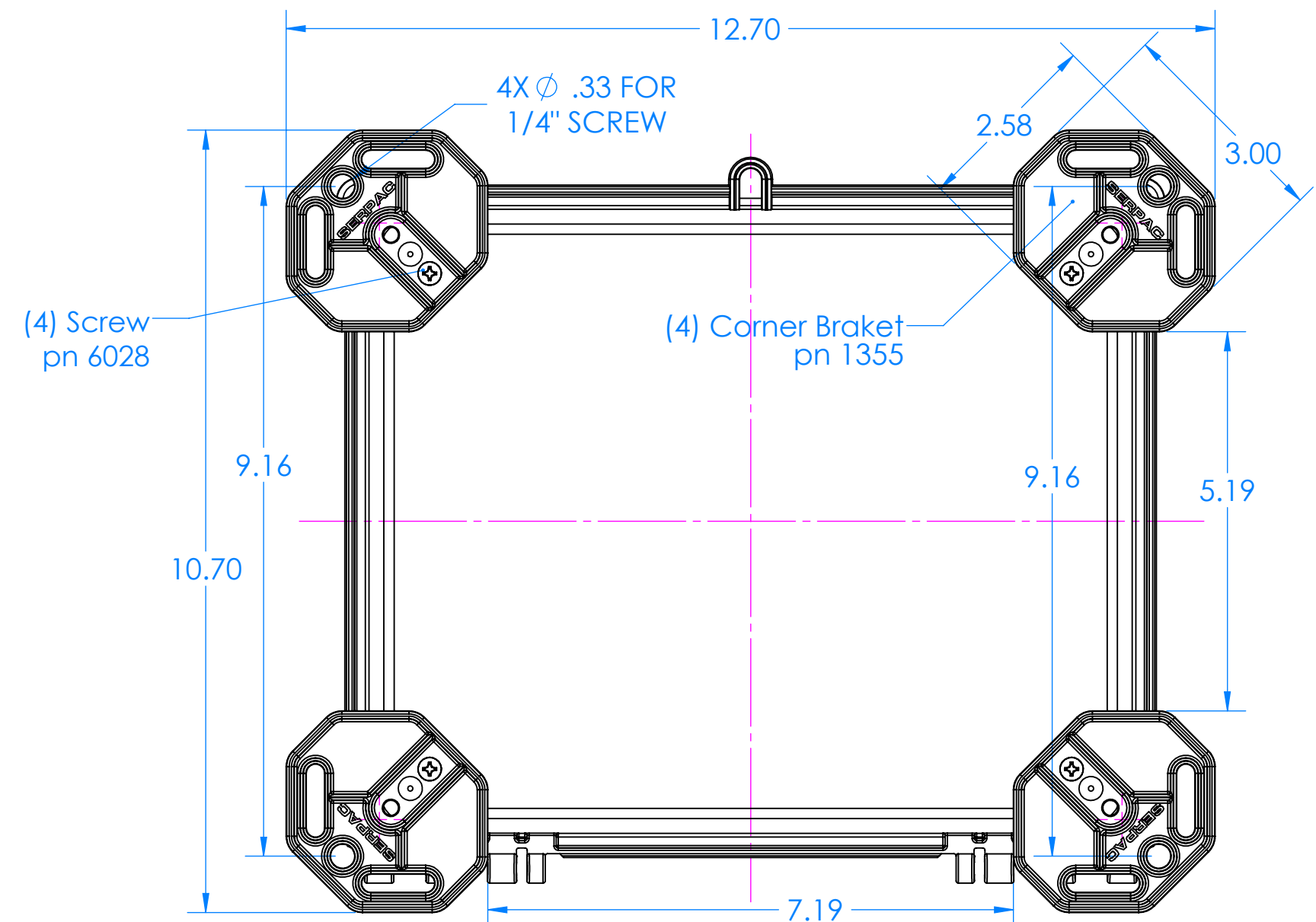
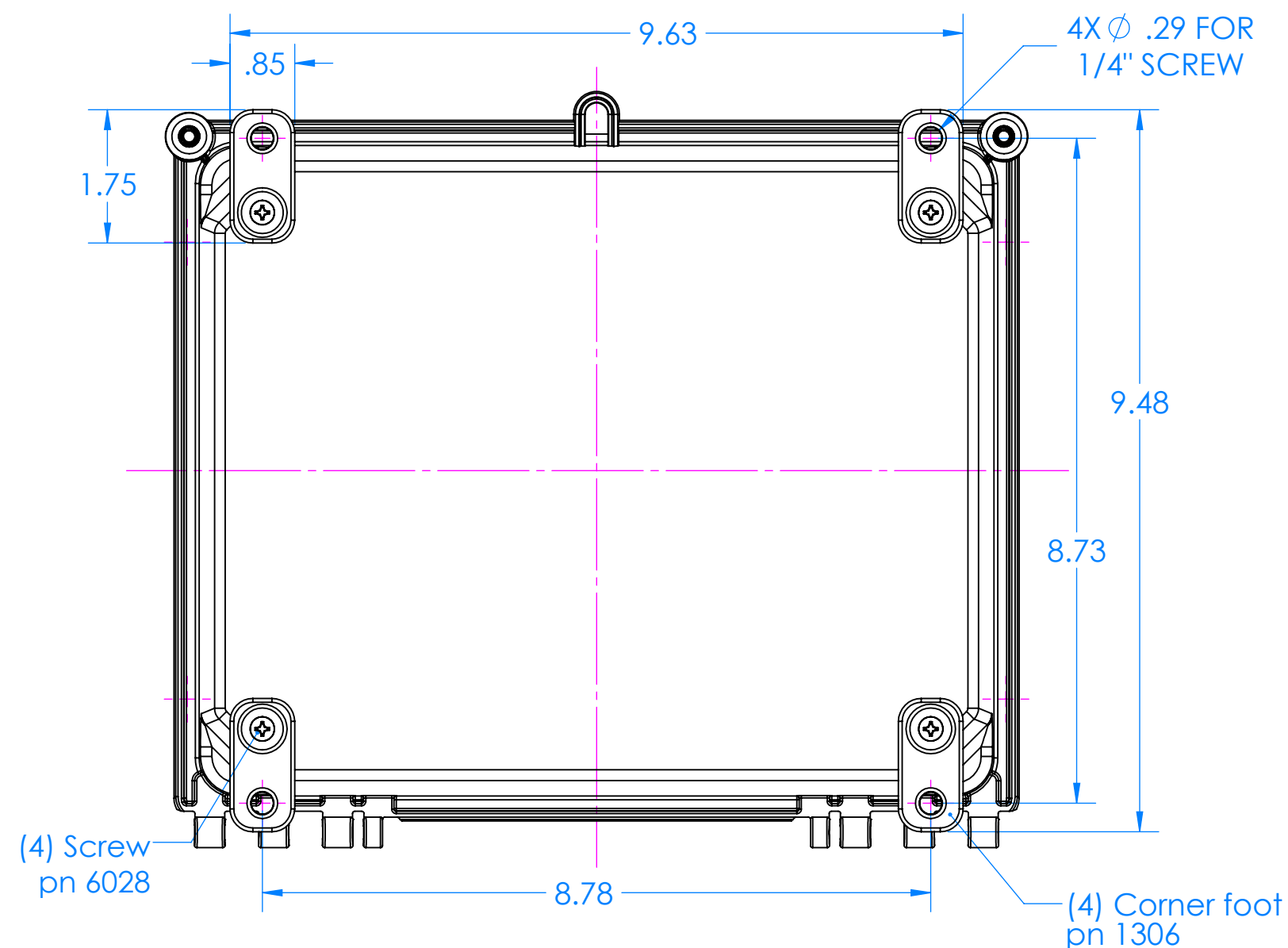
TOP & LATCHES REMOVED FOR CLARITY FROM ALL VIEWS

OPTIONAL 1306 CORNER FEET KIT

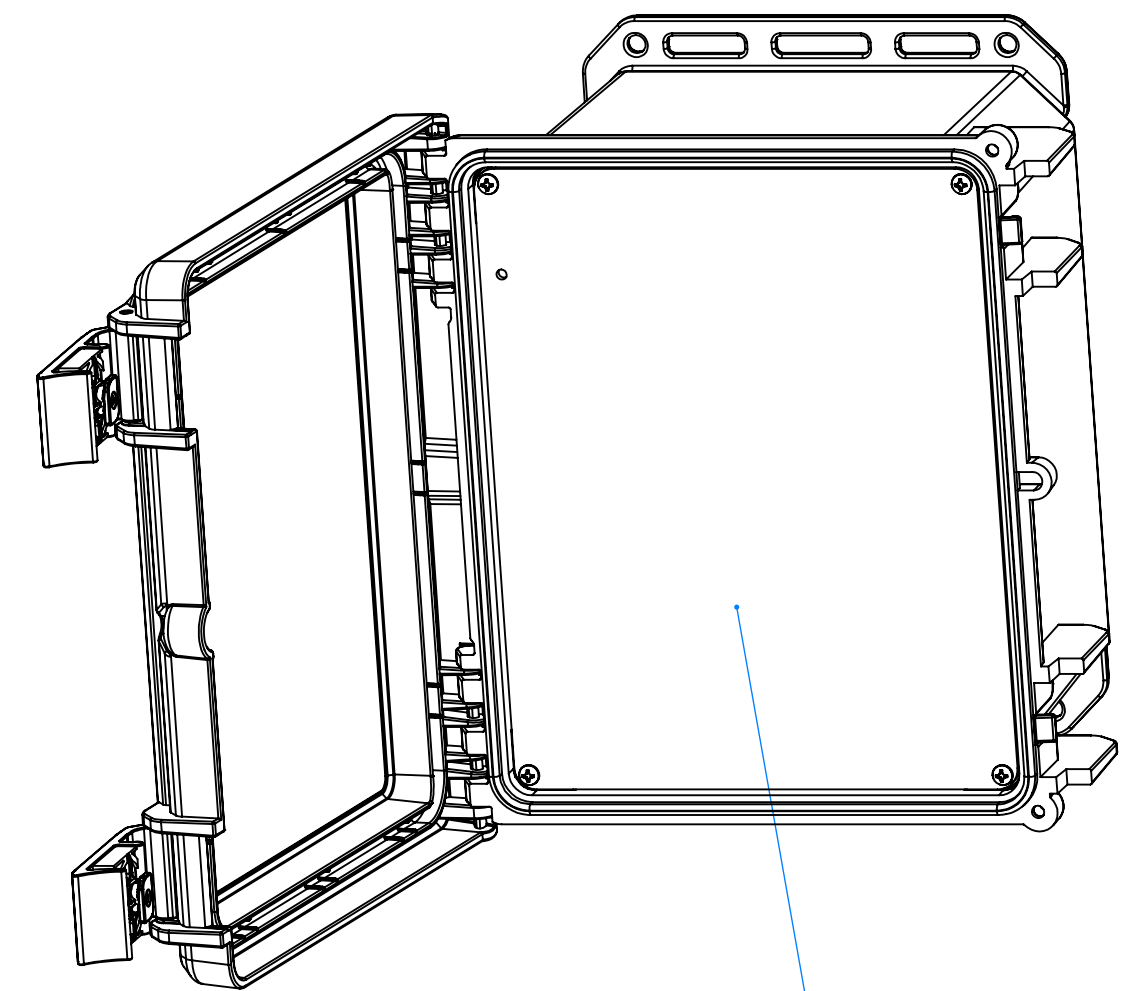
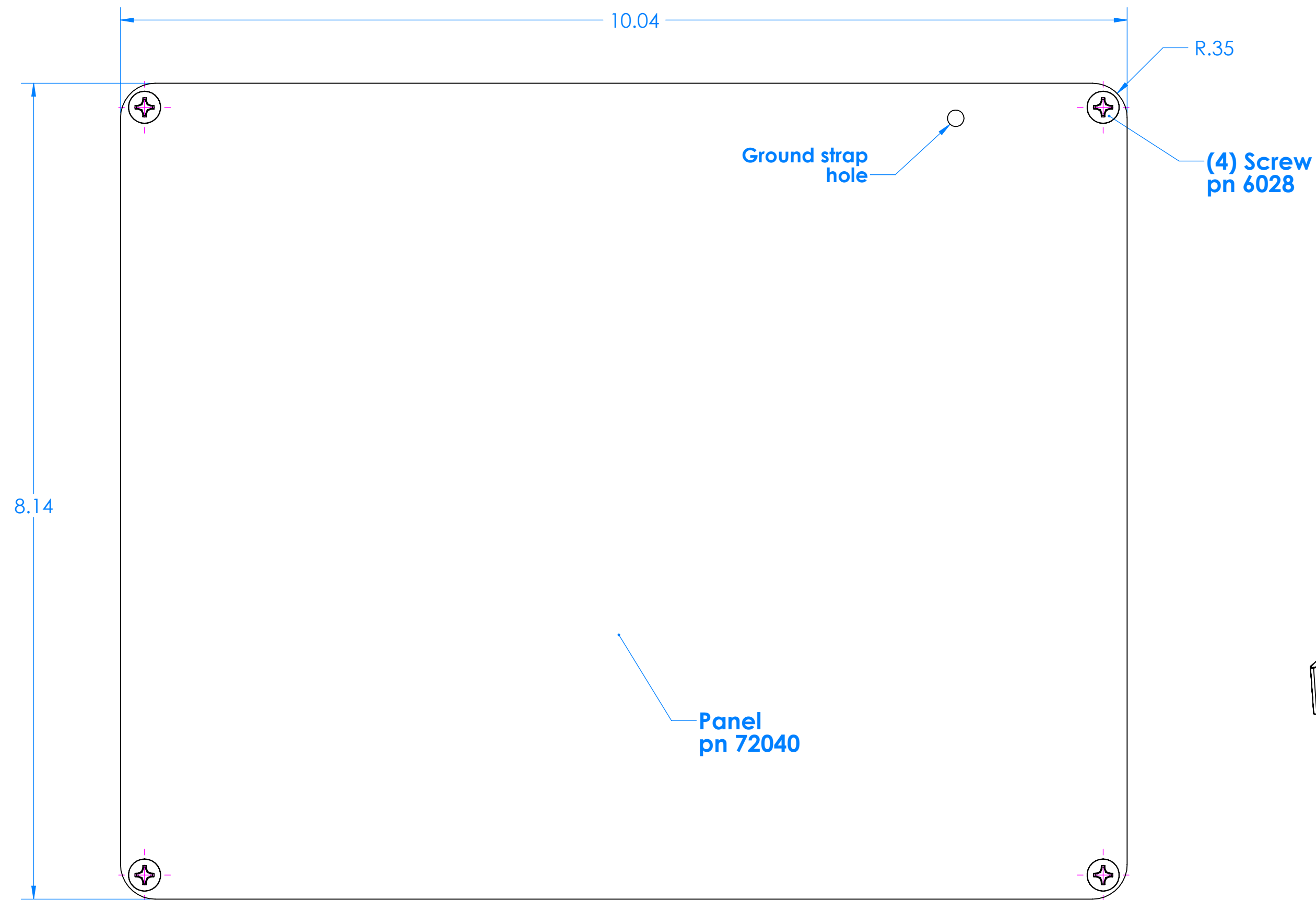
| Part included in Kit number 1306 | | |
|----------------------------------|------|-----------------------------------|
| P/N | Qty. | Description |
| 1306 | 4 | Mounting Corner Foot |
| 6028 | 4 | SS #10 X 5/8" Pan Combo H/L Screw |

OPTIONAL 1355 CORNER BRACKETS KIT

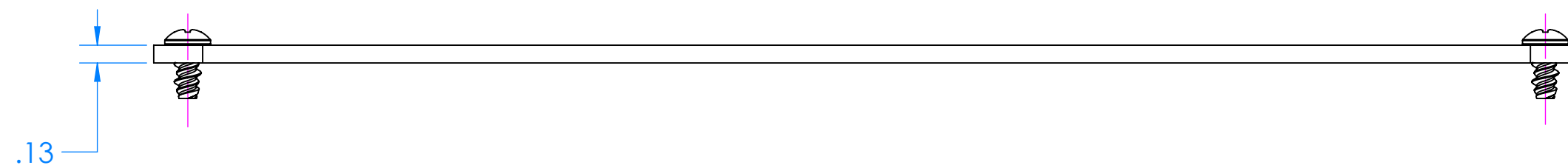
| Part included in Kit number 1355 | | |
|----------------------------------|------|-----------------------------------|
| P/N | Qty. | Description |
| 1355 | 4 | Mounting Corner Bracket |
| 6028 | 4 | SS #10 X 5/8" Pan Combo H/L Screw |



7200T Aluminum Top Panel Kit for 352HL, 342HL, 352HS, 342HS, 352S and 342S



Optional kit
pn 7200T

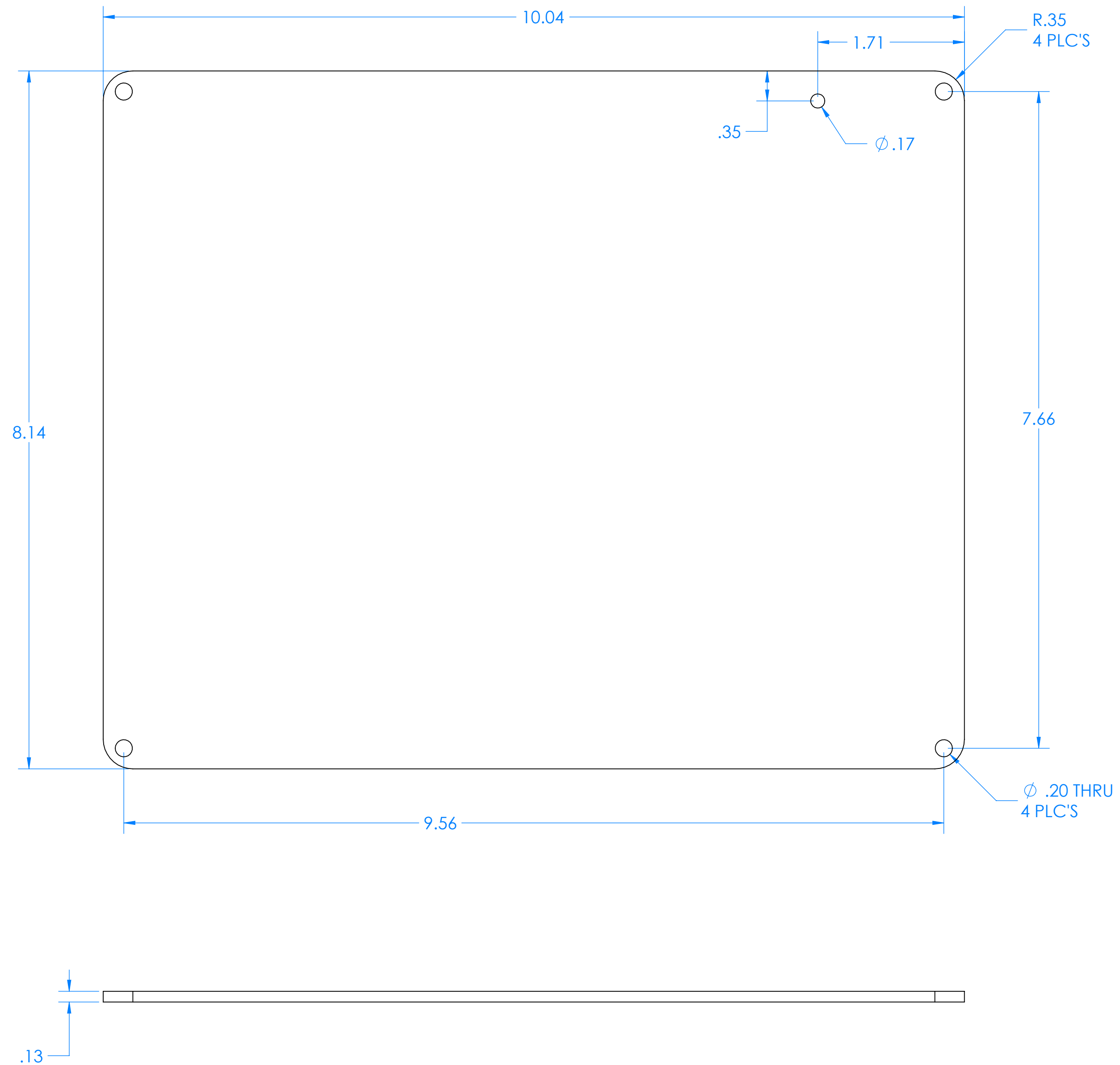


| Part included in Kit number 7200T | | |
|-----------------------------------|------|----------------------------|
| P/N | Qty. | Description |
| 72040 | 1 | Aluminum Top Panel |
| 6029 | 4 | SS #10 X 3/8" Pan HL Screw |

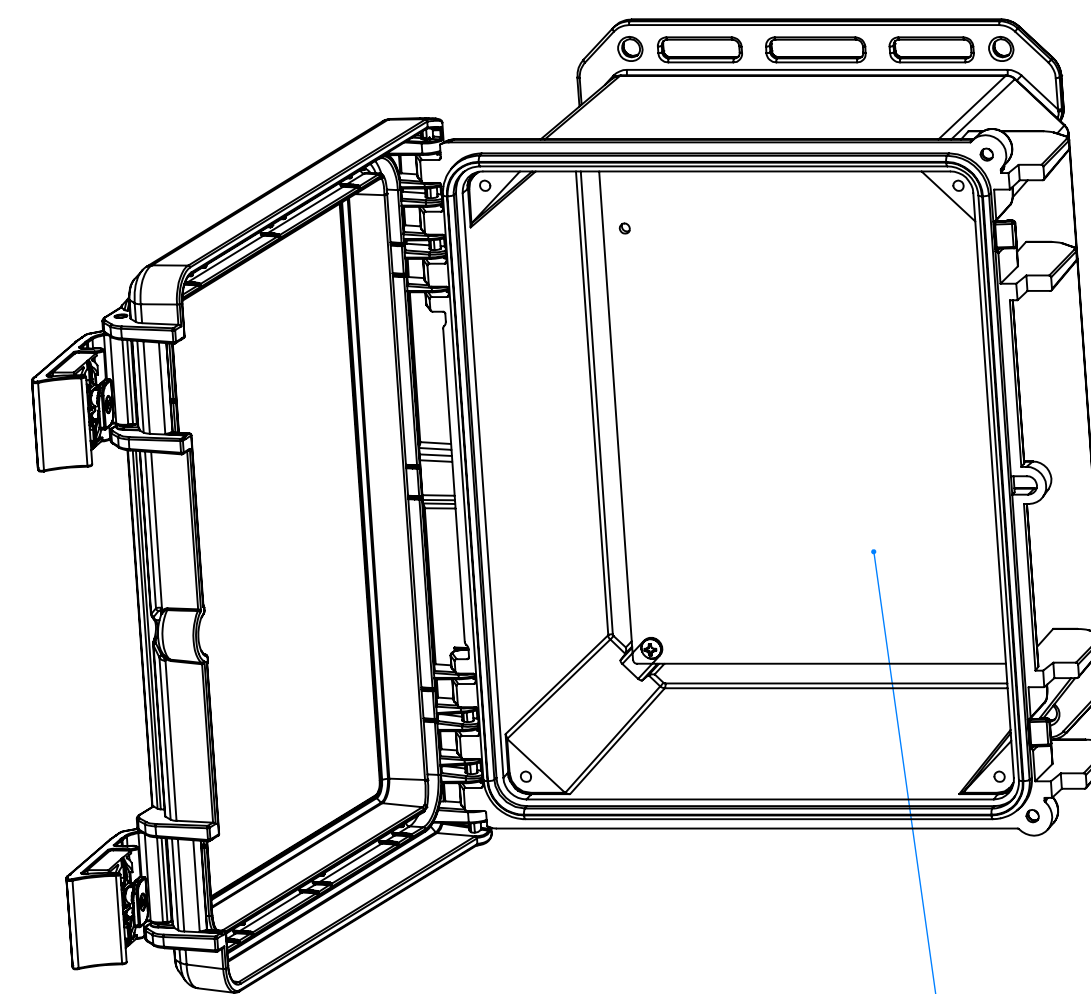
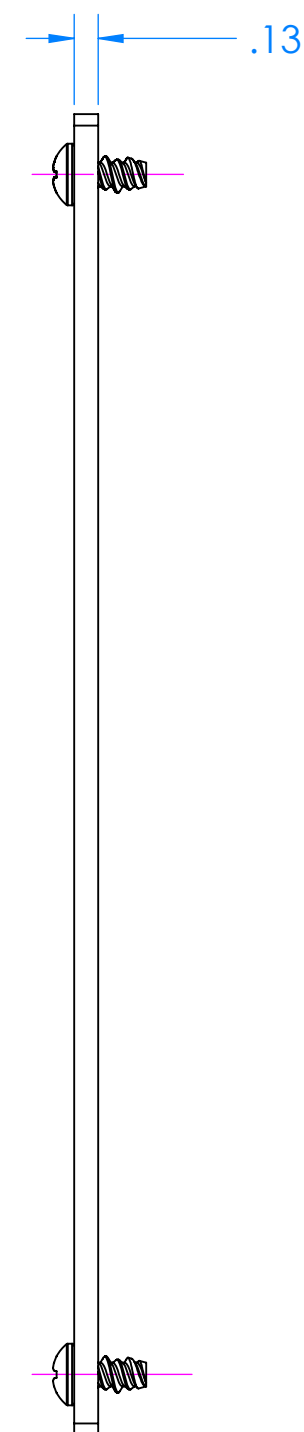
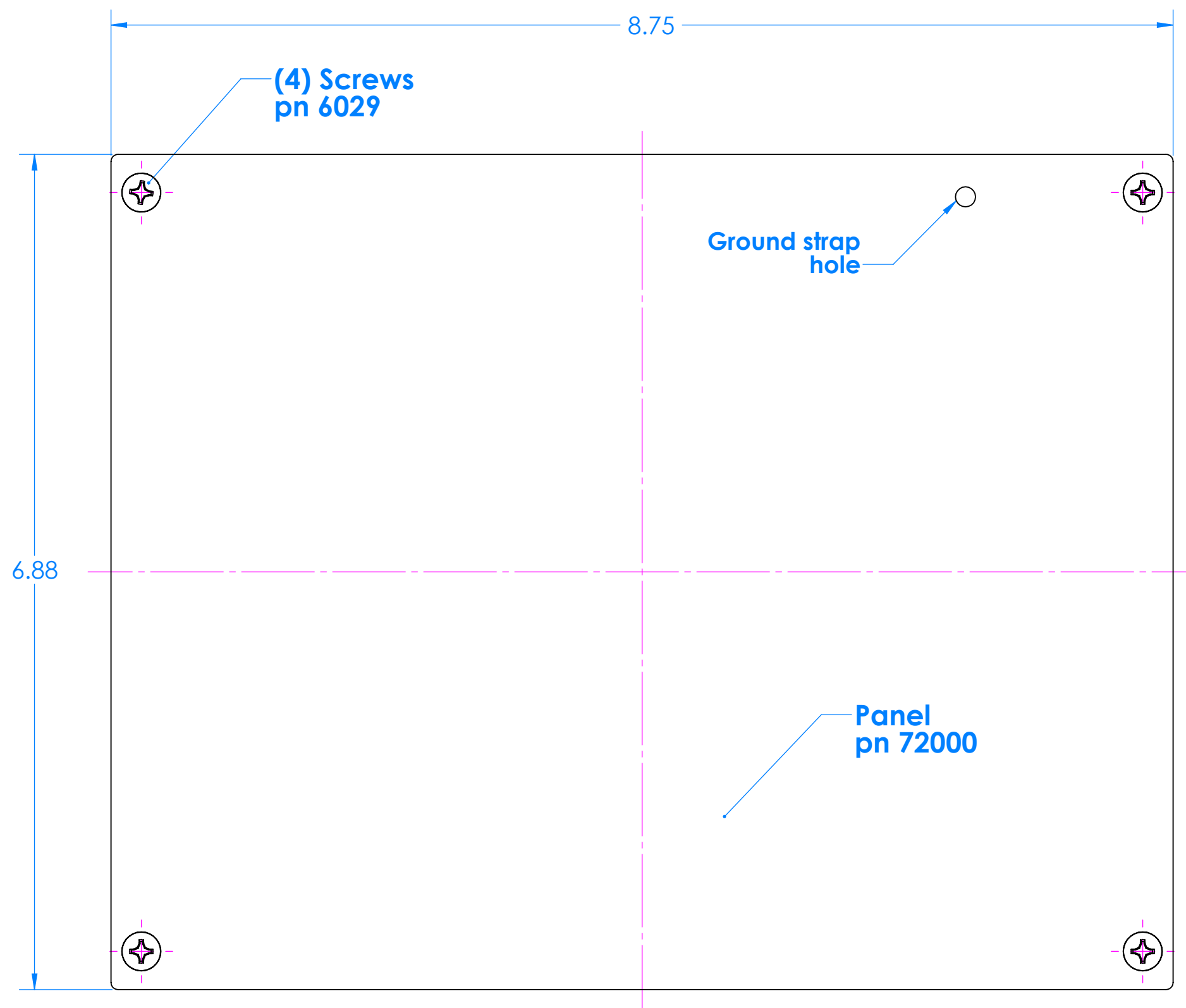
11/9/2021

72040 Aluminum Top Panel

352HL, 342HL, 352HS, 342HS, 352S and 342S



7200B Aluminum Bottom Panel Kit for 352HL, 342HL, 352HS, 342HS, 352S and 342S

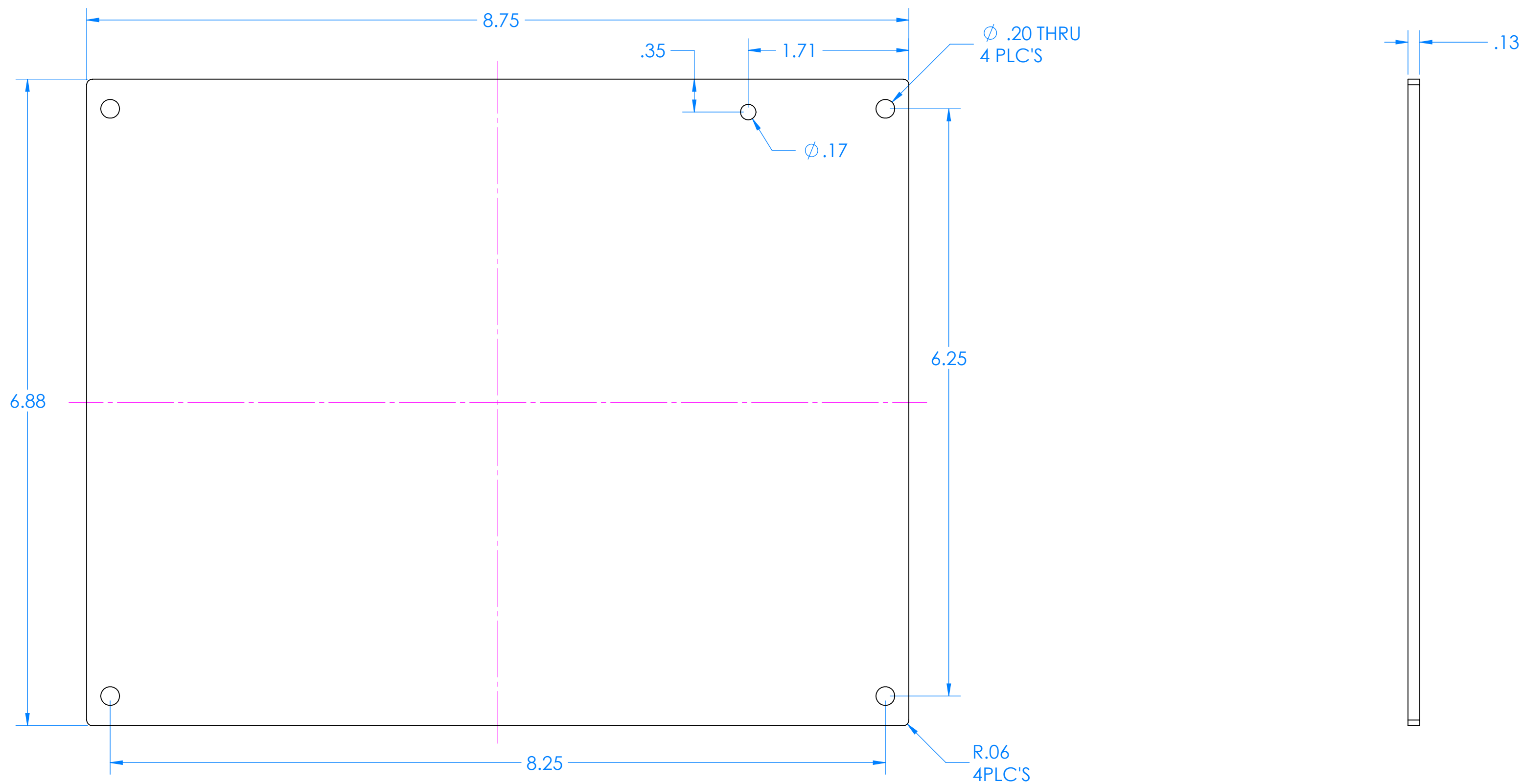


Optional kit
pn 7200B

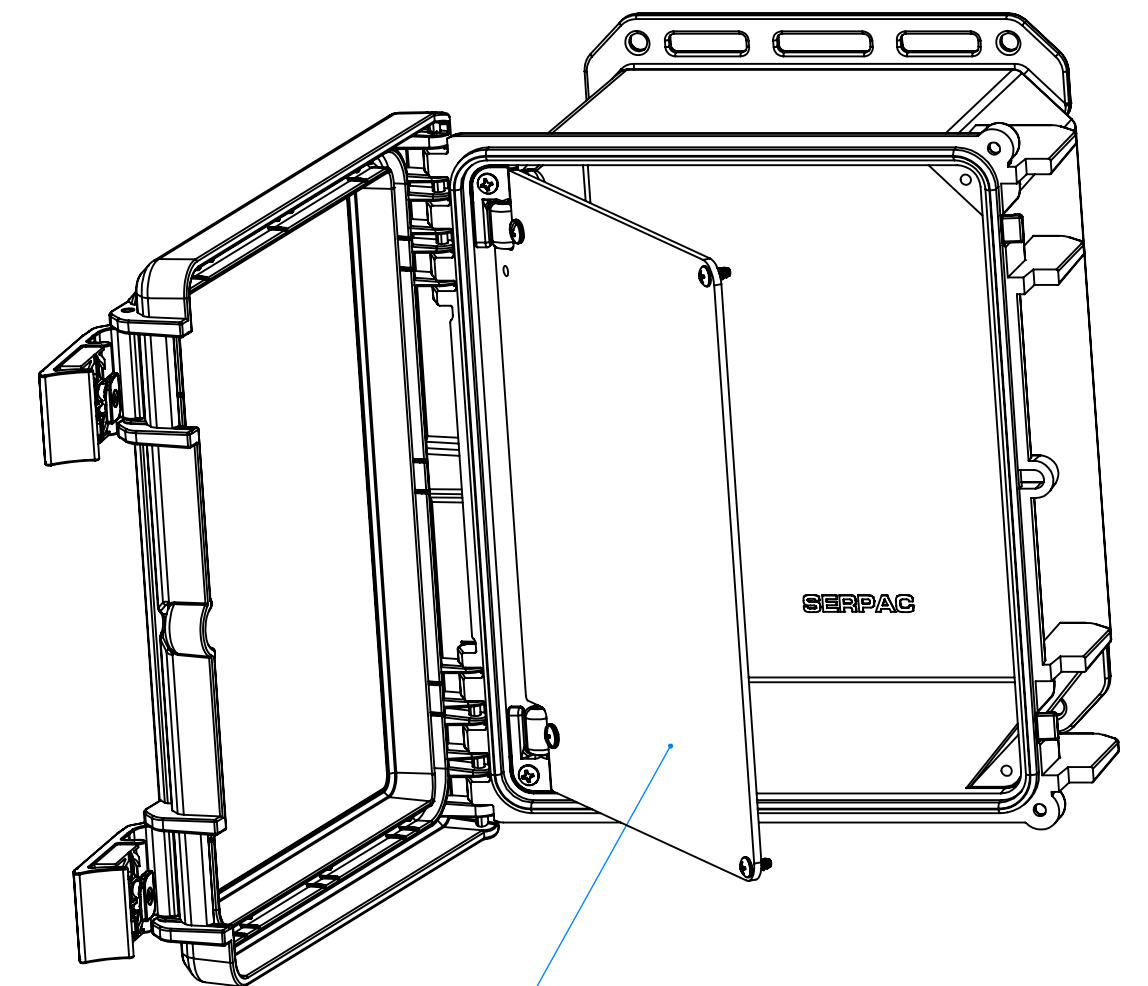
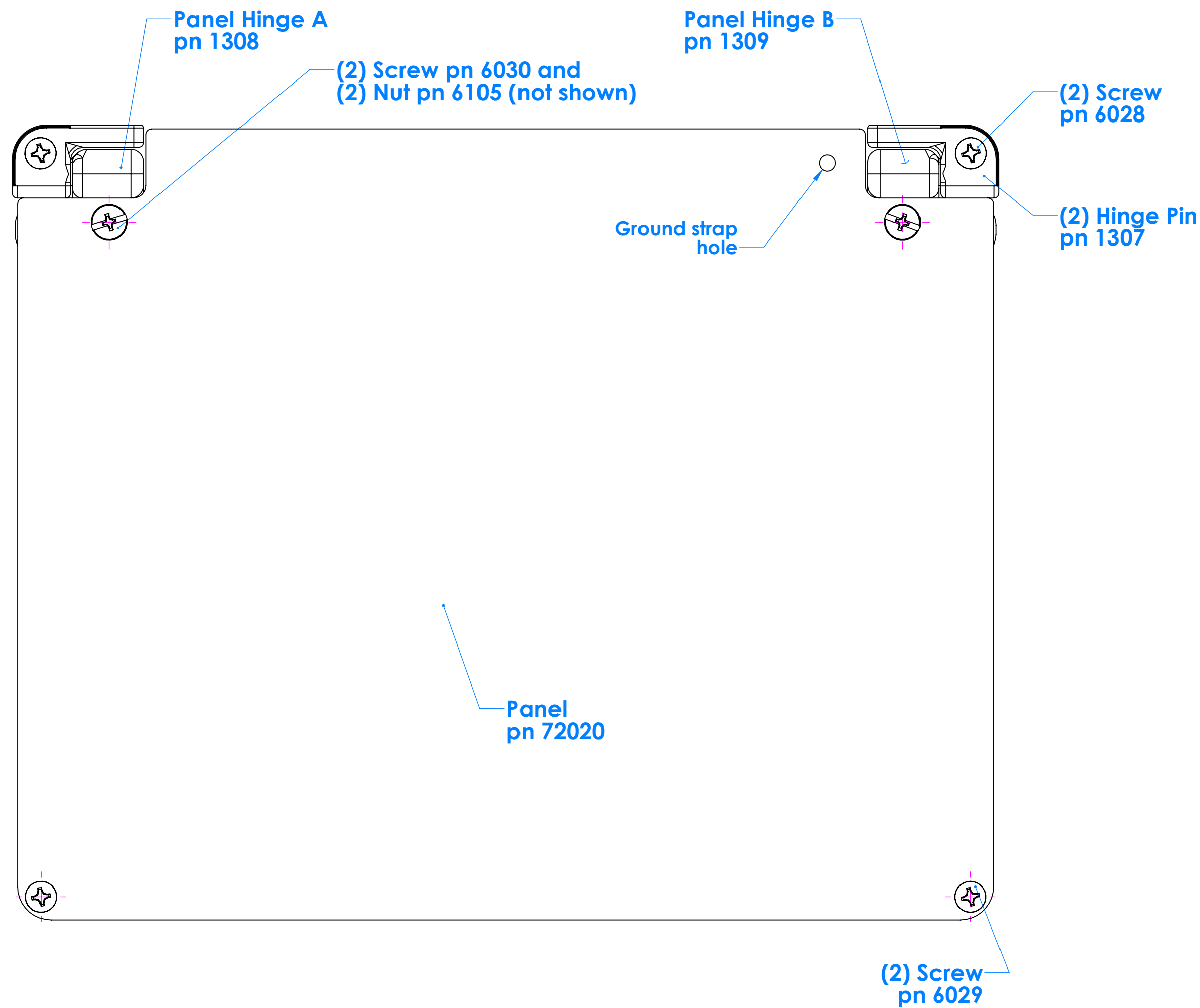
| Part included in Kit number 7200B | | |
|-----------------------------------|------|----------------------------|
| P/N | Qty. | Description |
| 72000 | 1 | Aluminum Bottom Panel |
| 6029 | 4 | SS #10 X 3/8" Pan HL Screw |

72000 Aluminum Bottom Panel

352HL, 342HL, 352HS, 342HS, 352S and 342S



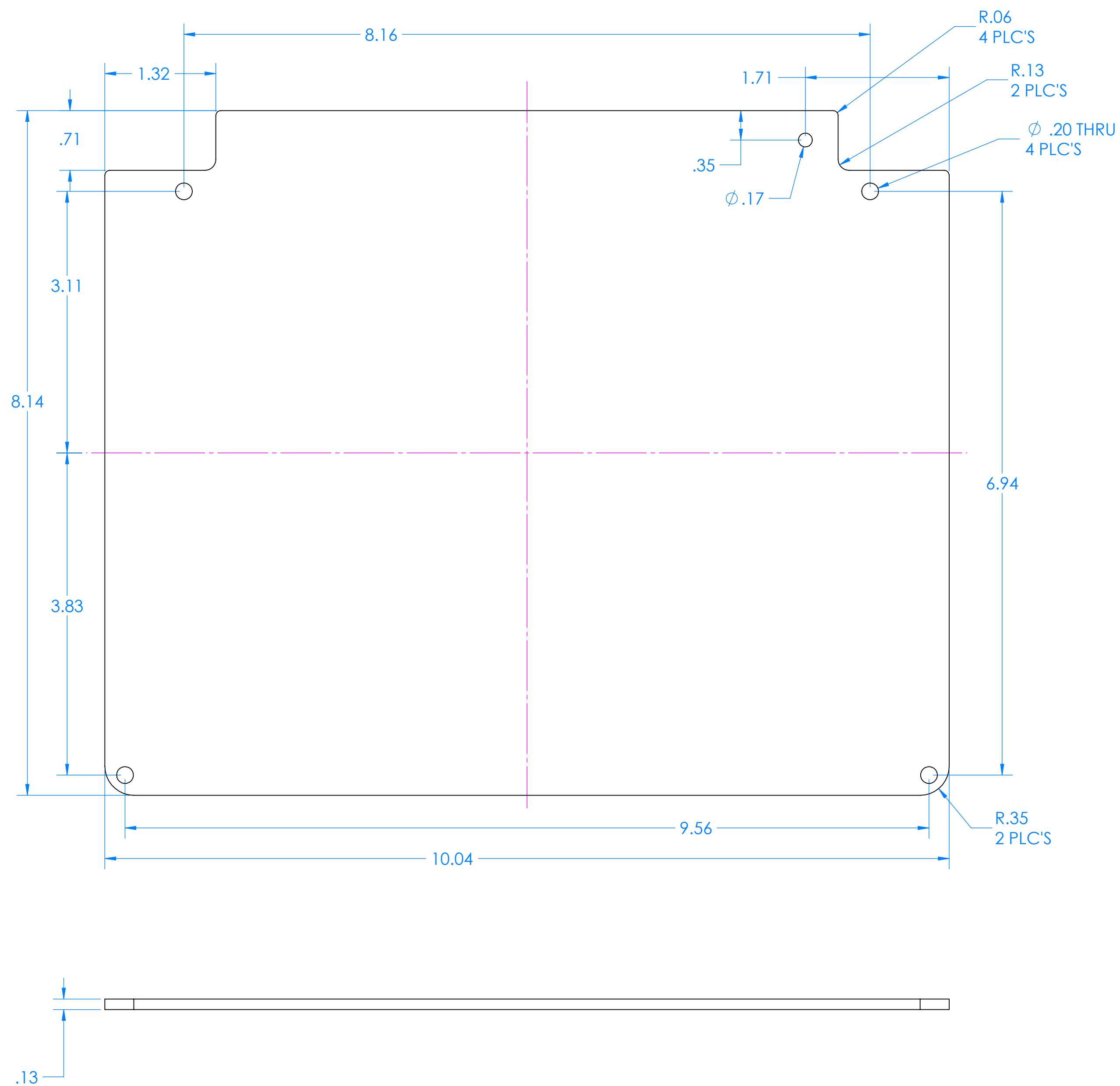
7200TH Aluminum Hinged Top Panel Kit for 352HL, 342HL, 352HS, 342HS, 352S and 342S



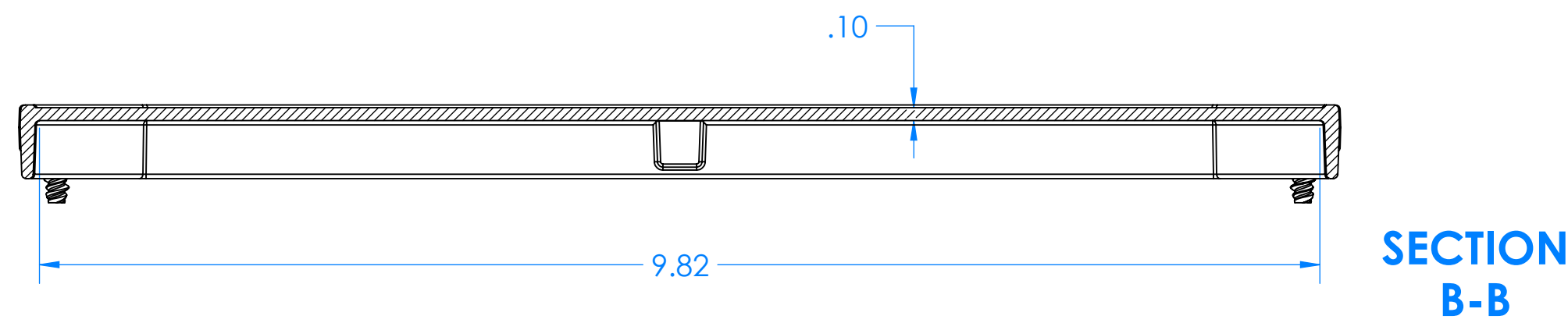
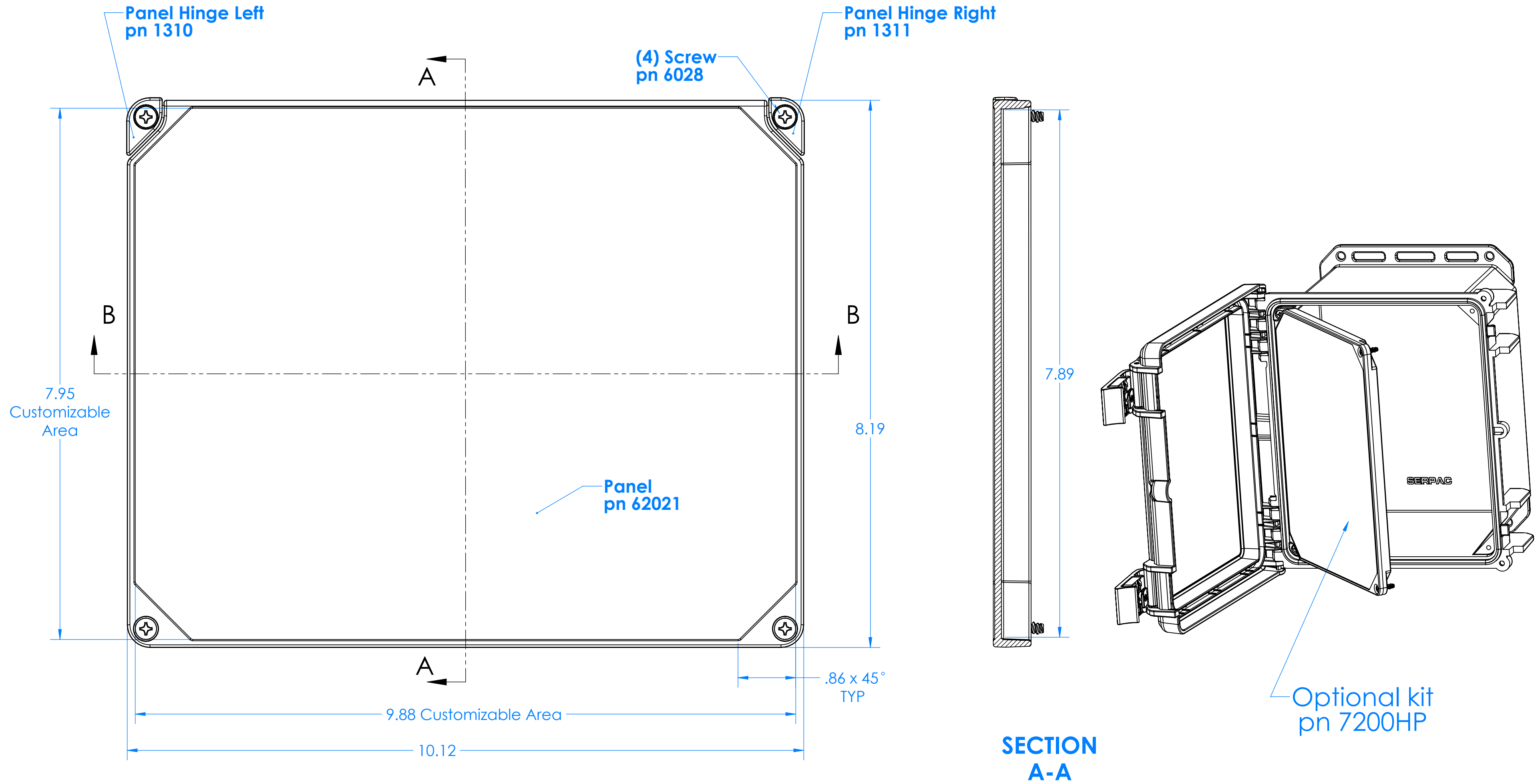
| Part included in Kit number 7200TH | | |
|------------------------------------|------|------------------------------------|
| P/N | Qty. | Description |
| 72020 | 1 | Aluminum Hinged Top Panel |
| 6029 | 2 | SS #10 X 3/8" Pan H/L Screw |
| 6030 | 2 | SS #10-32 X 3/8" PH-PN Combo Screw |
| 6105 | 2 | SS #10-32 Hex Nut Plain |
| 6028 | 2 | SS #10 X 5/8" Pan H/L Screw |
| 1307 | 2 | Hinge Pin |
| 1308 | 1 | Panel Hinge A |
| 1309 | 1 | Panel Hinge B |

72020 Aluminum Hinged Top Panel

352HL, 342HL, 352HS, 342HS, 352S and 342S



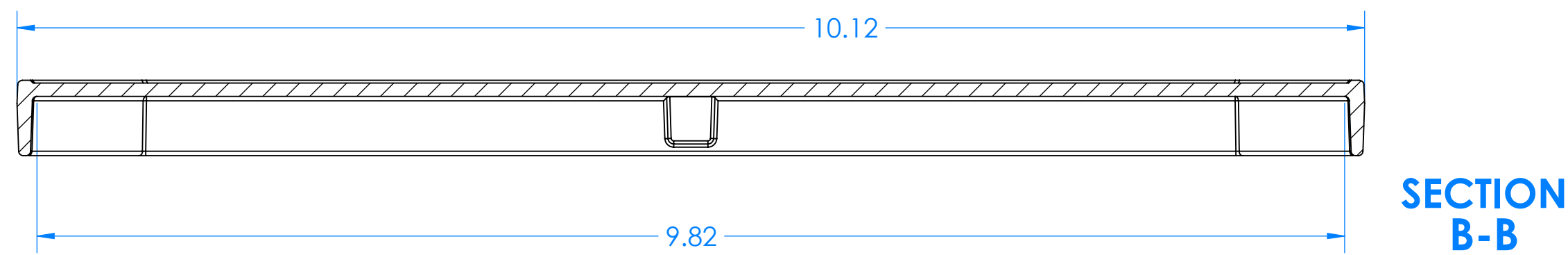
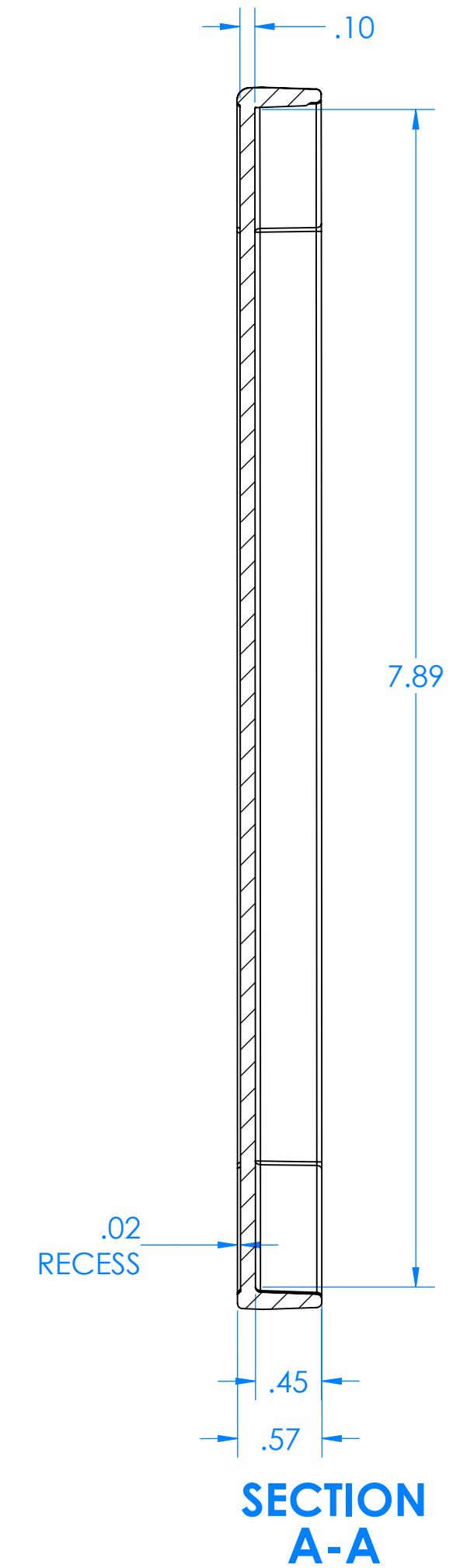
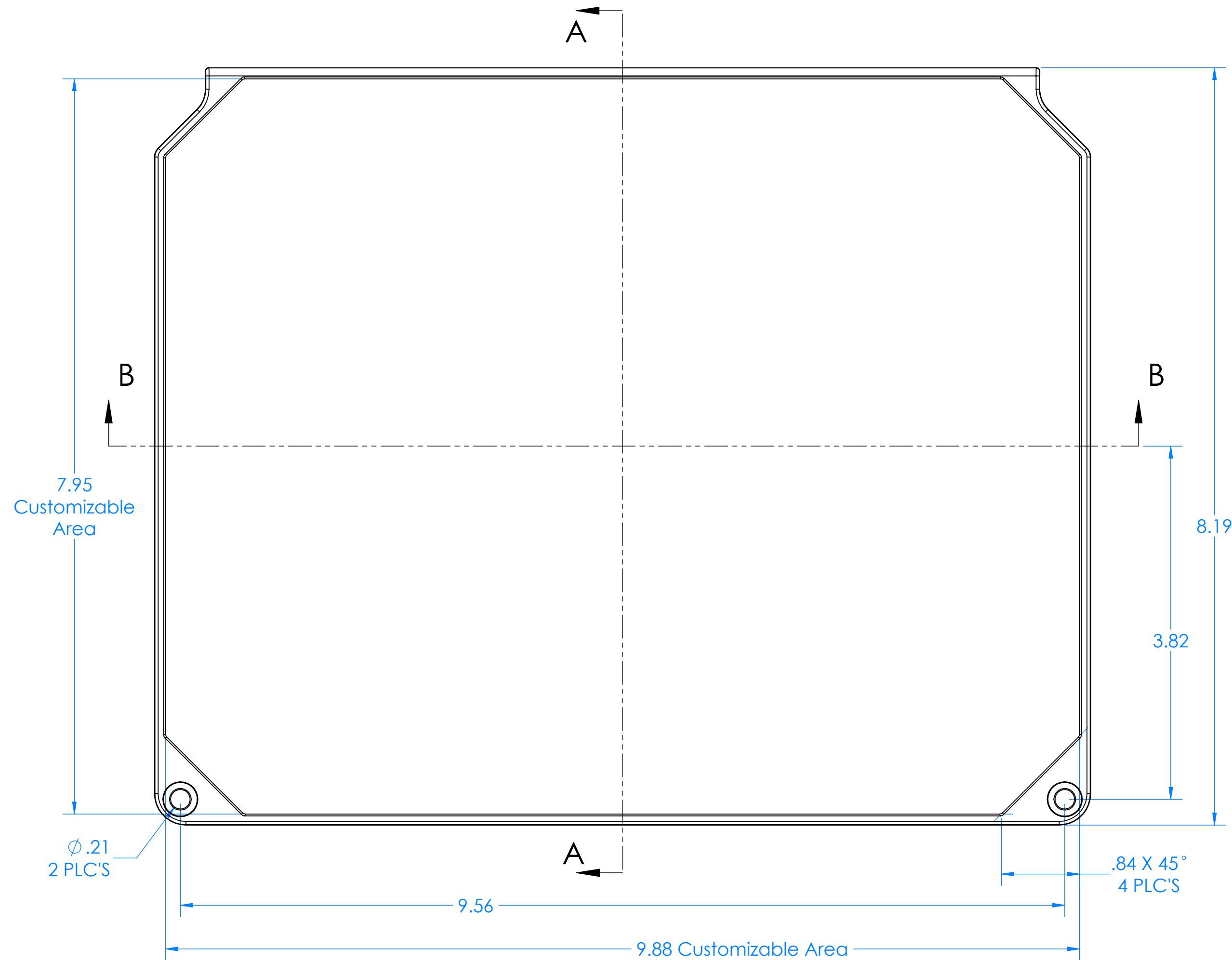
7200HP Plastic Hinged Top Panel Kit for 352HL, 342HL, 352HS, 342HS, 352S and 342S



| Parts Included in kit number 7200HP | | |
|-------------------------------------|------|-----------------------------|
| P/N | Qty. | Description |
| 72021 | 1 | Plastic Hinged Top Panel |
| 1310 | 1 | Panel Hinge Left |
| 1311 | 1 | Panel Hinge Right |
| 6028 | 4 | SS #10 X 5/8" Pan H/L Screw |

72021 Pastic Hinged Top Panel

352HL, 342HL, 352HS, 342HS, 352S and 342S



X-ON Electronics

Largest Supplier of Electrical and Electronic Components

Click to view similar products for [Electrical Enclosures](#) category:

Click to view products by [SERPAC](#) manufacturer:

Other Similar products are found below :

[120-401](#) [120-905](#) [120-909](#) [120-403](#) [130-004](#) [MR-25L+](#) [30-8739](#) [PIP-11774SCREW](#) [30-9715](#) [30-9777-BU](#) [105-905](#) [110-901](#) [A16N12BLP](#)
[110-406](#) [110-401](#) [110-403](#) [110-404](#) [120-405](#) [34861601](#) [106-009](#) [106-505](#) [105-405](#) [111-005](#) [127-909](#) [106-502](#) [130-503](#) [127-455](#) [9511150](#)
[9511017](#) [9820011](#) [NSYTDB5PL](#) [137-455](#) [130-001](#) [105-904](#) [120-404](#) [137-005](#) [130-505](#) [127-406](#) [AB 1,5.0](#) [AB2.0](#) [ABM.0](#) [73345601](#) [F-MP](#)
[M-MP](#) [PAT 12040](#) [2461000](#) [79541301](#) [19001001](#) [19001101](#) [TM 1224](#)