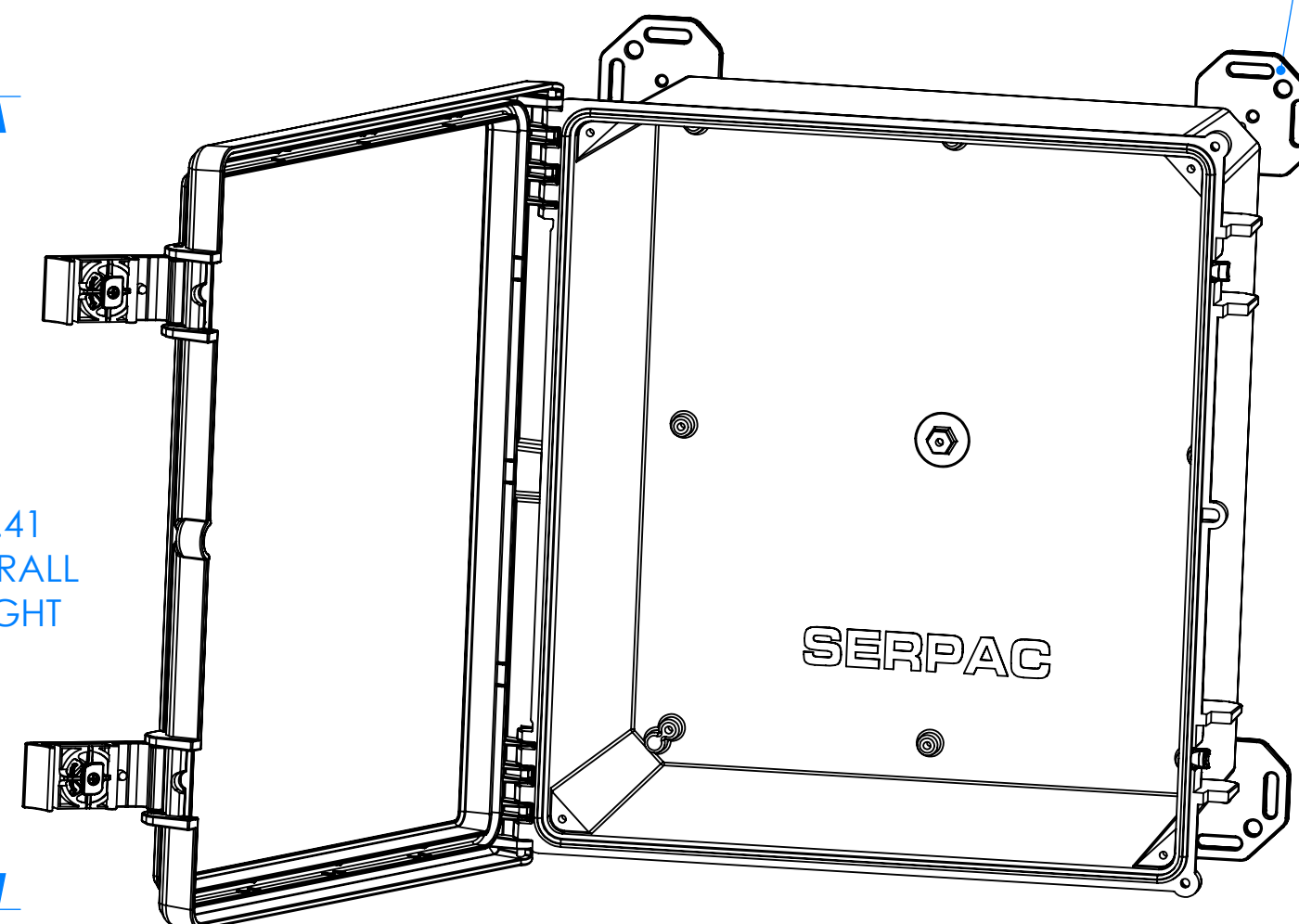
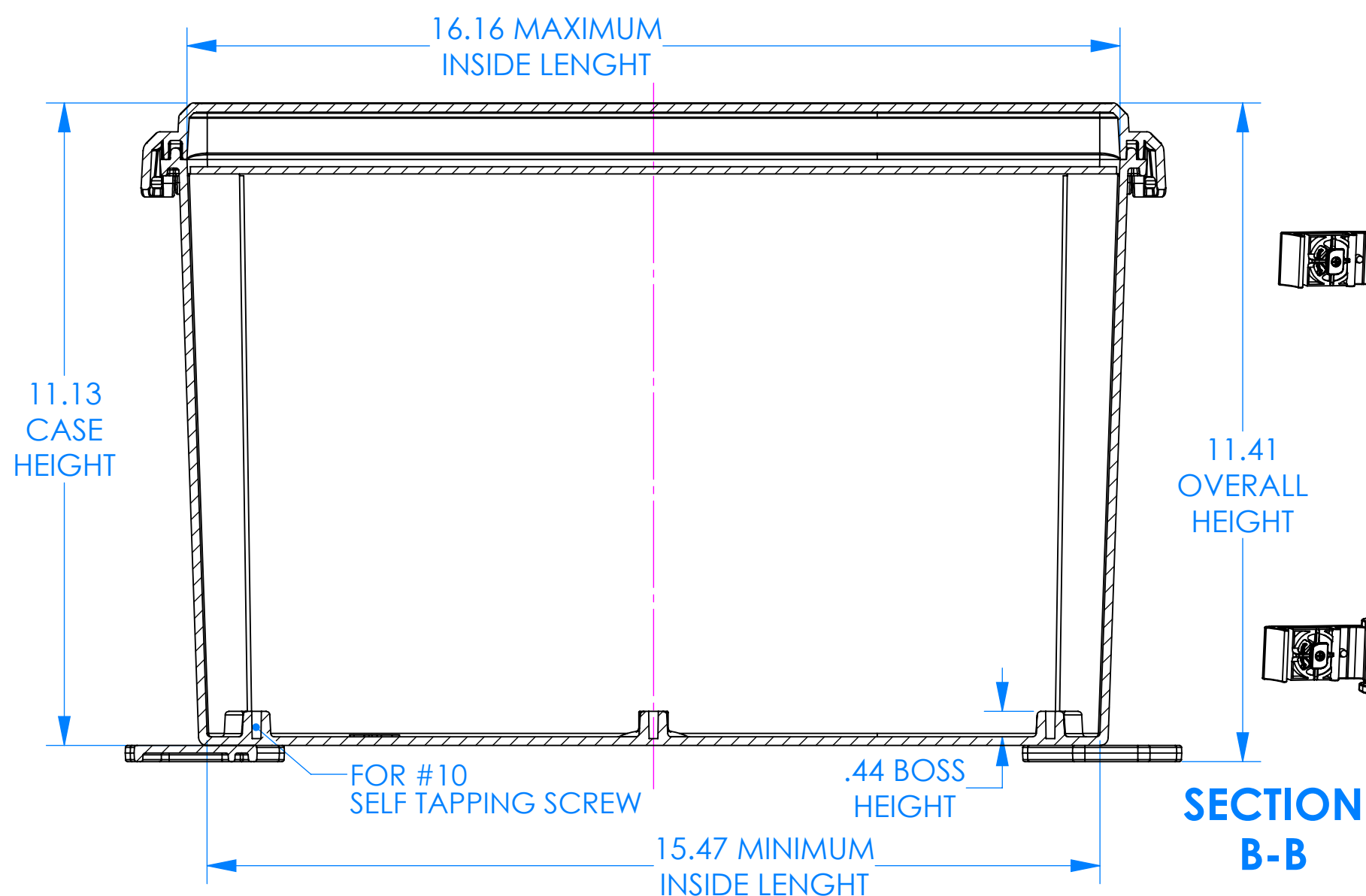
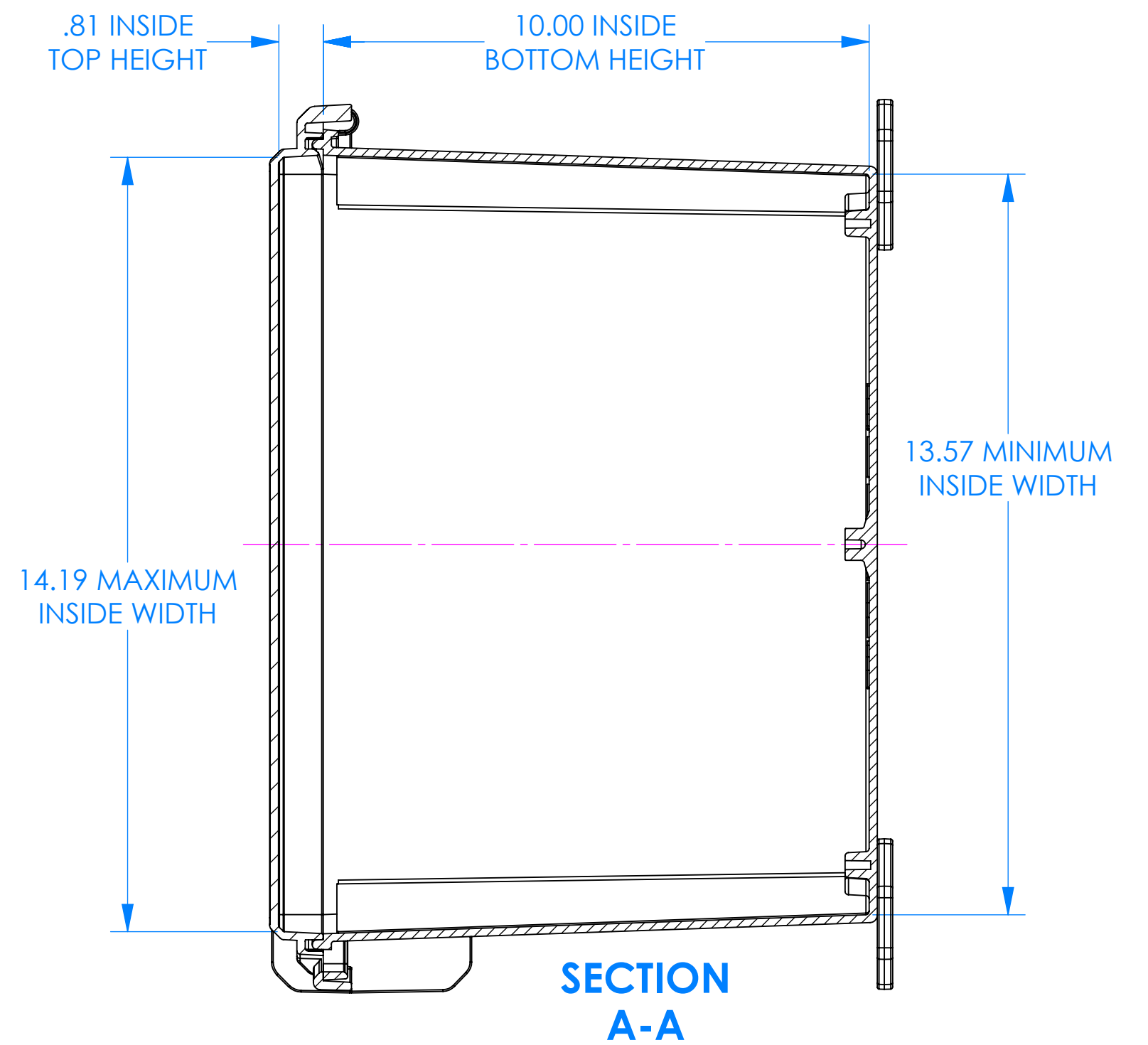
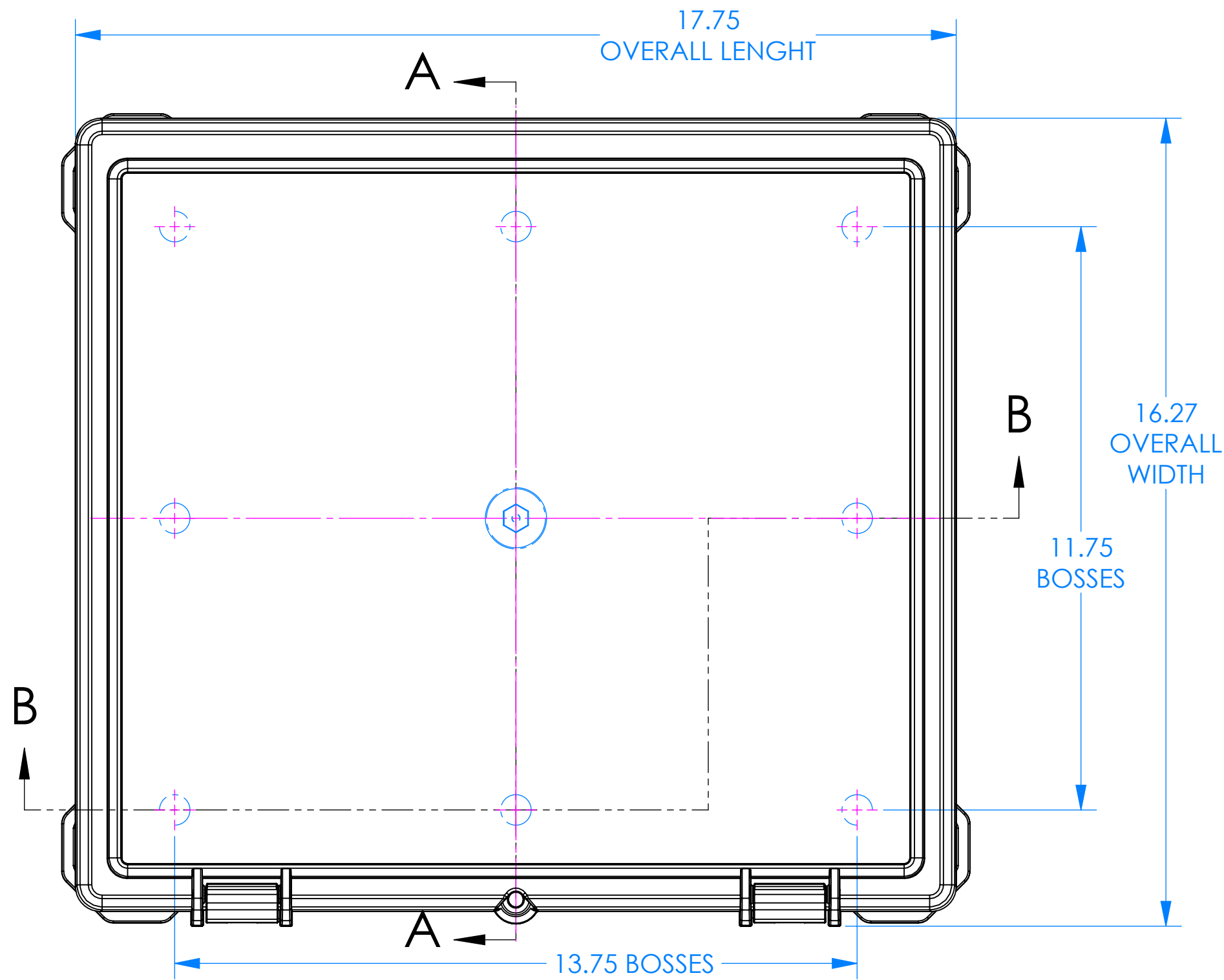


# SERPAC I652HL

Electronic Enclosures

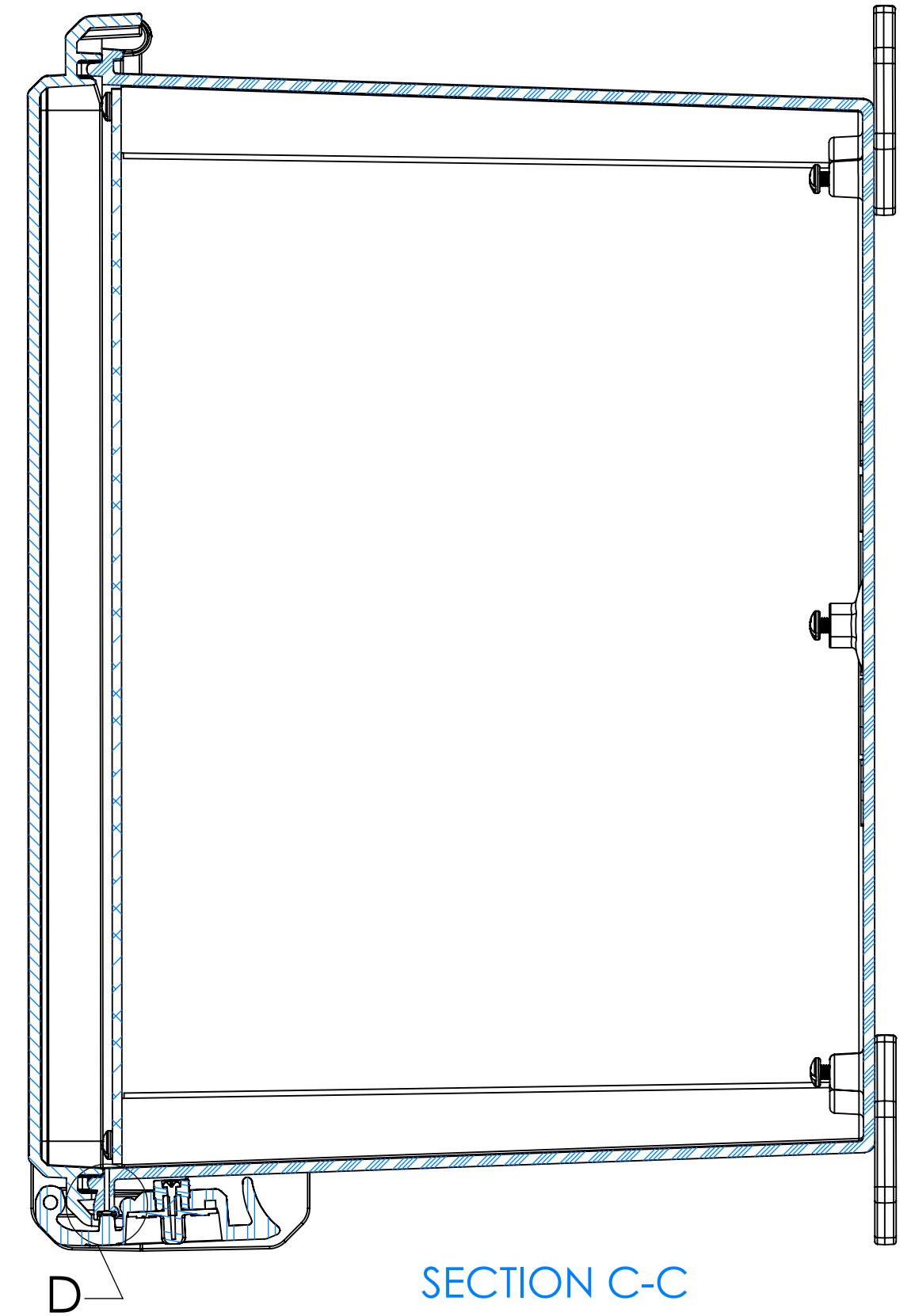
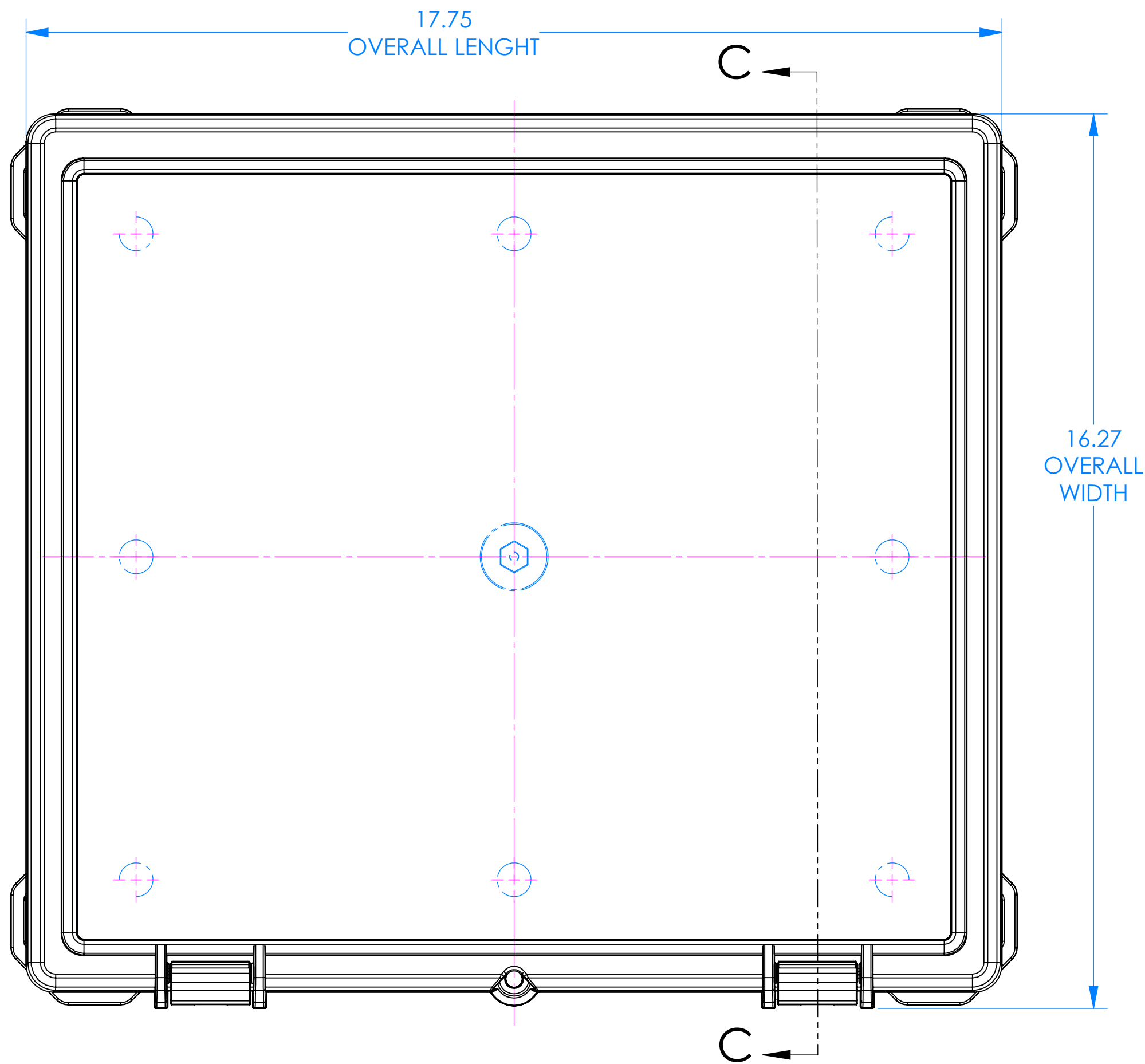


Aluminum Panel Kits are available as options, see sheets 3-5. The aluminum panel options are:  
 Bottom Panel Kit p/n 73000B  
 Top Panel Kit p/n 73040T  
 Hinged Top Panel Kit p/n 73020TH

Enclosure venting / pressure equalizing option is available. (See next page)

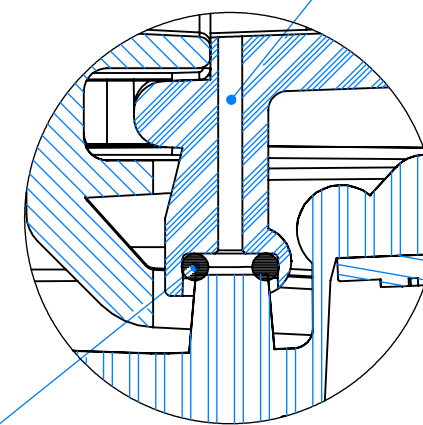
- UL listed to UL 508A 4/4X standard (UL file E519183).
- Material: UV stabilized Polycarbonate Flammability V0, F1 rated material.
- Watertight enclosure meets or exceeds Nema 4 and or IP67.

PARTS INCLUDED		
P/N	Qty.	Description
I652HLT	1	I652 Hinge Latch Top
I650HLB	1	I650 Hinge Latch Bottom
8650	1	650 Perimeter O-ring
7011PCM	2	Safety Latch for I-Series
1355	4	Corner Mounting Bracket
6028	9	SS #10 X 5/8" Pan H/L Screw



DETAIL D

O-RING  
pn. 8000

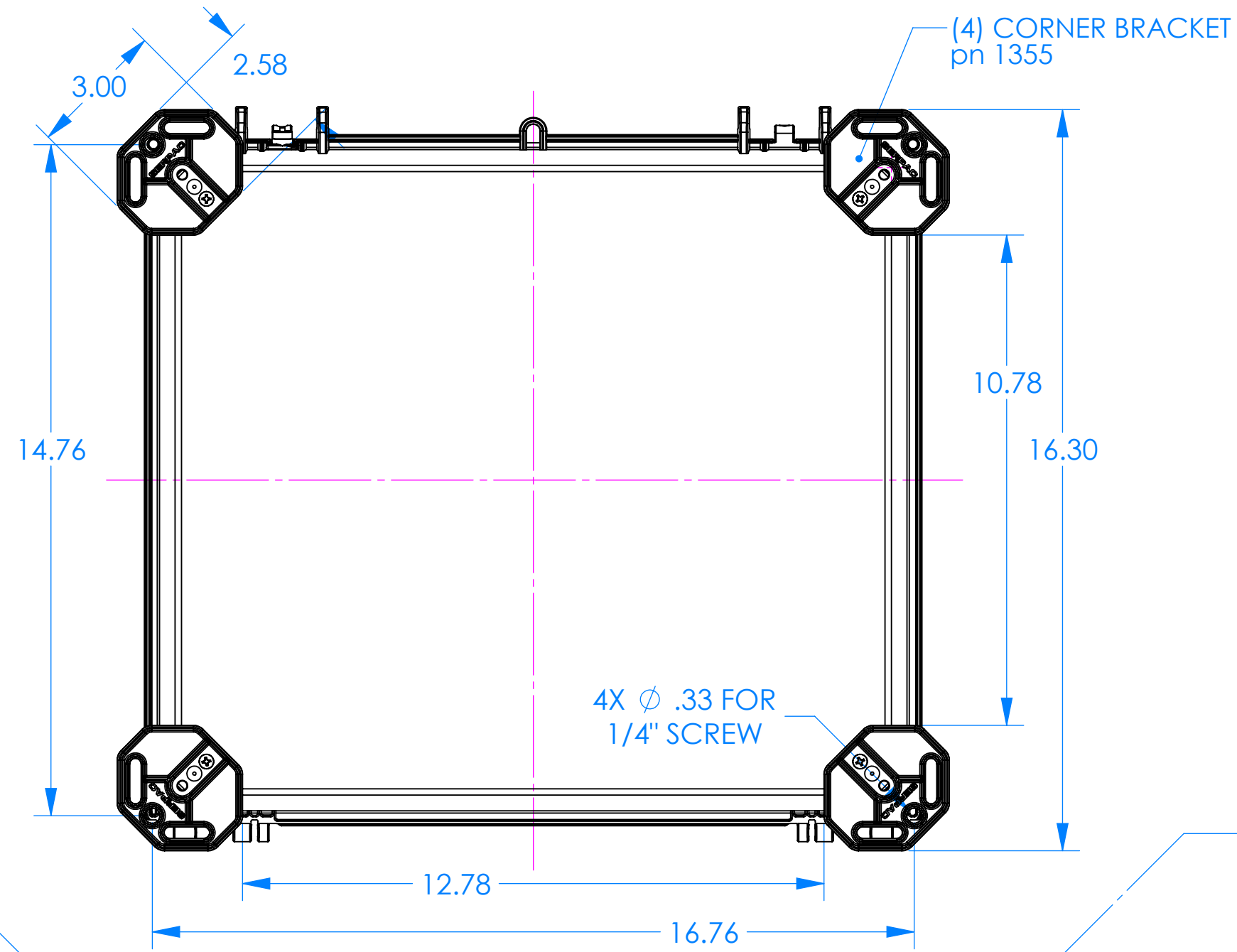


DRILLED HOLE  
1/16" DIA

For Venting option  
drill 1/16"  $\phi$  hole as shown  
and use pn 8000 for sealing.

# SERPAC I652HL Mounting Bracket Dimensions

Electronic Enclosures

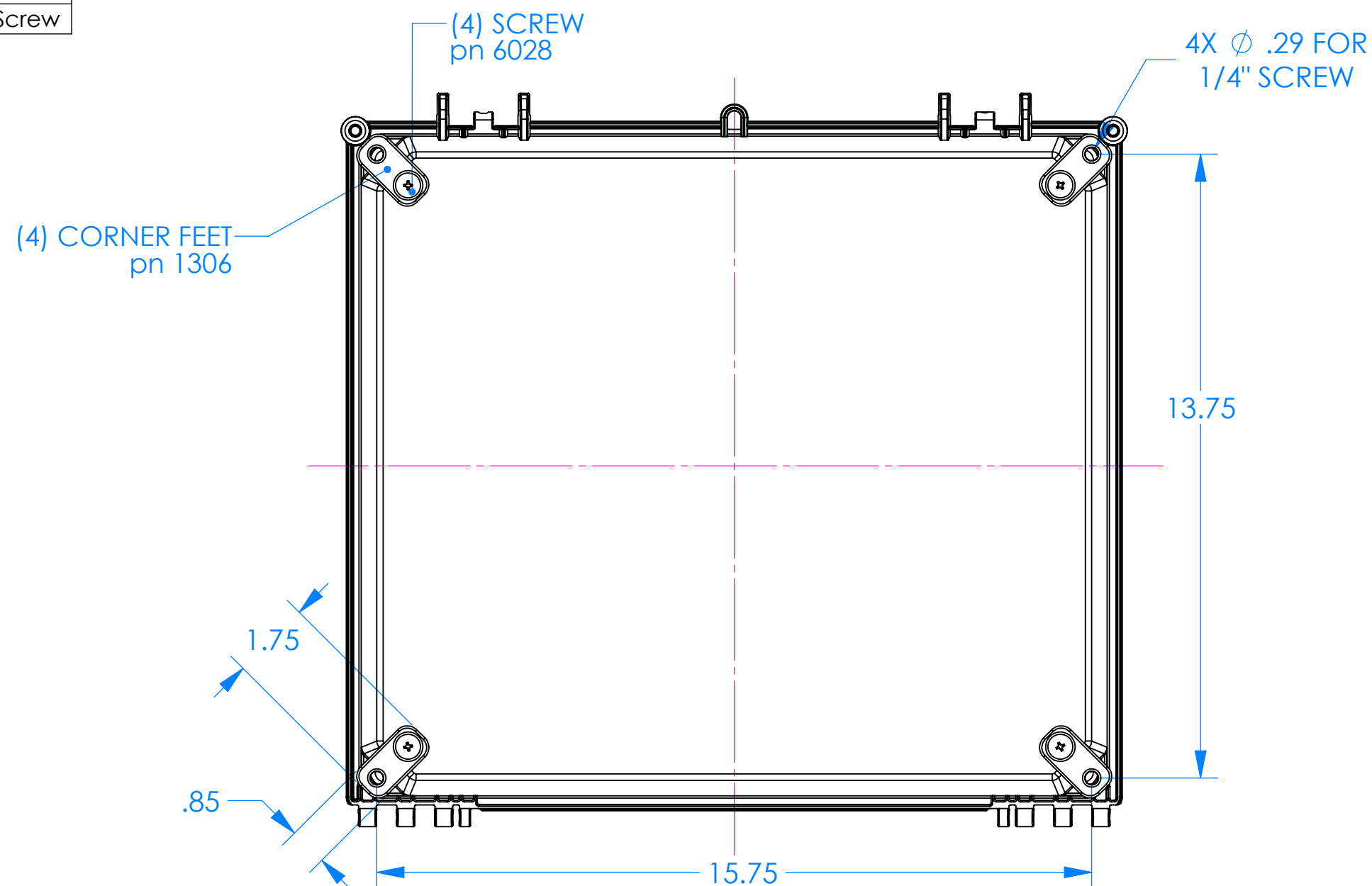


INCLUDED (4)  
1355 CORNER BRACKETS KIT

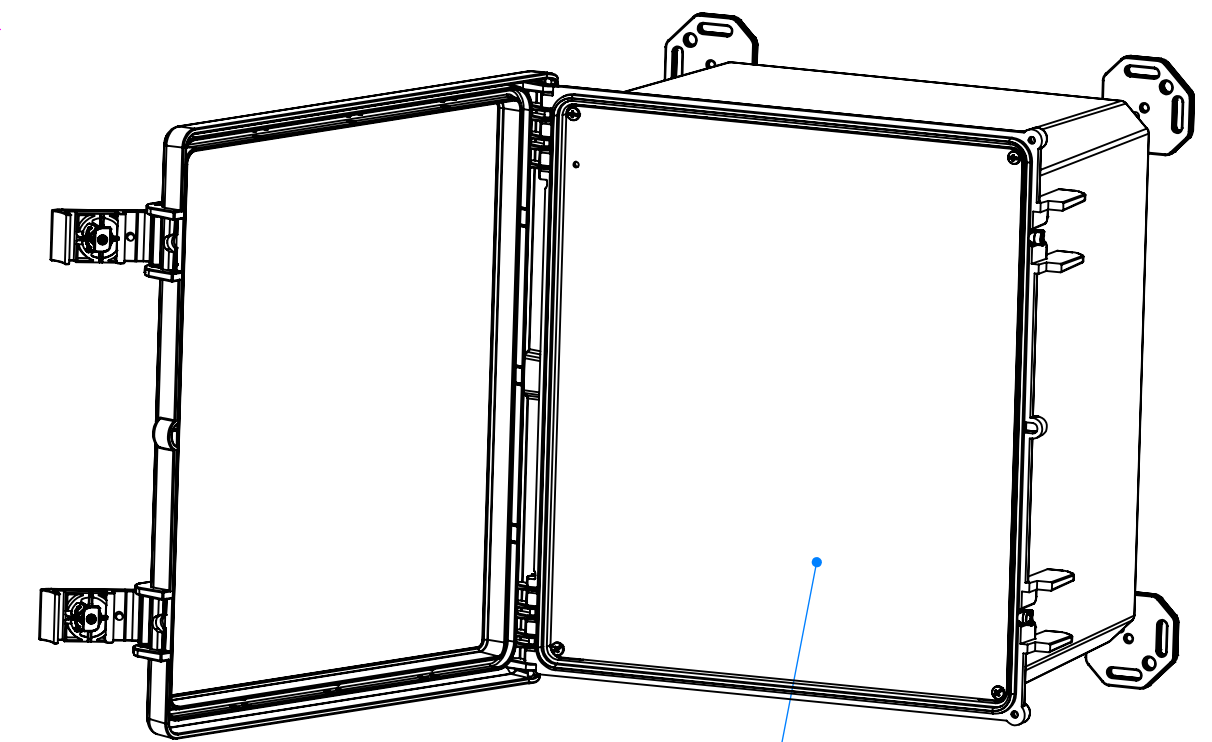
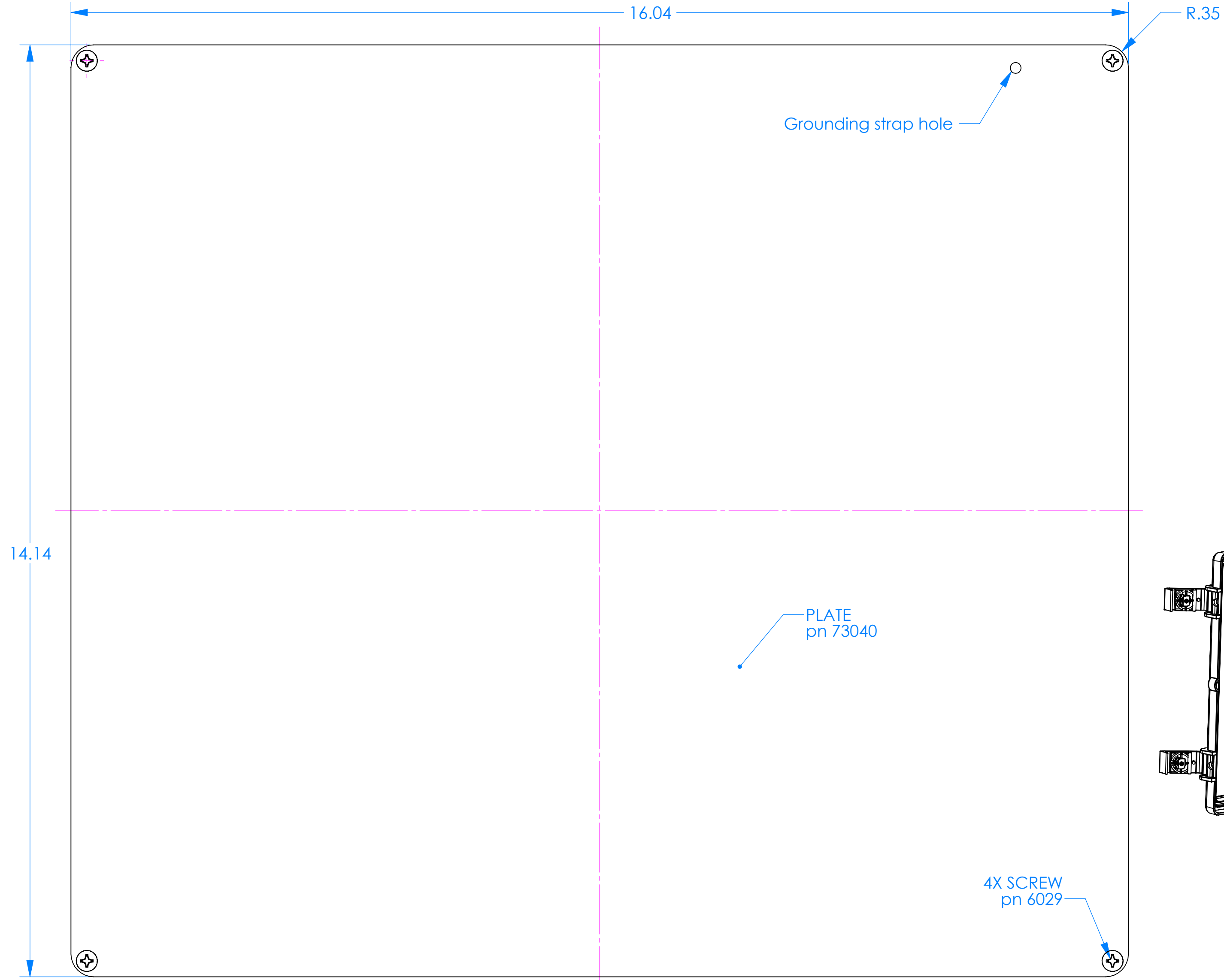
Parts Included in kit number 1355		
P/N	Qty.	Description
1355	4	Mounting Corner Bracket
6028	4	SS #10 X 5/8" Pan Combo H/L Screw

OPTIONAL 1306 CORNER FEET KIT

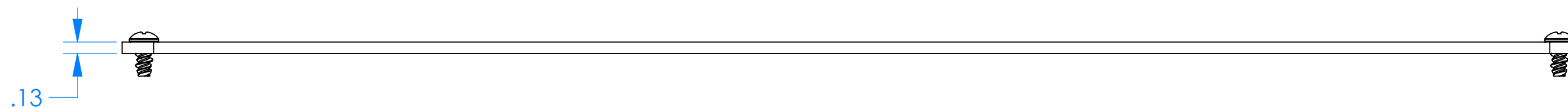
Parts Included in kit number 1306		
P/N	Qty.	Description
1306	4	Mounting Corner Feet
6028	4	SS #10 X 5/8" Pan Combo H/L Screw



# 7300T Aluminum Top Panel Kit for I602HL, I622HL, I632 and I652

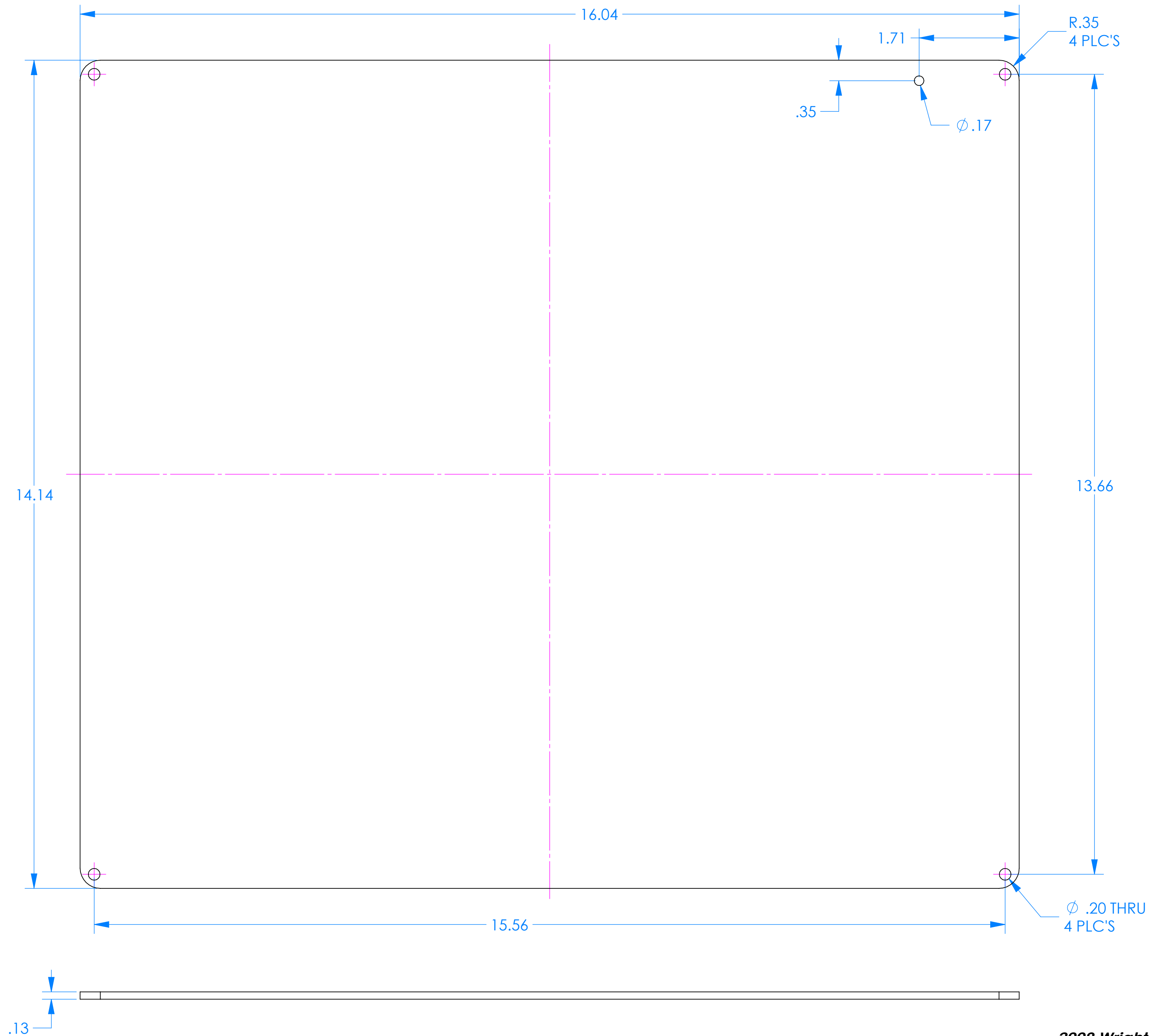


Optional kit  
pn 7300T

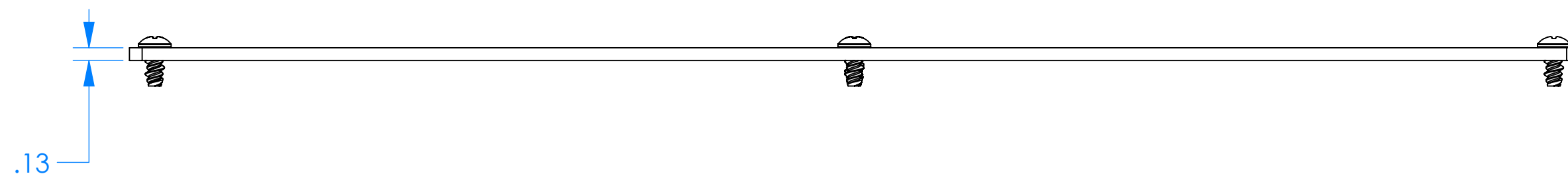
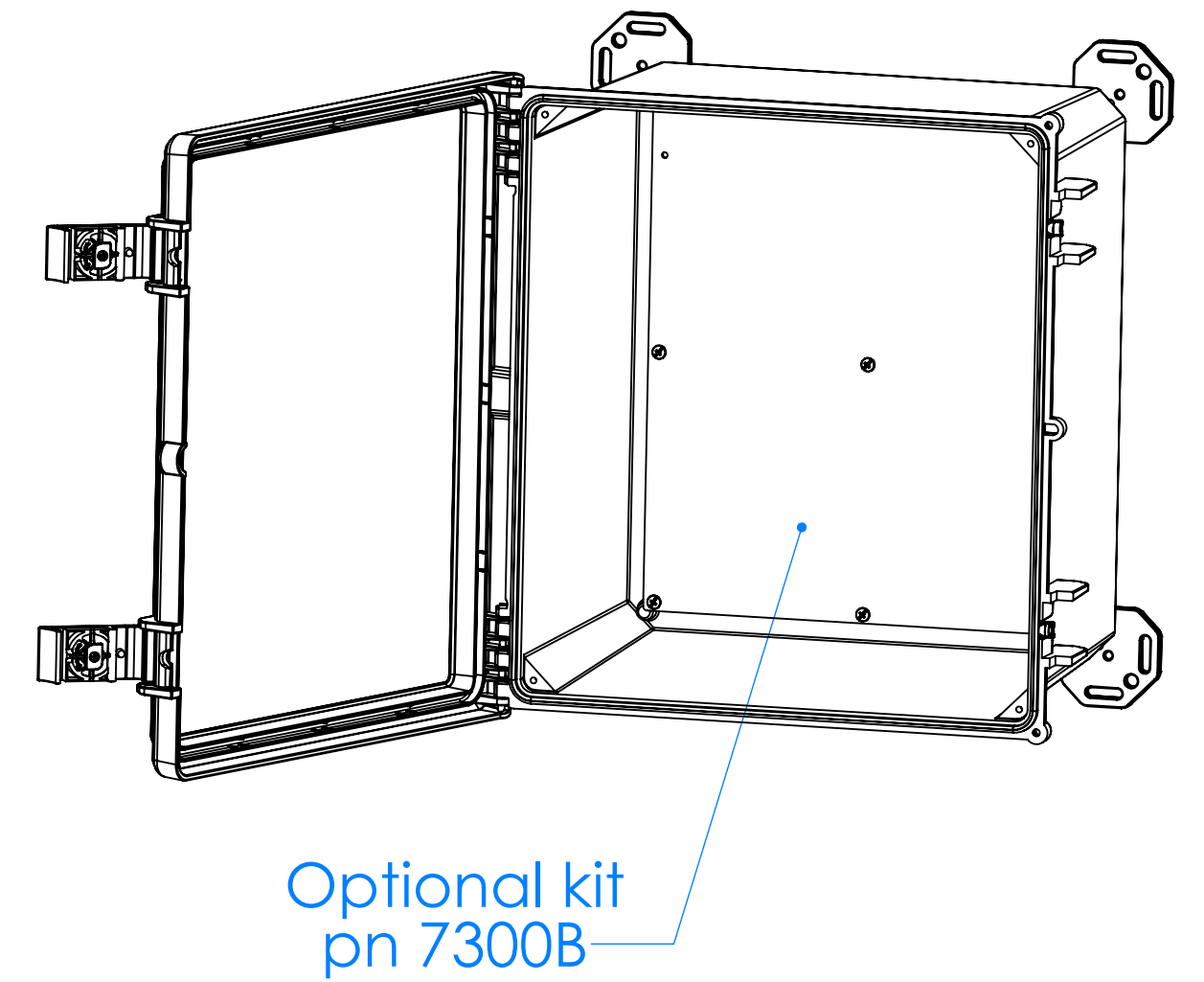
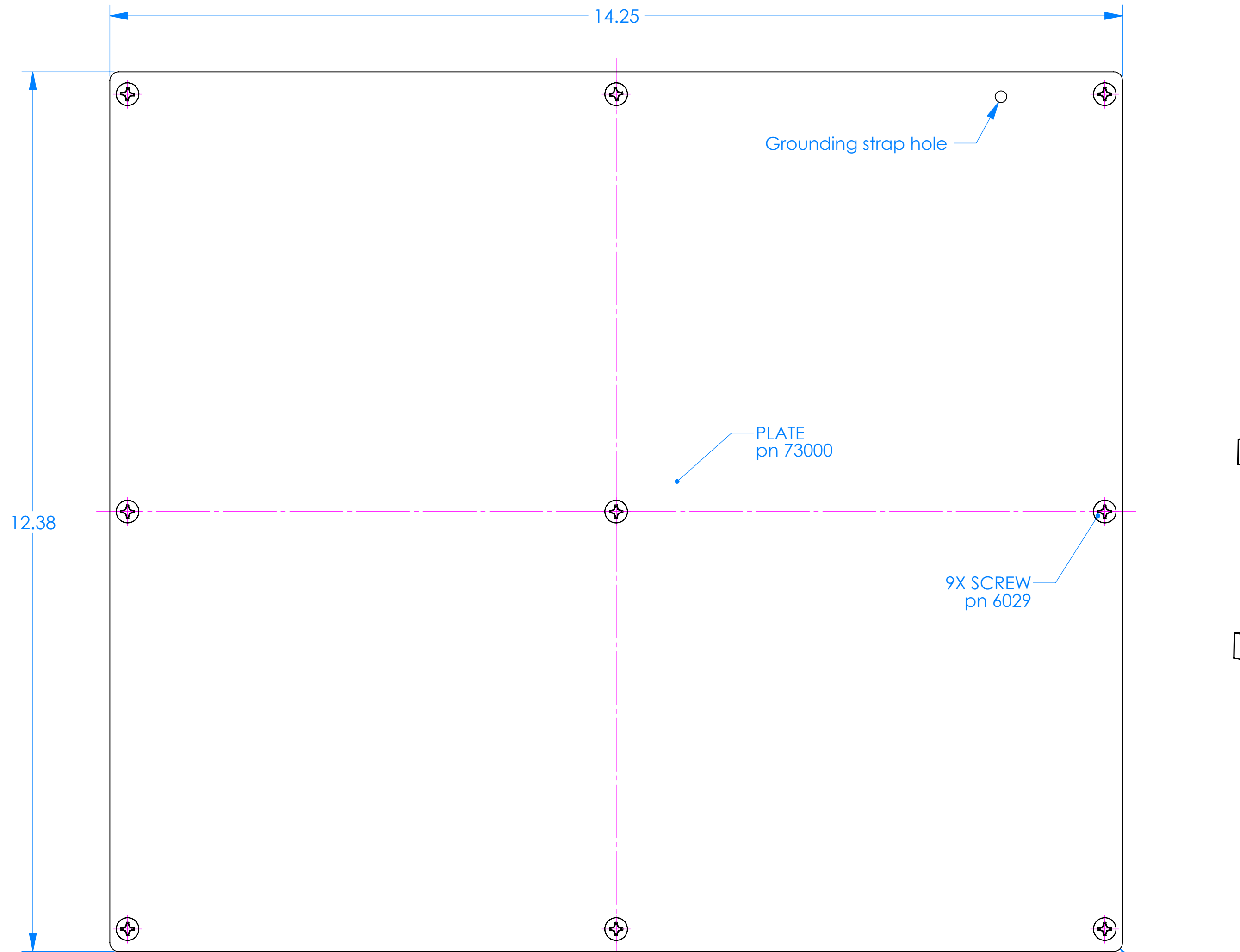


Parts Included in kit number 7300T		
P/N	Qty.	Description
73040	1	Aluminum Top Panel
6029	4	SS #10 X 3/8" Pan HL Screw

# 73040 Aluminum Top Panel for I602HL, I622HL, I632 and I652

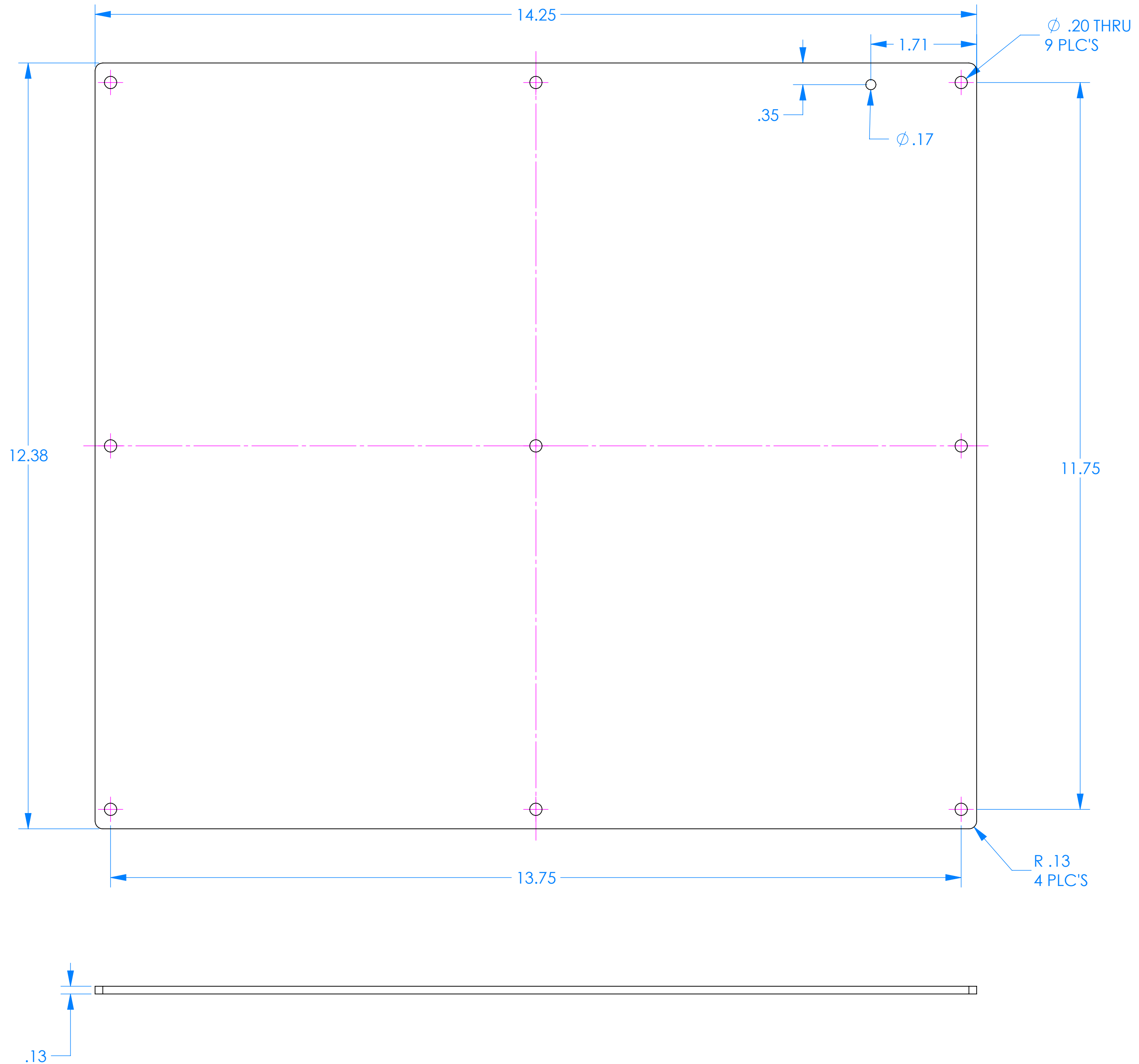


# 7300B Aluminum Bottom Panel Kit for I602HL, I622HL, I632 and I652

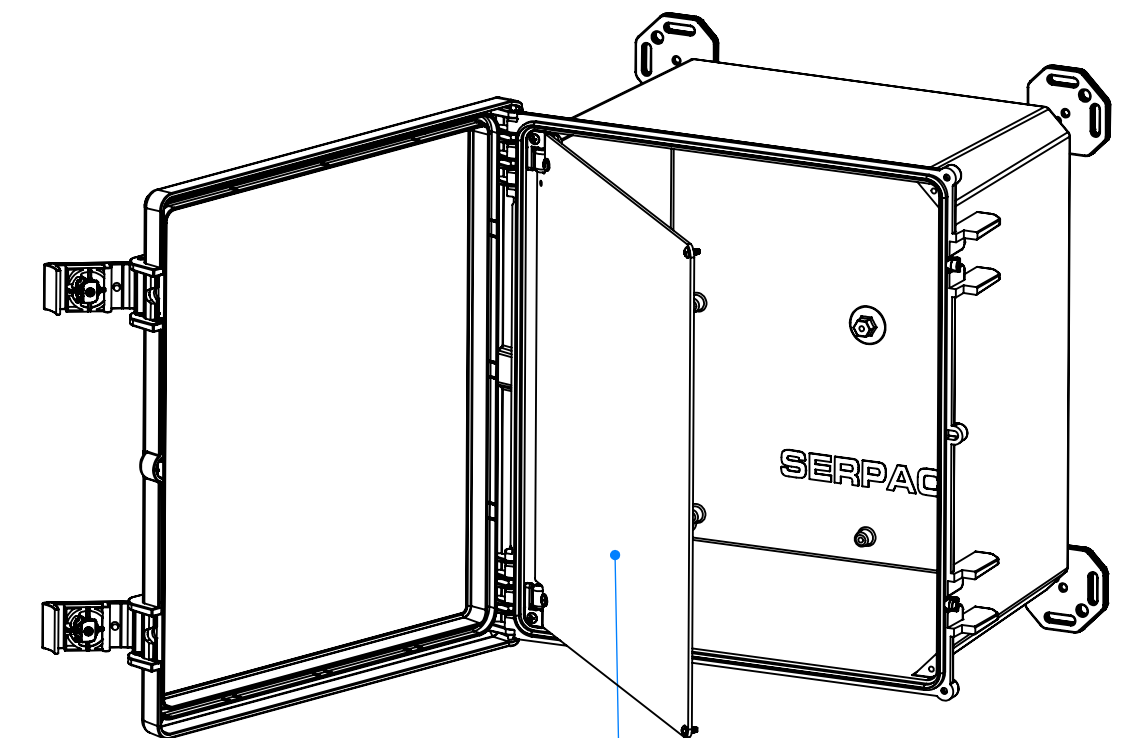
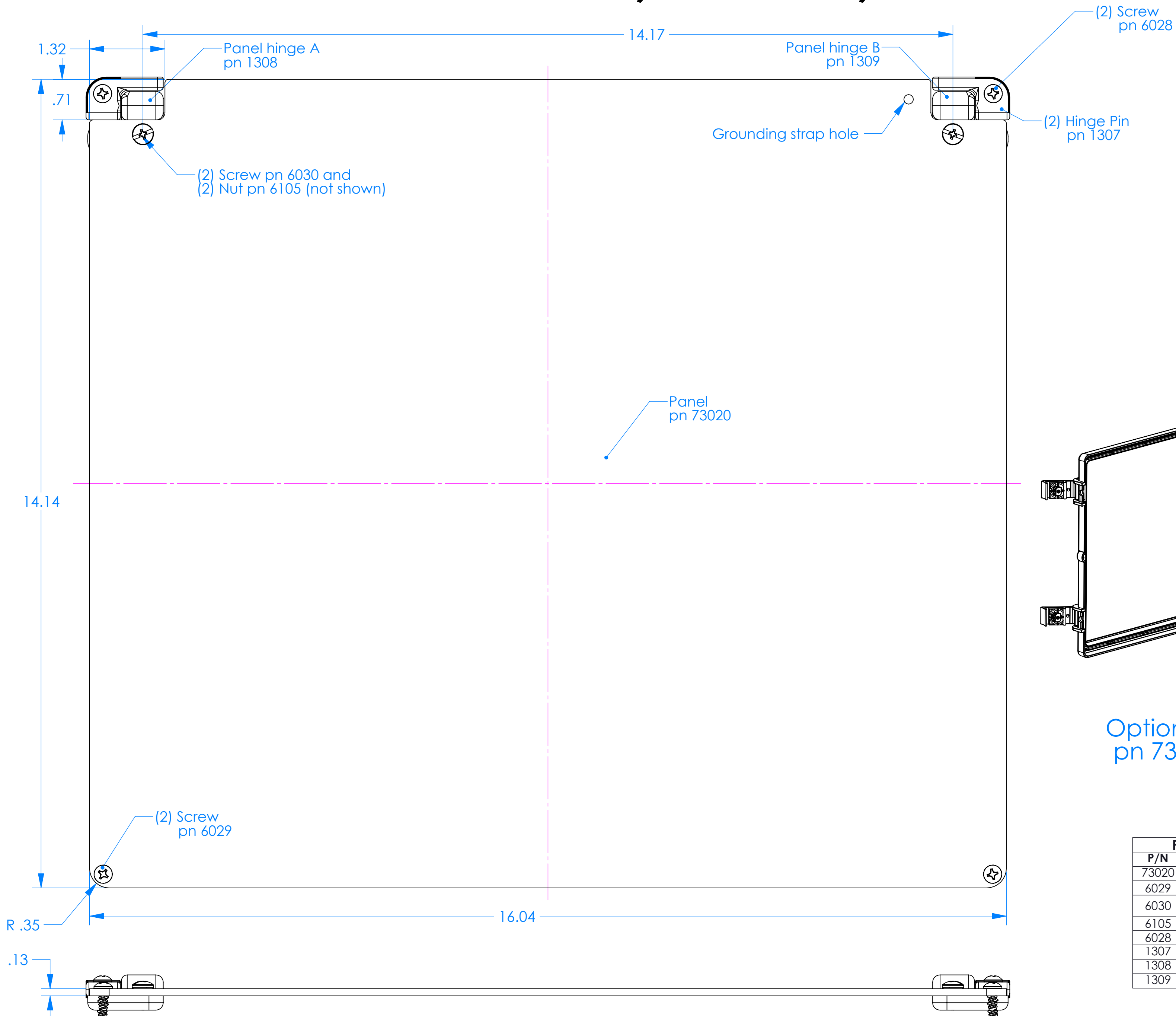


Parts Included in kit number 7300B		
P/N	Qty.	Description
73000	1	Aluminum Bottom Panel
6029	9	SS #10 X 3/8" Pan HL Screw

# 73000 Aluminum Bottom Panel for I602HL, I622HL, I632 and I652



# 7300TH Aluminum Hinged Top Panel Kit for I602HL, I622HL, I632 and I652

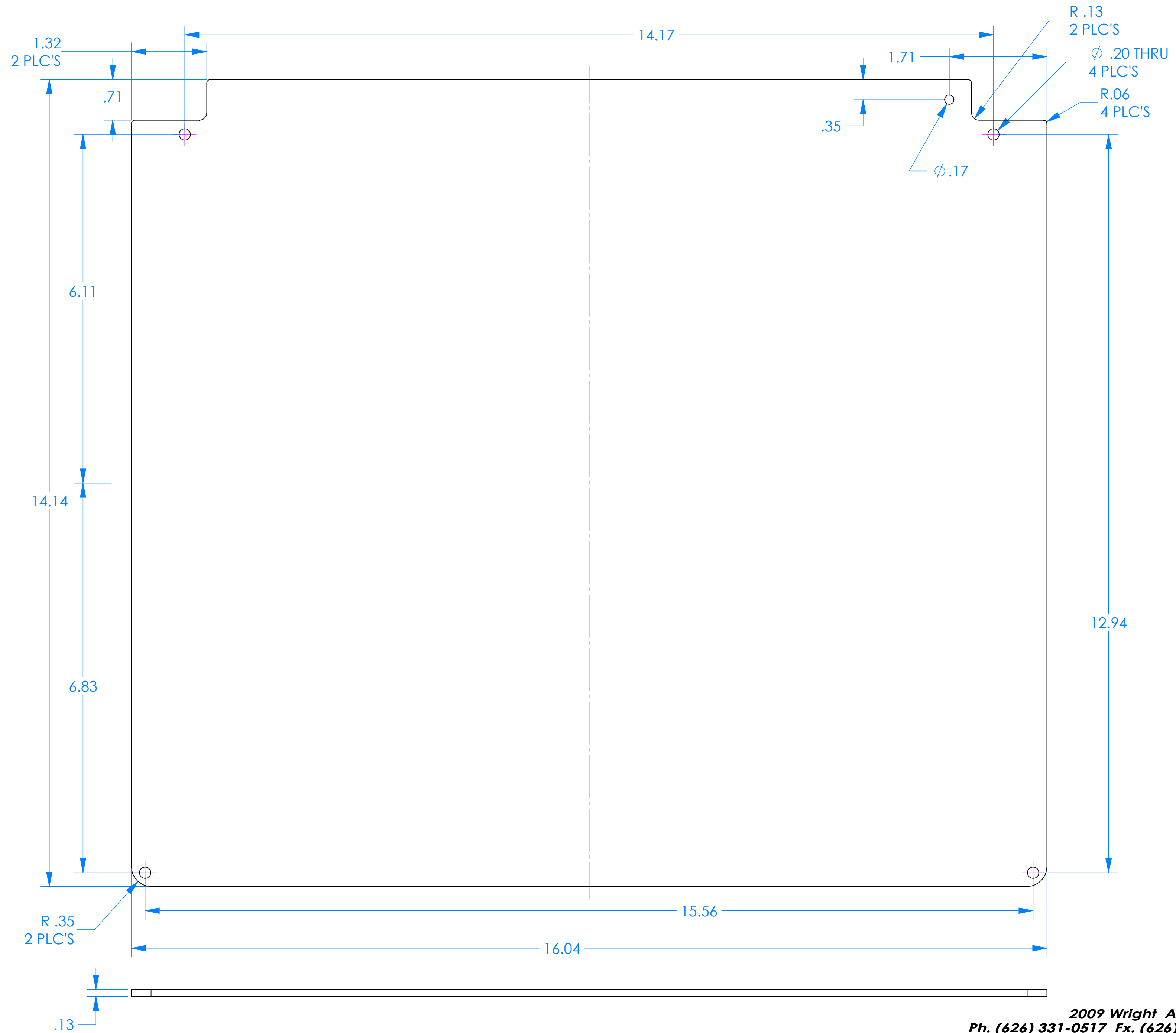


Optional kit  
pn 7300TH

Parts Included in kit number 7300TH		
P/N	Qty.	Description
73020	1	Hinged Top Aluminum Panel
6029	2	SS #10 X 3/8" Pan HL Screw
6030	2	SS #10 X 3/8" Pan Combo H/L Screw
6105	2	SS #10-32 X1/8" Nut
6028	2	SS #10 X 5/8" PH HD H/L Screw
1307	2	Hinge Pin for Hinge Panel
1308	1	Hinge A for Hinge Panel
1309	1	Hinge B for Hinge Panel



# 73020 Aluminum Hinged Panel for I602HL, I622HL, I632 and I652



## X-ON Electronics

Largest Supplier of Electrical and Electronic Components

*Click to view similar products for [Electrical Enclosures](#) category:*

*Click to view products by [SERPAC](#) manufacturer:*

Other Similar products are found below :

[120-401](#) [120-905](#) [120-909](#) [120-403](#) [130-004](#) [MR-25L+](#) [30-8739](#) [PIP-11774SCREW](#) [30-9715](#) [30-9777-BU](#) [105-905](#) [110-901](#) [A16N12BLP](#)  
[110-406](#) [110-401](#) [110-403](#) [110-404](#) [120-405](#) [34861601](#) [106-009](#) [106-505](#) [105-405](#) [111-005](#) [127-909](#) [106-502](#) [130-503](#) [127-401](#) [127-455](#)  
[9511150](#) [9511017](#) [9820011](#) [NSYTDB5PL](#) [137-455](#) [130-001](#) [105-904](#) [120-404](#) [137-005](#) [130-505](#) [127-406](#) [AB 1,5.0](#) [AB2.0](#) [ABM.0](#)  
[73345601](#) [F-MP](#) [M-MP](#) [PAT 12040](#) [2461000](#) [79541301](#) [19001001](#) [19001101](#)