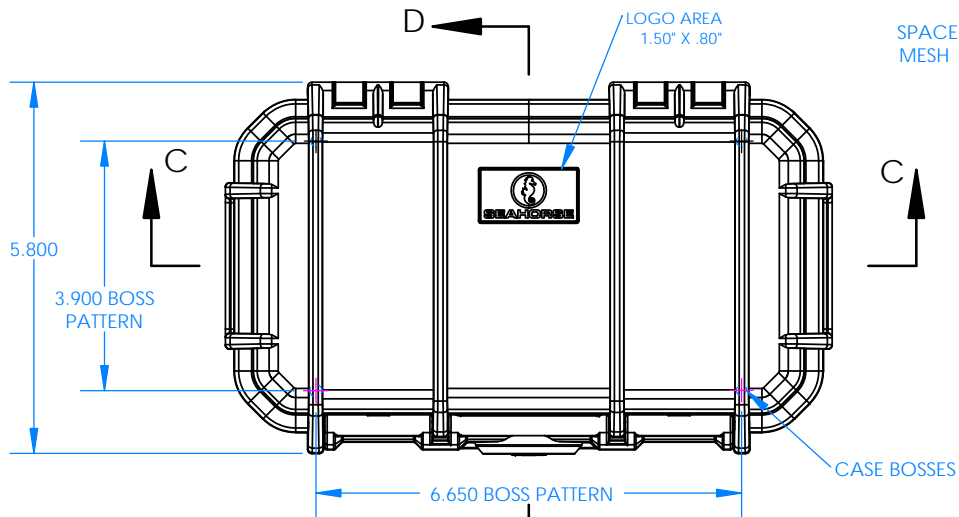
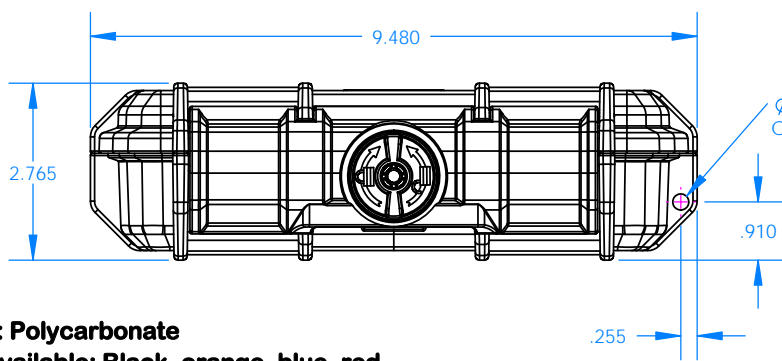
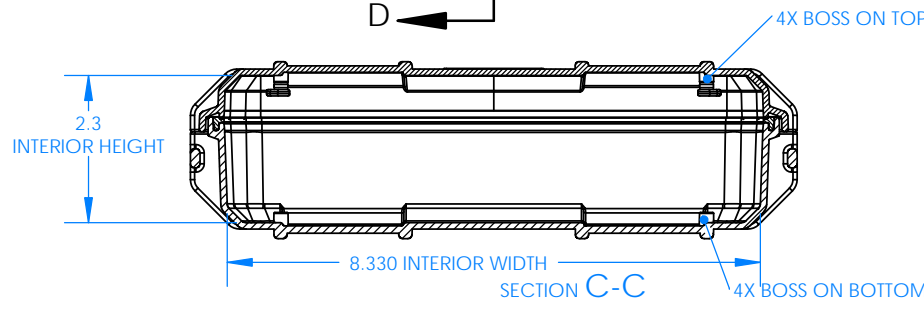
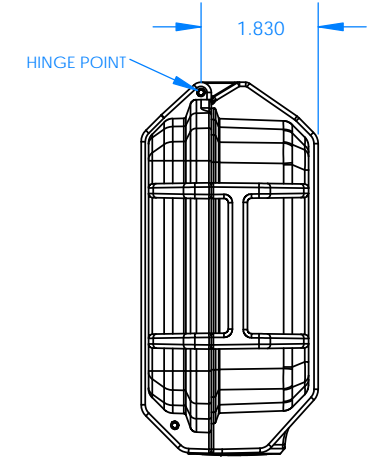
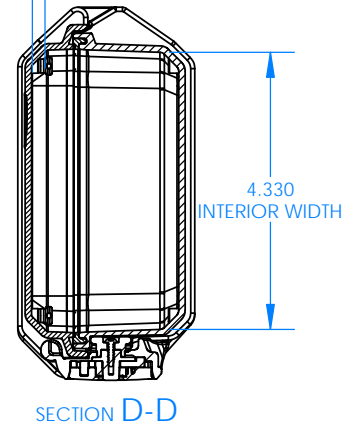


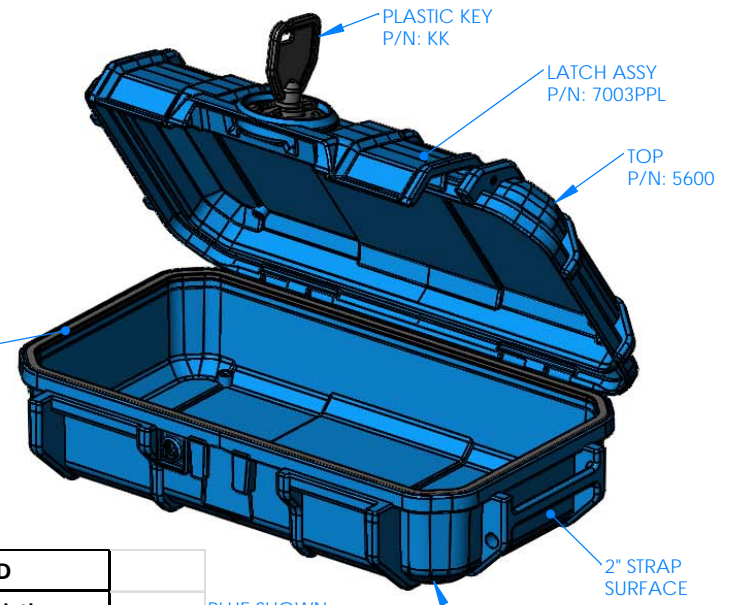
# 56F Micro Case



SPACE BETWEEN MESH AND TOP



REMOVABLE PERIMETER SEAL P/N: 56PS  
SEE SHEET 2 FOR OPTIONAL SEAL LINNER P/N: 56SL



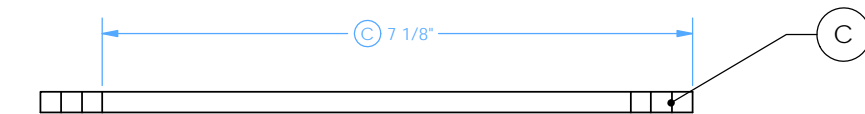
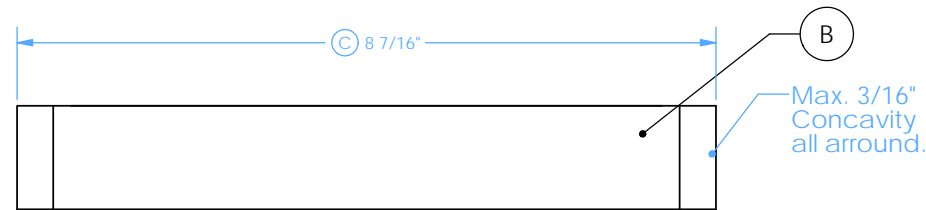
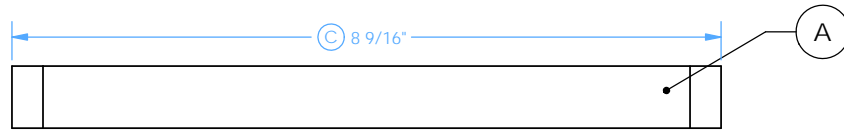
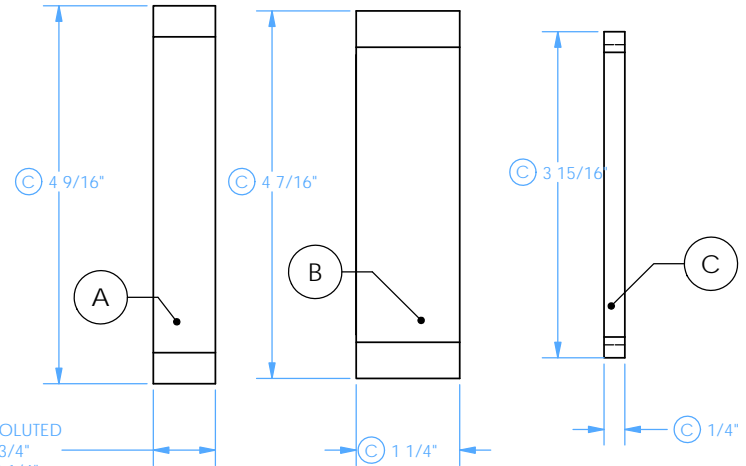
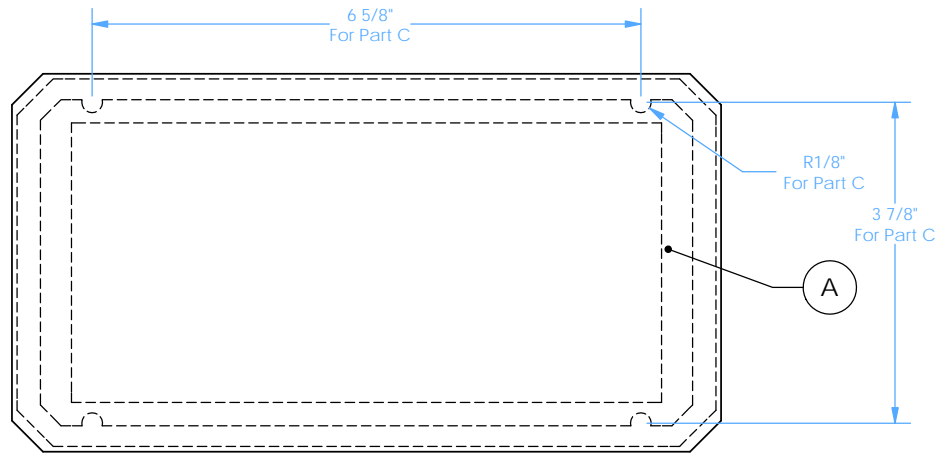
- NOTES:**
- 1) Material: Polycarbonate
  - 2) Colors available: Black, orange, blue, red, green, yellow.
  - 3) Maximum usable inside dimensions are: 8.33" X 4.33" X 2.30"

PARTS INCLUDED		
P/N	Qty.	Description
5600	1	Top
5610	1	Bottom
7003PPL	2	Plastic Latch Assembly
8003	1	O-ring
56PS	1	Perimeter Seal
KK	1	Plastic Key Set
9056	1	56 Foam Set

BLUE SHOWN  
SEE NOTE 2 FOR  
COLORS AVAILABLE

THE INFORMATION CONTAINED IN THIS DRAWING IS THE SOLE PROPERTY OF SEAHORSE. ANY REPRODUCTION IN PART OR WHOLE WITHOUT THE WRITTEN PERMISSION OF SEAHORSE IS PROHIBITED.

No.	Revision	Date
A	NEW PART	7/20/18



Ⓢ Notes:

- 1 Part -A is convoluted. Dimensions denote the peaks and valleys.
- 2 Part -B is die cut to  $3/8" \pm 1/16"$  squares. Matrix must be centered. One side must have 100% visible die cuts. The opposite side must have a minimum of 50% visible die cuts.
- 3 Maximum kerf allowed. See dimension on part view.
- 4 Measure overall dimensions at the top end of part. (opposite to the kerf)
- 5 Part -C is a flat piece of foam.
- 6 Color Pantone 425 C.
- 7 Ⓢ denotes critical to function.
- 8 No pea holes larger than 1/8" diameter allowed.
- 9 Ⓢ Material: R#4232 1.4 CHAR ELE  
Density lb/ft<sup>3</sup> min 1.25  
Supplier must provide material certification with each shipment.

UNLESS OTHERWISE SPECIFIED DIMENSIONS ARE IN INCHES.		CAD GENERATED DRAWING. DO NOT MANUALLY UPDATE		 COVINA, CA 91723 SEAHORSE.NET PH:(888) 239-6673	
TOLERANCES ARE: FRACTIONS DECIMALS ANGLES $\pm 1/8" .XX .XXX \pm 1/2"$ $\pm .01 \pm .005$		APPROVALS	DATE		
DRAWN <b>FV</b>		7/20/18		56 FOAM SET	
MATERIAL: see notes		CHECKED <b>GB</b>	7/20/18	SIZE: B	PART NUMBER: 9056
DO NOT SCALE DRAWING		Detail No.		SCALE: 1:1	CAD FILE: SHEET 1 OF 1

## X-ON Electronics

Largest Supplier of Electrical and Electronic Components

*Click to view similar products for [Storage Boxes & Cases](#) category:*

*Click to view products by [SERPAC](#) manufacturer:*

Other Similar products are found below :

[120Y](#) [120R](#) [18090-2](#) [A221](#) [17800-2](#) [T221](#) [T600](#) [T824](#) [57/13512PK](#) [6777TF](#) [T1400](#) [V401](#) [3005C](#) [A101](#) [DB226](#) [DB216](#) [T4004](#) [T623](#)  
[T9100](#) [T5008](#) [DB211](#) [K818](#) [A208](#) [A618](#) [50030](#) [T9501](#) [DB201](#) [T900BK](#) [A602](#) [A209](#) [5202CL](#) [T1408B](#) [1400](#) [6770DV](#) [PPK-29087](#)  
[SE52F, RD](#) [38851](#) [38854](#) [SP1515.0](#) [SP104.0](#) [6778TD](#) [2428393](#) [456313](#) [456520](#) [457204](#) [457210](#) [457240](#) [SE520,GM](#) [SE520,OR](#)  
[BMA456201+](#)