

APPROVAL SHEET

Approval Specification	Customer's Approval Certificate
TO:	Checked & Approved by:
Part No.:	Date:
Customer's Part No.:	Please return this copy as a certification of your approval

Shenzhen Huayuan Micro Electronic Technology Co.Ltd.

Tel: +86-0755-29881155-8006

Fax: +86-0755-29881157

E-mail: sfsaw_sales@163.com

QQ: 3037058772

Website: <http://www.sfsaw.com> <http://www.szhywd.net>

Add: No.5 Zhuangcun Road, Xiner Community,
Shajing Street, Baoan District, Shenzhen



Part No.	:	SFR370D
Pages	:	4
Date	:	2016/8/1
Revision	:	2.0

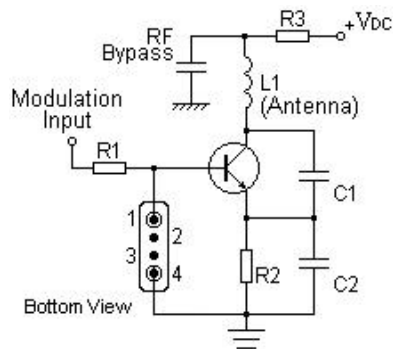
Features

- 1-port Resonator
- Metal Case for **SC04-06**
- **RoHS** compatible
- Package Code SC04-06
- **Electrostatic Sensitive Device(ESD)**

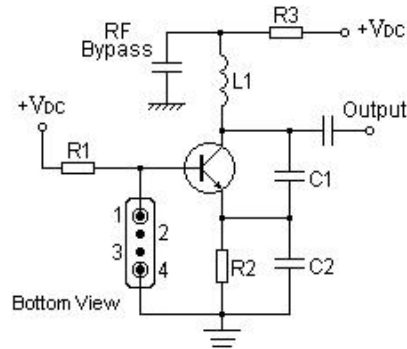


Application

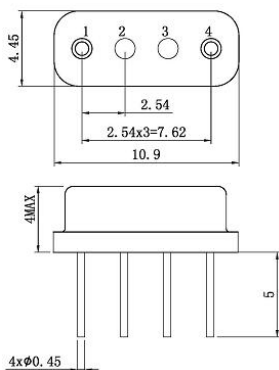
Typical Low-Power Transmitter Application



Typical Local Oscillator Application



Package Dimensions (SC04-06)



Pin Configuration

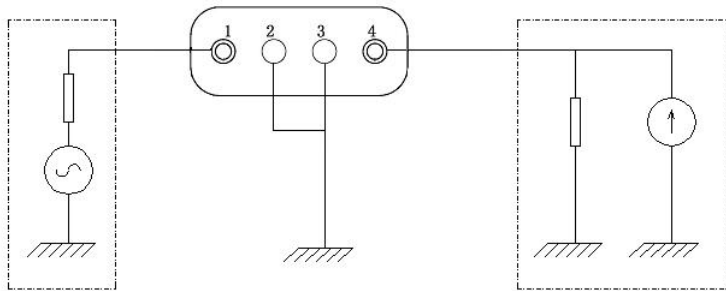
1	Input/ Output
4	Output/ Input
2,3	Case Ground

Marking

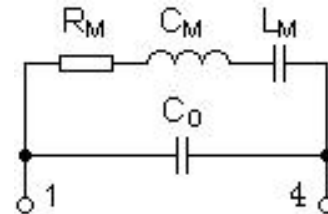


SF	Trademark
R	SAW Resonator
370D	Part number

Test Circuit



Equivalent LC Model



Performance

Maximum Rating

Item		Value	Unit
DC Voltage	V_{DC}	± 30	V
Operation Temperature	T	-40 ~ +85	$^{\circ}\text{C}$
Storage Temperature	T_{stg}	-40 ~ +85	$^{\circ}\text{C}$
RF Power Dissipation	P	25	dBm

Electronic Characteristics

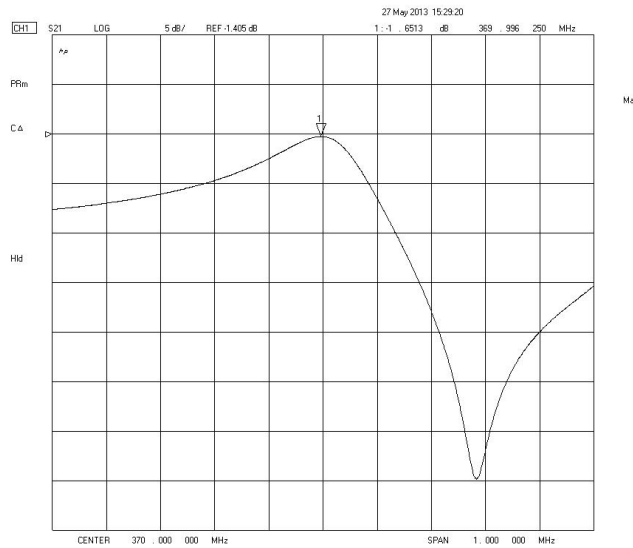
Test Temperature: $25^{\circ}\text{C} \pm 2^{\circ}\text{C}$

Terminating source impedance: 50Ω

Terminating load impedance: 50Ω

Item			Minimum	Typical	Maximum	Unit
Center Frequency	Absolute Frequency	f_c		370.00		MHz
	Tolerance from 370.00MHz	Δf_c		± 75		KHz
Insertion Loss(min)		IL		1.7	2.2	dB
Quality Factor	Unloaded Q	Q_U		17744		
	50Ω Loaded Q	Q_L		2086		
Frequency Aging	Absolute Value during the First Year	$ f_A $		≤ 10		ppm/yr
DC Insulation Resistance between Any Two Pins			1.0			$M\Omega$
RF Equivalent RLC Model	Motional Resistance	R_M		14	25	Ω
	Motional Inductance	L_M		102		μH
	Motional Capacitance	C_M		1.8		fF
	Static Capacitance	C_0	1.7	2.0	2.3	pF

Frequency Response



Reliability (The SAW components shall remain electrical performance after tests)

No.	Test item	Test condition
1	Temperature Storage	(1) Temperature: $85^{\circ}\text{C} \pm 2^{\circ}\text{C}$, Duration: 250h , Recovery time: $2\text{h} \pm 0.5\text{h}$ (2) Temperature: $-40^{\circ}\text{C} \pm 3^{\circ}\text{C}$, Duration: 250h , Recovery time: $2\text{h} \pm 0.5\text{h}$
2	Humidity Test	Conditions: $60^{\circ}\text{C} \pm 2^{\circ}\text{C}$, 90~95% RH Duration: 250h
3	Thermal Shock	Heat cycle conditions: TA= $-40^{\circ}\text{C} \pm 3^{\circ}\text{C}$, TB= $85^{\circ}\text{C} \pm 2^{\circ}\text{C}$, t1=t2=30min, Switch time: $\leq 3\text{min}$, Cycle time: 100 times , Recovery time : $2\text{h} \pm 0.5\text{h}$.
4	Vibration Fatigue	Frequency of vibration: 10~55Hz Amplitude:1.5mm Directions: X,Y and Z Duration: 2h
5	Drop Test	Cycle time: 10 times Height: 1.0m
6	Solder Ability Test	Temperature: $245^{\circ}\text{C} \pm 5^{\circ}\text{C}$ Duration: 3.0s--5.0s Depth: DIP--2/3 , SMD--1/5
7	Resistance to Soldering Heat	(1)Thickness of PCB:1mm , Solder condition: $260^{\circ}\text{C} \pm 5^{\circ}\text{C}$, Duration: $10 \pm 1\text{s}$ (2)Temperature of Soldering Iron: $350^{\circ}\text{C} \pm 10^{\circ}\text{C}$, Duration: 3~4s , Recovery time : $2 \pm 0.5\text{h}$

Notes

- As a result of the particularity of inner structure of SAW products, it easy to be breakdown by electrostatic, so we should pay attention to **ESD protect** in the test.
- Static voltage** between signal load and ground may cause deterioration and destruction of the component. Please avoid static voltage.
- Ultrasonic cleaning** may cause deterioration and destruction of the component. Please avoid ultrasonic cleaning.
- Only leads of component may **be soldered**. Please avoid soldering another part of component.
- There is a close relationship between the device's performance and **matching network**. The specifications of this device are based on the test circuit shown above. L and C values may change depending on board layout. Values shown are intended as a guide only.

X-ON Electronics

Largest Supplier of Electrical and Electronic Components

Click to view similar products for [Crystals](#) category:

Click to view products by [Sf manufacturer](#):

Other Similar products are found below :

[CS325S24000000ABJT](#) [718-13.2-1](#) [MC405 32.0000K-R3:PURE SN](#) [FC-135R 32.7680KF-A3](#) [7A-40.000MAAE-T](#) [7B-27.000MBBK-T](#)
[FL2000085](#) [9B-15.360MBBK-B](#) [9C-7.680MBBK-T](#) [ASH7K-32.768KHZ](#) [AT-41.600MAGQ-T](#) [BTD1062E05A-513](#) [LFX TAL066198Cutt](#)
[9C-14.31818MBBK-T](#) [FA-238 50.0000MB30X-K3](#) [FC-12M 32.7680KA-AC3](#) [SSPT7F-9PF20-R](#) [FX325BS-38.88EEM1201](#)
[LFX TAL065253Cutt](#) [LFX TAL066431Cutt](#) [XT9S20ANA14M7456](#) [XT9SNLANA16M](#) [646G-24-2](#) [7A-24.576MBBK-T](#) [7B-30.000MBBK-T](#)
[WX26-32.768K-6PF](#) [9B-14.31818MBBK-B](#) [CD1AM](#) [7B-25.000MAAE-T](#) [7A-14.31818MBBK-T](#) [6504-202-1501](#) [6526-202-1501](#) [FA-118T](#)
[27.1200MB50P-K0](#) [FC-135R 32.7680KA-A3](#) [ABM12-104-37.400MHZT](#) [ABLS-10.000MHZ-D3W-T](#) [BTJ112E01E-513](#) [BTJ722K01C-7067](#)
[BTL-20-513](#) [TSX-3225 24.0000MF15X-AC](#) [TSX-3225 16.0000MF18X-AC](#) [BTJ120E02C](#) [BTL-12-513](#) [7A-10.000MBBK-T](#) [7A-](#)
[11.0592MBBK-T](#) [ABM12-103-24.000MHZT](#) [CS325S25000000ABJT](#) [ABM3B-25.000MHZ-B2-X-T](#) [FC-135 32.7680KA-A5](#) [FX0800015](#)