

# APPROVAL SHEET

Approval Specification	Customer's Approval Certificate
TO:	Checked & Approved by:
Part No.:	Date:
Customer's Part No.:	Please return this copy as a certification of your approval

## Shenzhen Huayuan Micro Electronic Technology Co.Ltd.

Tel: +86-0755-29881155-8006

Fax: +86-0755-29881157

E-mail: [sfsaw\\_sales@163.com](mailto:sfsaw_sales@163.com)

QQ: 3037058772

Website: <http://www.sfsaw.com> <http://www.szhywd.net>

Add: No.5 Zhuangcun Road, Xiner Community,  
Shajing Street, Baoan District, Shenzhen



Part No.	:	SFR390D
Pages	:	4
Date	:	2016/8/1
Revision	:	2.0

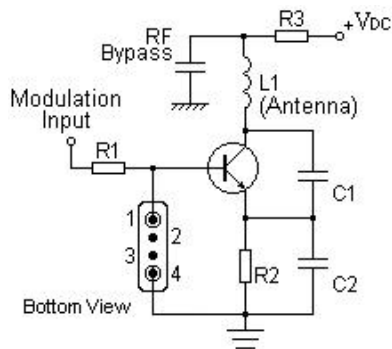
**Features**

- 1-port Resonator
- Metal Case for **SC04-06**
- **RoHS** compatible
- Package Code SC04-06
- **Electrostatic Sensitive Device(ESD)**

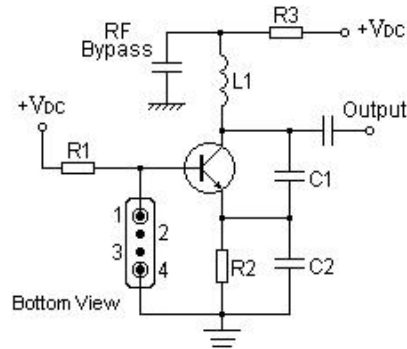


**Application**

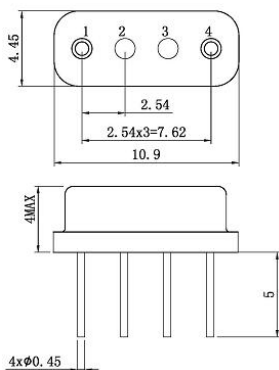
Typical Low-Power Transmitter Application



Typical Local Oscillator Application



**Package Dimensions (SC04-06)**



**Pin Configuration**

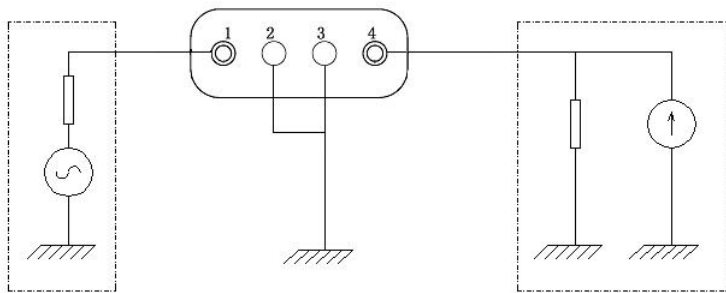
<b>1</b>	Input/ Output
<b>4</b>	Output/ Input
<b>2,3</b>	Case Ground

**Marking**

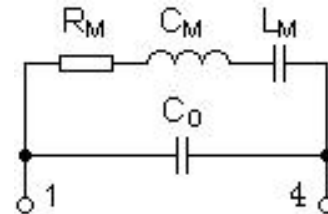


<b>SF</b>	Trademark
<b>R</b>	SAW Resonator
<b>390D</b>	Part number

## Test Circuit



## Equivalent LC Model



## Performance

## Maximum Rating

Item		Value	Unit
DC Voltage	$V_{DC}$	$\pm 30$	V
Operation Temperature	T	-40 ~ +85	$^{\circ}\text{C}$
Storage Temperature	$T_{stg}$	-40 ~ +85	$^{\circ}\text{C}$
RF Power Dissipation	P	25	dBm

## Electronic Characteristics

Test Temperature:  $25^{\circ}\text{C} \pm 2^{\circ}\text{C}$

Terminating source impedance:  $50\Omega$

Terminating load impedance:  $50\Omega$

Item			Minimum	Typical	Maximum	Unit
Center Frequency	Absolute Frequency	$f_c$		390.00		MHz
	Tolerance from 390.00MHz	$\Delta f_c$		$\pm 75$		KHz
Insertion Loss(min)		IL		1.4	2.0	dB
Quality Factor	Unloaded Q	$Q_U$		18086		
	$50\Omega$ Loaded Q	$Q_L$		1808		
Frequency Aging	Absolute Value during the First Year	$ f_A $		$\leq 10$		ppm/yr
DC Insulation Resistance between Any Two Pins			1.0			$M\Omega$
RF Equivalent RLC Model	Motional Resistance	$R_M$		11.2	18.3	$\Omega$
	Motional Inductance	$L_M$		82.07		$\mu\text{H}$
	Motional Capacitance	$C_M$		2.03		fF
	Static Capacitance	$C_0$	3.0	3.2	3.4	pF



## X-ON Electronics

Largest Supplier of Electrical and Electronic Components

*Click to view similar products for [Crystals](#) category:*

*Click to view products by [Sf manufacturer](#):*

Other Similar products are found below :

[CS325S24000000ABJT](#) [718-13.2-1](#) [MC405 32.0000K-R3:PURE SN](#) [FC-135R 32.7680KF-A3](#) [7A-40.000MAAE-T](#) [7B-27.000MBBK-T](#)  
[FL2000085](#) [9B-15.360MBBK-B](#) [9C-7.680MBBK-T](#) [ASH7K-32.768KHZ](#) [AT-41.600MAGQ-T](#) [BTD1062E05A-513](#) [LFX TAL066198Cutt](#)  
[9C-14.31818MBBK-T](#) [FA-238 50.0000MB30X-K3](#) [FC-12M 32.7680KA-AC3](#) [SSPT7F-9PF20-R](#) [FX325BS-38.88EEM1201](#)  
[LFX TAL065253Cutt](#) [LFX TAL066431Cutt](#) [XT9S20ANA14M7456](#) [XT9SNLANA16M](#) [646G-24-2](#) [7A-24.576MBBK-T](#) [7B-30.000MBBK-T](#)  
[WX26-32.768K-6PF](#) [9B-14.31818MBBK-B](#) [CD1AM](#) [7B-25.000MAAE-T](#) [7A-14.31818MBBK-T](#) [6504-202-1501](#) [6526-202-1501](#) [FA-118T](#)  
[27.1200MB50P-K0](#) [FC-135R 32.7680KA-A3](#) [ABM12-104-37.400MHZT](#) [ABLS-10.000MHZ-D3W-T](#) [BTJ112E01E-513](#) [BTJ722K01C-7067](#)  
[BTL-20-513](#) [TSX-3225 24.0000MF15X-AC](#) [TSX-3225 16.0000MF18X-AC](#) [BTJ120E02C](#) [BTL-12-513](#) [7A-10.000MBBK-T](#) [7A-](#)  
[11.0592MBBK-T](#) [ABM12-103-24.000MHZT](#) [CS325S25000000ABJT](#) [ABM3B-25.000MHZ-B2-X-T](#) [FC-135 32.7680KA-A5](#) [FX0800015](#)