

APPROVAL SHEET

Approval Specification	Customer's Approval Certificate
TO:	Checked & Approved by:
Part No.:	Date:
Customer's Part No.:	Please return this copy as a certification of your approval

Shenzhen Huayuan Micro Electronic Technology Co.Ltd.

Tel: +86-0755-29881155-8006

Fax: +86-0755-29881157

E-mail: sfsaw_sales@163.com

QQ: 3037058772

Website: <http://www.sfsaw.com> <http://www.szhywd.net>

Add: No.5 Zhuangcun Road, Xiner Community,
Shajing Street, Baoan District, Shenzhen



Part No.	:	SFR430D
Pages	:	4
Date	:	2016/8/1
Revision	:	2.0

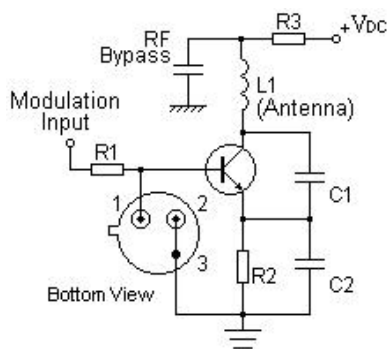
Features

- 1-port Resonator
- Metal Case for TO-39
- RoHS compatible
- Package Code TO-39
- Electrostatic Sensitive Device(ESD)

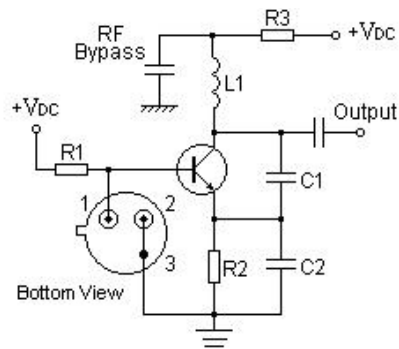


Application

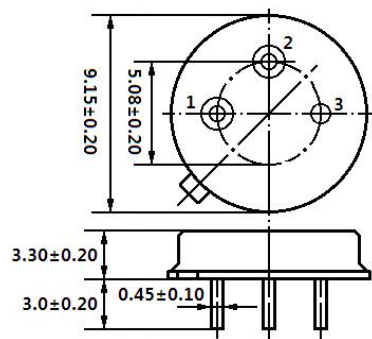
Typical Low-Power Transmitter Application



Typical Local Oscillator Application



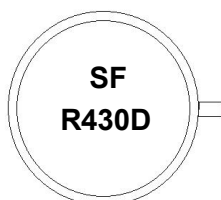
Package Dimensions (TO-39)



Pin Configuration

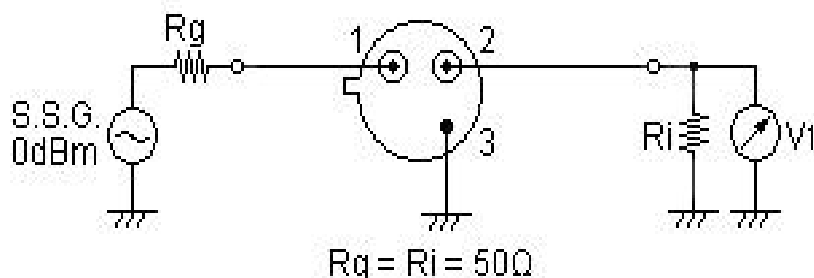
1	Input/ Output
2	Output/ Input
3	Case Ground

Marking

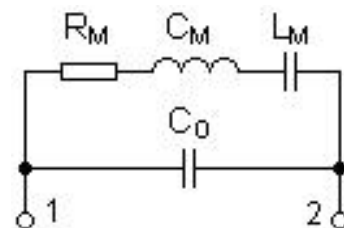


SF	Trademark
R	SAW Resonator
430D	Part number

Test Circuit



Equivalent LC Model



Performance

Maximum Rating

Item		Value	Unit
DC Voltage	V_{DC}	± 30	V
Operation Temperature	T	-40 ~ +85	$^{\circ}C$
Storage Temperature	T_{stg}	-40 ~ +85	$^{\circ}C$
RF Power Dissipation	P	25	dBm

Electronic Characteristics

Test Temperature: $25^{\circ}C \pm 2^{\circ}C$

Terminating source impedance: 50Ω

Terminating load impedance: 50Ω

Item		Minimum	Typical	Maximum	Unit
Center Frequency	Absolute Frequency	f_c	430.500		MHz
	Tolerance from 430.50MHz	Δf_c	± 75		KHz
Insertion Loss(min)		IL	1.7	2.1	2.0
Quality Factor	Unloaded Q	Q_U	13002		
	50Ω Loaded Q	Q_L	1770		
Frequency Aging	Absolute Value during the First Year	$ f_A $	≤ 10		ppm/yr
DC Insulation Resistance between Any Two Pins			1.0		
RF Equivalent RLC Model	Motional Resistance	R_M	15.5	17.0	Ω
	Motional Inductance	L_M	75.82		μH
	Motional Capacitance	C_M	1.80		fF
	Static Capacitance	C_0	2.2	2.5	2.8

X-ON Electronics

Largest Supplier of Electrical and Electronic Components

Click to view similar products for [Crystals](#) category:

Click to view products by [Sf manufacturer](#):

Other Similar products are found below :

[CS325S24000000ABJT](#) [718-13.2-1](#) [MC405 32.0000K-R3:PURE SN](#) [FC-135R 32.7680KF-A3](#) [7A-40.000MAAE-T](#) [7B-27.000MBBK-T](#)
[FL2000085](#) [9B-15.360MBBK-B](#) [9C-7.680MBBK-T](#) [ASH7K-32.768KHZ](#) [AT-41.600MAGQ-T](#) [BTD1062E05A-513](#) [LFX TAL066198Cutt](#)
[9C-14.31818MBBK-T](#) [FA-238 50.0000MB30X-K3](#) [FC-12M 32.7680KA-AC3](#) [SSPT7F-9PF20-R](#) [FX325BS-38.88EEM1201](#)
[LFX TAL065253Cutt](#) [LFX TAL066431Cutt](#) [XT9S20ANA14M7456](#) [XT9SNLANA16M](#) [646G-24-2](#) [7A-24.576MBBK-T](#) [7B-30.000MBBK-T](#)
[WX26-32.768K-6PF](#) [9B-14.31818MBBK-B](#) [CD1AM](#) [7B-25.000MAAE-T](#) [7A-14.31818MBBK-T](#) [6504-202-1501](#) [6526-202-1501](#) [FA-118T](#)
[27.1200MB50P-K0](#) [FC-135R 32.7680KA-A3](#) [ABM12-104-37.400MHZT](#) [ABLS-10.000MHZ-D3W-T](#) [BTJ112E01E-513](#) [BTJ722K01C-7067](#)
[BTL-20-513](#) [TSX-3225 24.0000MF15X-AC](#) [TSX-3225 16.0000MF18X-AC](#) [BTJ120E02C](#) [BTL-12-513](#) [7A-10.000MBBK-T](#) [7A-](#)
[11.0592MBBK-T](#) [ABM12-103-24.000MHZT](#) [CS325S25000000ABJT](#) [ABM3B-25.000MHZ-B2-X-T](#) [FC-135 32.7680KA-A5](#) [FX0800015](#)