



SGM3001/SGM3002

Low ON-Resistance, Low Voltage, SPDT Analog Switch

GENERAL DESCRIPTION

The SGM3001 (single) and SGM3002 (dual) are bidirectional, low on-resistance, low voltage, single-pole/double-throw (SPDT) CMOS analog switches designed to operate from a single +1.8V to +5.5V supply. Targeted applications include battery powered equipment that benefit from low R_{ON} (2.5Ω) and fast switching speeds SGM3001 ($t_{ON} = 11ns$, $t_{OFF} = 30ns$) and SGM3002 ($t_{ON} = 11ns$, $t_{OFF} = 8ns$).

The on-resistance profile is very flat over the full analog signal range. This ensures excellent linearity and low distortion when switching audio signals.

The SGM3002 is a committed dual single-pole/double-throw (SPDT) that consist of two normally open (NO) and two normally close (NC) switches. This configuration can be used as a dual 2-to-1 multiplexer.

The single version SGM3001 is available in Green SC70-6 package. The dual version SGM3002 is available in Green MSOP-10 package.

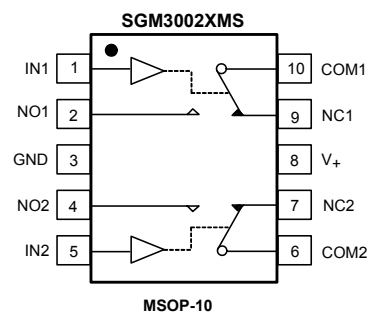
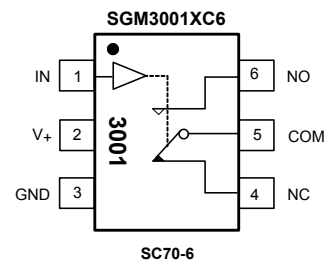
APPLICATIONS

- Battery powered, Handheld, and Portable Equipment
 - Cellular/mobile Phones
 - Laptops, Notebooks, Palmtops
- Communication Systems
- Sample-and-Hold Circuits
- Audio Signal Routing
- Audio and Video Switching
- Portable Test and Measurement
- Medical Equipment

FEATURES

- Low Voltage Operation : 1.8V to 5.5V
- Low On-Resistance: 2.5Ω (TYP)
- Low On-Resistance Flatness
- -3dB Bandwidth: 120MHz
- Fast Switching Times
 - t_{ON} 11ns
 - t_{OFF} 30ns (SGM3001)
 - t_{OFF} 8ns (SGM3002)
- Rail-to-Rail Operation
- Typical Power Consumption ($< 0.01\mu W$)
- TTL/CMOS Compatible
- Microsize Package

PIN CONFIGURATIONS (TOP VIEW)



FUNCTION TABLE

LOGIC	NO, NO1, NO2	NC, NC1, NC2
0	OFF	ON
1	ON	OFF

PACKAGE/ORDERING INFORMATION

MODEL	PIN-PACKAGE	SPECIFIED TEMPERATURE RANGE	ORDERING NUMBER	PACKAGE MARKING	PACKAGE OPTION
SGM3001	SC70-6	-40°C to +125°C	SGM3001XC6/TR	3001	Tape and Reel, 3000
SGM3002	MSOP-10	-40°C to +125°C	SGM3002XMS/TR	SGM3002XMS	Tape and Reel, 3000

ABSOLUTE MAXIMUM RATINGS

V ₊ to GND.....	-0.3V to 6V
Analog, Digital voltage range ⁽¹⁾	-0.3V to (V ₊) + 0.3V
Continuous Current NO, NC, or COM.....	±150mA
Peak Current NO, NC, or COM	±250mA
Package Thermal Resistance @ T _A = 25°C	
SC70-6, θ _{JA}	333°C/W
MSOP-10, θ _{JA}	205°C/W
Operating Temperature Range.....	-40°C to +125°C
Junction Temperature	150°C
Storage Temperature Range.....	-65°C to +150°C
Lead Temperature (soldering, 10s).....	260°C
ESD Susceptibility	
HBM.....	2000V
MM.....	400V

NOTES:

1. Signals on NC, NO, or COM or IN exceeding V₊ will be clamped by internal diodes. Limit forward diode current to maximum current ratings.
2. Stresses beyond those listed under "Absolute Maximum Ratings" may cause permanent damage to the device. These are stress ratings only, and functional operation of the device at these or any other conditions beyond those indicated in the operational sections of the specifications is not implied. Exposure to absolute maximum rating conditions for extended periods may affect device reliability.

PIN DESCRIPTION

NAME	SC70-6 PIN	MSOP-10 PIN	FUNCTION
V ₊	2	8	Power Supply.
GND	3	3	Ground.
IN(IN1, IN2)	1	1, 5	Digital Control Pin to Connect the COM Terminal to the NO or NC Terminals.
COM(COM1, COM2)	5	6, 10	Common Terminal.
NO(NO1, NO2)	6	2, 4	Normally-Open Terminal.
NC(NC1, NC2)	4	7, 9	Normally-Closed Terminal.

NOTE: NO, NC and COM terminals may be an input or output.

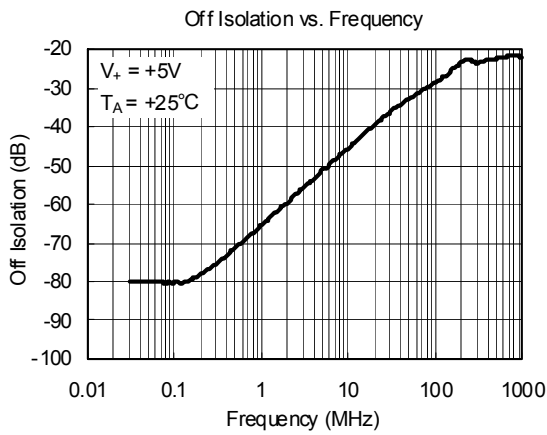
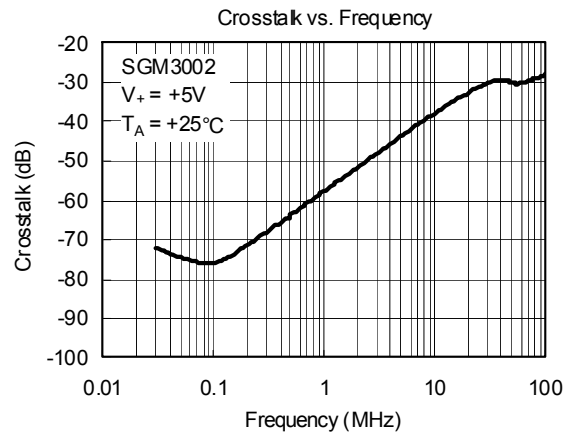
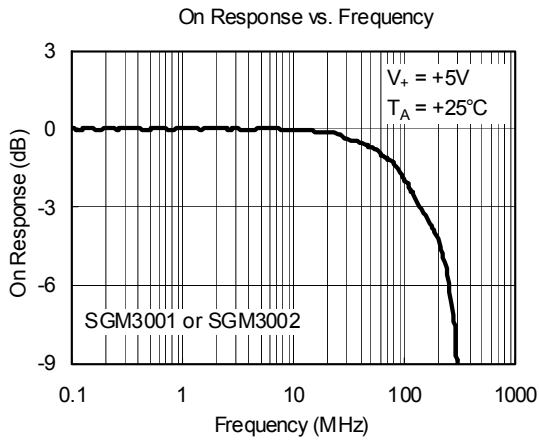
ELECTRICAL CHARACTERISTICS(V₊ = +5V ± 10%, GND = 0V, all specifications -40°C to +125°C. Typical values are at T_A = +25°C, unless otherwise noted.)

PARAMETER	SYMBOL	CONDITIONS	SGM3001/3002			
			+25°C	-40°C to +125°C	UNITS	MIN/ MAX
ANALOG SWITCH						
Analog Signal Range	V _{NO} , V _{NC} , V _{COM}			0	V	MIN
				V ₊	V	MAX
On-Resistance	R _{ON}	0 ≤ V _{NO} or V _{NC} ≤ V ₊ , I _{COM} = -10mA, Test Circuit 1	2.5		Ω	TYP
			3.7	4.5	Ω	MAX
On-Resistance Match Between Channels	ΔR _{ON}	0 ≤ V _{NO} or V _{NC} ≤ V ₊ , I _{COM} = -10mA, Test Circuit 1	0.1		Ω	TYP
			0.8	0.9	Ω	MAX
On-Resistance Flatness	R _{FLAT(ON)}	0 ≤ V _{NO} or V _{NC} ≤ V ₊ , I _{COM} = -10mA, Test Circuit 1	0.75		Ω	TYP
			0.85	0.9	Ω	MAX
LEAKAGE CURRENTS						
Source OFF Leakage Current	I _{NC(OFF)} , I _{NO(OFF)}	V _{NO} or V _{NC} = 4.5V/1V, V _{COM} = 1V/4.5V, V ₊ = +5.5V, Test Circuit 2	±5		nA	TYP
			±11	±1000	nA	MAX
Channel ON Leakage Current	I _{NC(ON)} , I _{NO(ON)} , I _{COM(ON)}	V _{NO} or V _{NC} = V _{COM} = 1V or 4.5V, V ₊ = +5.5V, Test Circuit 3	±5		nA	TYP
			±11	±1000	nA	MAX
DIGITAL INPUTS						
Input High Voltage	V _{INH}			2.4	V	MIN
Input Low Voltage	V _{INL}			0.8	V	MAX
Input Current	I _{INL} or I _{INH}	V _{IN} = V _{INH} or V _{INL}	±0.01		μA	TYP
			±0.1	±1	μA	MAX
DYNAMIC CHARACTERISTICS						
Turn-On Time	t _{ON}	V _{NO} or V _{NC} = 3V, R _L = 300Ω, C _L = 35pF, Test Circuit 4	11		ns	TYP
Turn-Off Time	SGM3001	V _{NO} or V _{NC} = 3V, R _L = 300Ω, C _L = 35pF, Test Circuit 4	30		ns	TYP
	SGM3002		8		ns	TYP
Charge Injection	Q	C _L = 1.0nF, V _G = 0V, R _G = 0Ω, Test Circuit 5	3		pC	TYP
Break-Before-Make Time Delay	t _D	V _{NO1} or V _{NC1} = V _{NO2} or V _{NC2} = 3V, R _L = 300Ω, C _L = 35pF, Test Circuit 6	10		ns	TYP
Off Isolation	O _{ISO}	R _L = 50Ω, C _L = 5pF, Test Circuit 7	f = 10MHz	-45	dB	TYP
			f = 1MHz	-65	dB	TYP
Channel-to-Channel Crosstalk (SGM3002 Only)	X _{TALK}	R _L = 50Ω, C _L = 5pF, Test Circuit 8	f = 10MHz	-35	dB	TYP
			f = 1MHz	-55	dB	TYP
Total Harmonic Distortion	THD	f = 20Hz to 20kHz, V _{COM} = 3.5V _{P-P} , R _L = 600Ω, C _L = 50pF	0.006		%	TYP
-3dB Bandwidth	BW	R _L = 50Ω, C _L = 5pF, Test Circuit 9	120		MHz	TYP
Source OFF Capacitance	C _{NC(OFF)} , C _{NO(OFF)}		14		pF	TYP
Channel ON Capacitance	C _{NC(ON)} , C _{NO(ON)} , C _{COM(ON)}		53		pF	TYP
POWER REQUIREMENTS						
Power Supply Current	I ₊	V ₊ = +5.5V, V _{IN} = 0V or 5V	0.001		μA	TYP
				1	μA	MAX

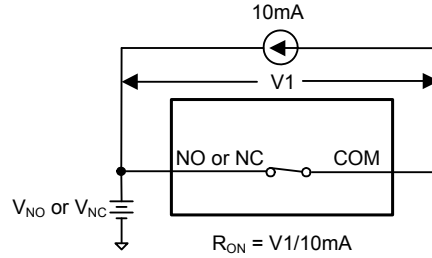
ELECTRICAL CHARACTERISTICS(V₊ = +3V ± 10%, GND = 0V, all specifications -40°C to +125°C. Typical values are at T_A = +25°C, unless otherwise noted.)

PARAMETER	SYMBOL	CONDITIONS	SGM3001/3002			
			+25°C	-40°C to +125°C	UNITS	MIN/MAX
ANALOG SWITCH						
Analog Signal Range	V _{NO} , V _{NC} , V _{COM}			0 V ₊	V V	MIN MAX
On-Resistance	R _{ON}	0 ≤ V _{NO} or V _{NC} ≤ V ₊ , I _{COM} = -10mA, Test Circuit 1	2.9 4.4	3 6	Ω Ω	TYP MAX
On-Resistance Match Between Channels	ΔR _{ON}	0 ≤ V _{NO} or V _{NC} ≤ V ₊ , I _{COM} = -10mA, Test Circuit 1	0.1 0.8	0.9	Ω Ω	TYP MAX
On-Resistance Flatness	R _{FLAT(ON)}	0 ≤ V _{NO} or V _{NC} ≤ V ₊ , I _{COM} = -10mA, Test Circuit 1	0.9 1	1.2	Ω Ω	TYP MAX
LEAKAGE CURRENTS						
Source OFF Leakage Current	I _{NC(OFF)} , I _{NO(OFF)}	V _{NO} or V _{NC} = 3V/1V, V _{COM} = 1V/3V, V ₊ = +3.3V, Test Circuit 2	±7 ±13		nA nA	TYP MAX
Channel ON Leakage Current	I _{NC(ON)} , I _{NO(ON)} , I _{COM(ON)}	V _{NO} or V _{NC} = V _{COM} = 1V or 3V, V ₊ = +3.3V, Test Circuit 3	±7 ±13	1000	nA nA	TYP MAX
DIGITAL INPUTS						
Input High Voltage	V _{INH}			2.0	V	MIN
Input Low Voltage	V _{INL}			0.4	V	MAX
Input Current	I _{INL} or I _{INH}	V _{IN} = V _{INH} or V _{INL}	±0.01 ±0.1		μA μA	TYP MAX
DYNAMIC CHARACTERISTICS						
Turn-On Time	t _{ON}	V _{NO} or V _{NC} = 2V, R _L = 300Ω, C _L = 35pF, Test Circuit 4	12		ns	TYP
Turn-Off Time	SGM3001	V _{NO} or V _{NC} = 2V, R _L = 300Ω, C _L = 35pF, Test Circuit 4	31		ns	TYP
	SGM3002		9		ns	TYP
Charge Injection	Q	C _L = 1.0nF, V _G = 0V, R _G = 0Ω, Test Circuit 5	3		pC	TYP
Break-Before-Make Time Delay	t _D	V _{NO1} or V _{NC1} = V _{NO2} or V _{NC2} = 2V, R _L = 300Ω, C _L = 35pF, Test Circuit 6	11		ns	TYP
Off Isolation	O _{ISO}	R _L = 50Ω, C _L = 5pF, Test Circuit 7	f = 10MHz	-45	dB	TYP
			f = 1MHz	-65	dB	TYP
Channel-to-Channel Crosstalk (SGM3002 Only)	X _{TALK}	R _L = 50Ω, C _L = 5pF, Test Circuit 8	f = 10MHz	-35	dB	TYP
			f = 1MHz	-55	dB	TYP
Total Harmonic Distortion	THD	f = 20Hz to 20kHz, V _{COM} = 2V _{P-P} , R _L = 600Ω, C _L = 50pF	0.005		%	TYP
-3dB Bandwidth	BW	R _L = 50Ω, C _L = 5pF, Test Circuit 9	120		MHz	TYP
Source OFF Capacitance	C _{NC(OFF)} , C _{NO(OFF)}		14		pF	TYP
Channel ON Capacitance	C _{NC(ON)} , C _{NO(ON)} , C _{COM(ON)}		53		pF	TYP
POWER REQUIREMENTS						
Power Supply Current	I ₊	V ₊ = +3.3V, V _{IN} = 0V or 3V	0.001		μA	TYP
				1	μA	MAX

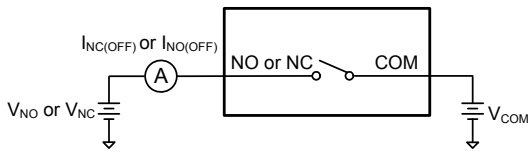
TYPICAL PERFORMANCE CHARACTERISTICS



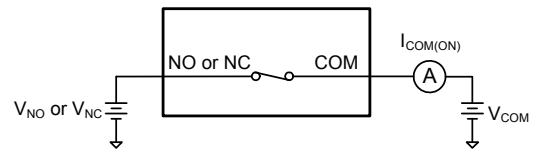
TEST CIRCUITS



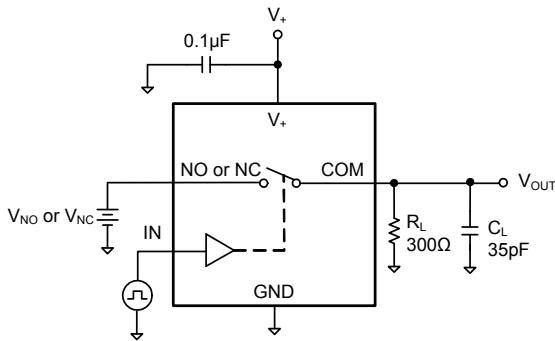
Test Circuit 1. On Resistance



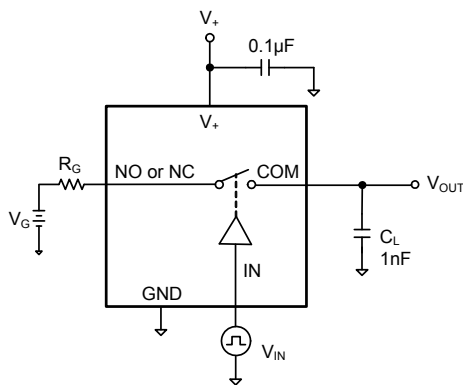
Test Circuit 2. Off Leakage



Test Circuit 3. On Leakage

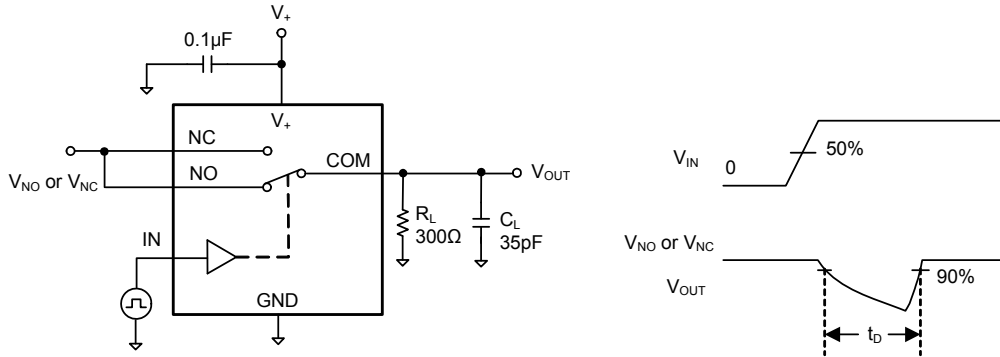


Test Circuit 4. Switching Times

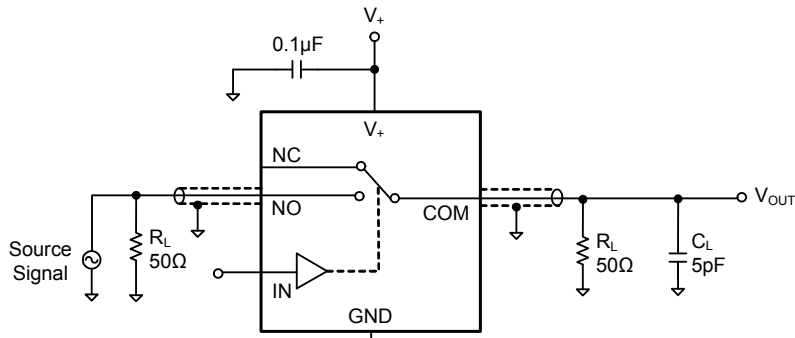


Test Circuit 5. Charge Injection

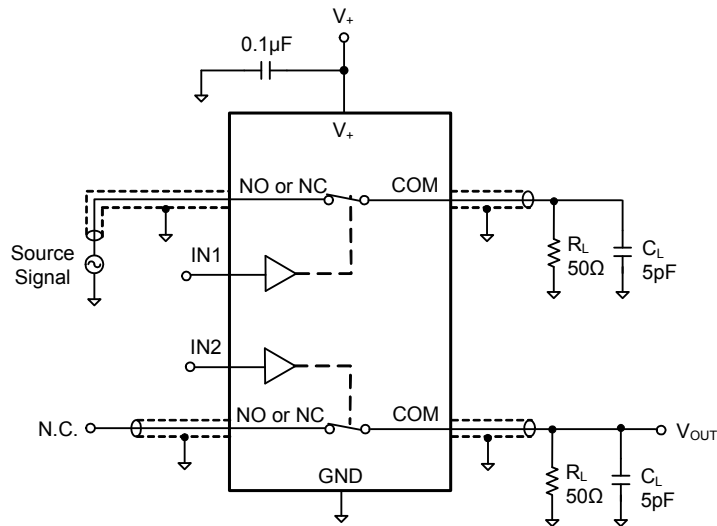
TEST CIRCUITS (Cont.)



Test Circuit 6. Break-Before-Make Time Delay, t_d



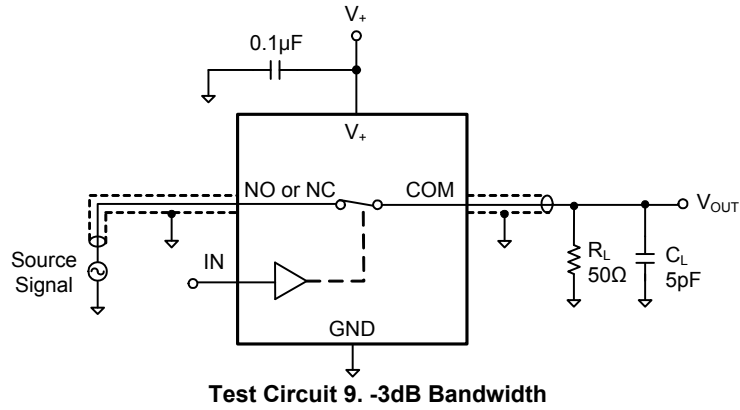
Test Circuit 7. Off Isolation



$$\text{Channel To Channel Crosstalk} = -20 \times \log \frac{V_{NO \text{ or } V_{NC}}}{V_{OUT}}$$

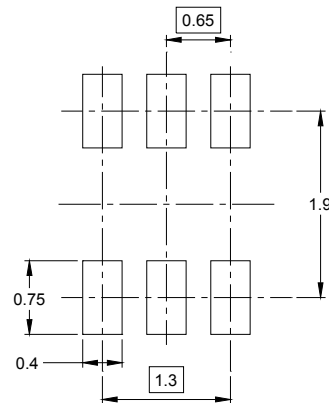
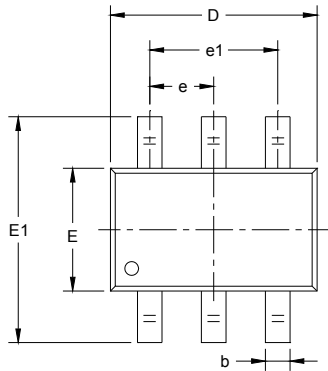
Test Circuit 8. Channel-to-Channel Crosstalk

TEST CIRCUITS (Cont.)

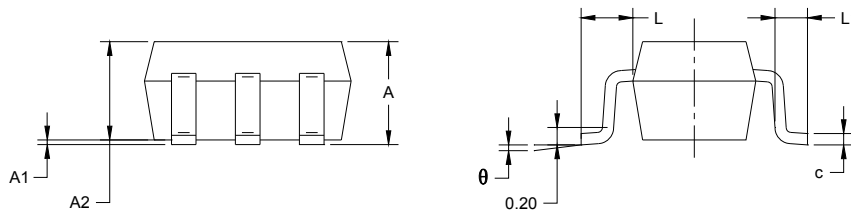


PACKAGE OUTLINE DIMENSIONS

SC70-6



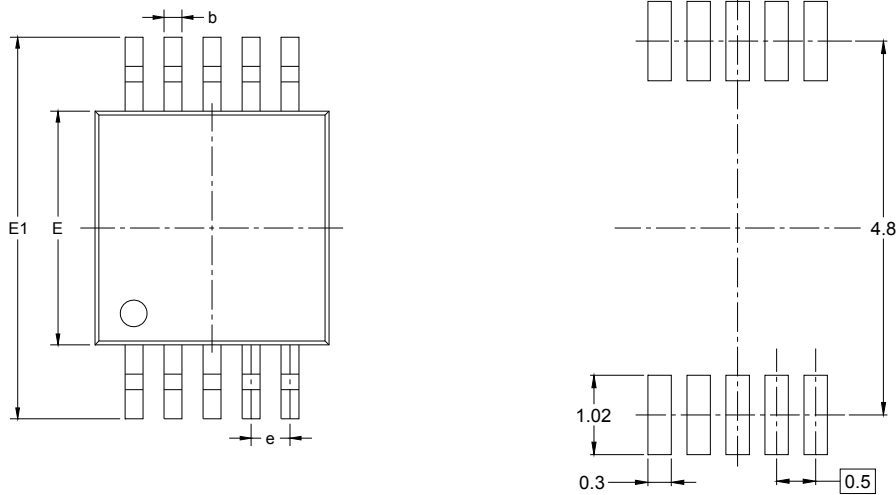
RECOMMENDED LAND PATTERN (Unit: mm)



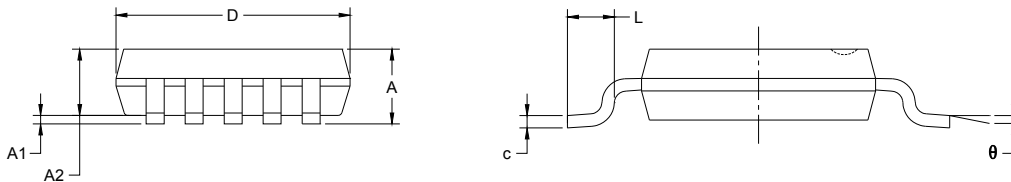
Symbol	Dimensions In Millimeters		Dimensions In Inches	
	MIN	MAX	MIN	MAX
A	0.900	1.100	0.035	0.043
A1	0.000	0.100	0.000	0.004
A2	0.900	1.000	0.035	0.039
b	0.150	0.350	0.006	0.014
c	0.080	0.150	0.003	0.006
D	2.000	2.200	0.079	0.087
E	1.150	1.350	0.045	0.053
E1	2.150	2.450	0.085	0.096
e	0.65 TYP		0.026 TYP	
e1	1.300 BSC		0.051 BSC	
L	0.525 REF		0.021 REF	
L1	0.260	0.460	0.010	0.018
θ	0°	8°	0°	8°

PACKAGE OUTLINE DIMENSIONS

MSOP-10



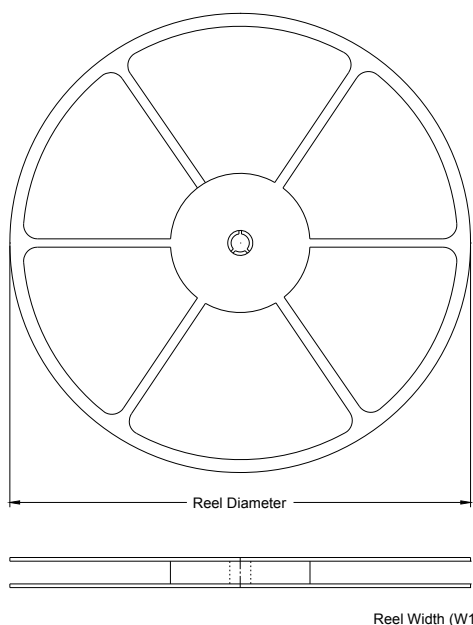
RECOMMENDED LAND PATTERN (Unit: mm)



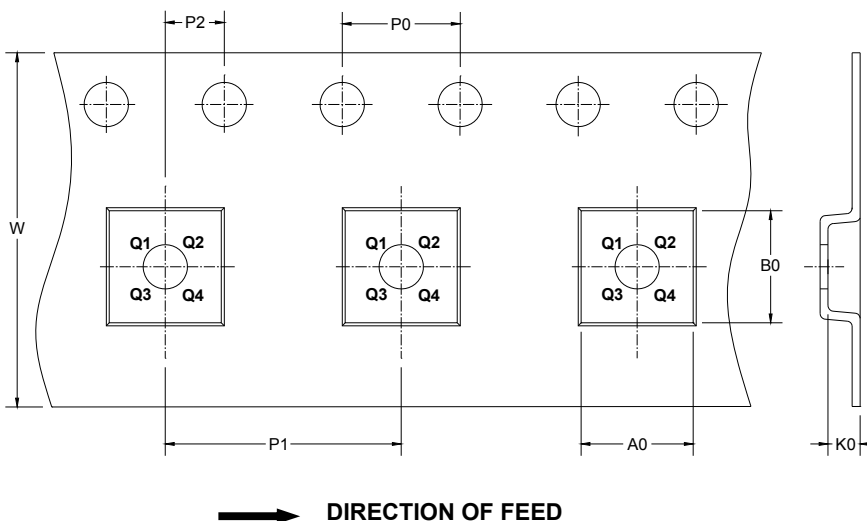
Symbol	Dimensions In Millimeters		Dimensions In Inches	
	MIN	MAX	MIN	MAX
A	0.820	1.100	0.032	0.043
A1	0.020	0.150	0.001	0.006
A2	0.750	0.950	0.030	0.037
b	0.180	0.280	0.007	0.011
c	0.090	0.230	0.004	0.009
D	2.900	3.100	0.114	0.122
E	2.900	3.100	0.114	0.122
E1	4.750	5.050	0.187	0.199
e	0.500 BSC		0.020 BSC	
L	0.400	0.800	0.016	0.031
θ	0°	6°	0°	6°

TAPE AND REEL INFORMATION

REEL DIMENSIONS



TAPE DIMENSIONS



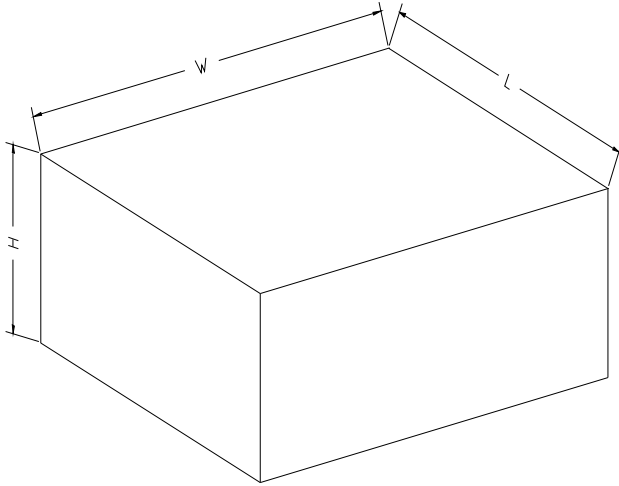
NOTE: The picture is only for reference. Please make the object as the standard.

KEY PARAMETER LIST OF TAPE AND REEL

Package Type	Reel Diameter	Reel Width W1 (mm)	A0 (mm)	B0 (mm)	K0 (mm)	P0 (mm)	P1 (mm)	P2 (mm)	W (mm)	Pin1 Quadrant
MSOP-10	13"	12.4	5.2	3.3	1.2	4.0	8.0	2.0	12.0	Q1
SC70-6	7"	9.5	2.4	2.5	1.2	4.0	4.0	2.0	8.0	Q3

SGM3001/2

CARTON BOX DIMENSIONS



NOTE: The picture is only for reference. Please make the object as the standard.

KEY PARAMETER LIST OF CARTON BOX

Reel Type	Length (mm)	Width (mm)	Height (mm)	Pizza/Carton
7" (Option)	368	227	224	8
7"	442	410	224	18
13"	386	280	370	5

X-ON Electronics

Largest Supplier of Electrical and Electronic Components

Click to view similar products for [Analogue Switch ICs category](#):

Click to view products by [SGMICRO manufacturer](#):

Other Similar products are found below :

[FSA3051TMX](#) [NLAS4684FCTCG](#) [NLAS5223BLMNR2G](#) [NLVAS4599DTT1G](#) [NLX2G66DMUTCG](#) [425541DB](#) [425528R](#) [099044FB](#)
[MAX4762ETB+](#) [NLAS5123MNR2G](#) [NLAS5213AMUTAG](#) [NLAS5213AUSG](#) [PI5A4157CEX](#) [PI5A4599BCEX](#) [NLAS4717EPFCT1G](#)
[PI5A3167CCEX](#) [SLAS3158MNR2G](#) [PI5A392AQEX](#) [PI5A392AQE](#) [FSA634UCX](#) [ADG714BCPZ-REEL7](#) [HT4051ARZ](#) [TC4066BP\(N,F\)](#)
[TMUX136RSER](#) [DG302BDJ-E3](#) [ADG854BCPZ-REEL7](#) [PI5A100WE](#) [PI5A100QEX](#) [HV2733FG-G](#) [HV2701FG-G](#) [HV2301FG-G](#)
[HV2301FG-G-M931](#) [RS2117YUTQK10](#) [RS2118YUTQK10](#) [RS2227XUTQK10](#) [ADG452BRZ-REEL7](#) [MAX4715EXK+T](#) [MAX391CPE+](#)
[MAX4744ELB+](#) [MAX4730EXT+T](#) [MAX4730ELT+](#) [MAX333AEWP+](#) [BU4066BC](#) [MAX313CPE+](#) [BU4S66G2-TR](#) [NLAS52231MUR2G](#)
[NLASB3157MTR2G](#) [TS3A4751PWR](#) [NX3L4684TK,115](#) [NX5L2750CGUX](#)