



# SGM8631/2/3 6MHz, Rail-to-Rail I/O CMOS Operational Amplifiers

## PRODUCT DESCRIPTION

The SGM8631 (single), SGM8632 (dual) and SGM8633 (single with shutdown) are low noise, low voltage, and low power operational amplifiers that can be designed into a wide range of applications. The SGM8631/2/3 have a high gain-bandwidth product of 6MHz and a slew rate of 3.7V/ $\mu$ s. The SGM8633 has a power-down disable feature that reduces the supply current to less than 1 $\mu$ A.

The SGM8631/2/3 are designed to provide optimal performance in low voltage and low noise systems. They provide rail-to-rail output swing into heavy loads. The input common mode voltage range includes ground, and the maximum input offset voltage is 3.5mV for SGM8631/2/3. They are specified over the extended industrial temperature range (-40°C to +125°C). The operating supply range is from 2V to 5.5V.

The SGM8631 single is available in Green SC70-5, SOT-23-5 and SOIC-8 packages. The SGM8632 dual is available in Green SOIC-8 and MSOP-8 packages. The SGM8633 single with shutdown is available in Green SOT-23-6 and SOIC-8 packages.

## FEATURES

- **Rail-to-Rail Input and Output**  
3.5mV Maximum  $V_{OS}$
- **High Gain-Bandwidth Product: 6MHz**
- **High Slew Rate: 3.7V/ $\mu$ s**
- **Settling Time to 0.1% with 2V Step: 0.5 $\mu$ s**
- **Overload Recovery Time: 0.9 $\mu$ s**
- **Low Noise: 13nV/ $\sqrt{\text{Hz}}$  at 1kHz**
- **Supply Voltage Range: 2V to 5.5V**
- **Input Voltage Range: -0.1V to +5.6V with  $V_S = 5.5V$**
- **Low Supply Current**  
SGM8631/3: 570 $\mu$ A (TYP)  
SGM8632: 480 $\mu$ A/Amplifier (TYP)  
Less than 1 $\mu$ A Shutdown Current for SGM8633
- **Small Packaging**  
SGM8631 Available in Green SC70-5, SOT-23-5 and SOIC-8  
SGM8632 Available in Green MSOP-8 and SOIC-8  
SGM8633 Available in Green SOT-23-6 and SOIC-8

## APPLICATIONS

Sensors  
Audio  
Active Filters  
A/D Converters  
Communications  
Test Equipment  
Cellular and Cordless Phones  
Laptops and PDAs  
Photodiode Amplification  
Battery-Powered Instrumentation

**PACKAGE/ORDERING INFORMATION**

| MODEL   | PACKAGE DESCRIPTION | SPECIFIED TEMPERATURE RANGE | ORDERING NUMBER | PACKAGE MARKING         | PACKING OPTION      |
|---------|---------------------|-----------------------------|-----------------|-------------------------|---------------------|
| SGM8631 | SC70-5              | -40°C to +125°C             | SGM8631XC5/TR   | 8631                    | Tape and Reel, 3000 |
|         | SOT-23-5            | -40°C to +125°C             | SGM8631XN5/TR   | 8631                    | Tape and Reel, 3000 |
|         | SOIC-8              | -40°C to +125°C             | SGM8631XS/TR    | SGM8631XS<br>XXXXX      | Tape and Reel, 2500 |
| SGM8632 | MSOP-8              | -40°C to +125°C             | SGM8632XMS/TR   | SGM8632<br>XMS<br>XXXXX | Tape and Reel, 3000 |
|         | SOIC-8              | -40°C to +125°C             | SGM8632XS/TR    | SGM8632XS<br>XXXXX      | Tape and Reel, 2500 |
| SGM8633 | SOT-23-6            | -40°C to +125°C             | SGM8633XN6/TR   | 8633                    | Tape and Reel, 3000 |
|         | SOIC-8              | -40°C to +125°C             | SGM8633XS/TR    | SGM8633XS<br>XXXXX      | Tape and Reel, 2500 |

NOTE: XXXXX = Date Code and Vendor Code.

Green (RoHS & HSF): SG Micro Corp defines "Green" to mean Pb-Free (RoHS compatible) and free of halogen substances. If you have additional comments or questions, please contact your SGMICRO representative directly.

**ABSOLUTE MAXIMUM RATINGS**

Supply Voltage, +V<sub>S</sub> to -V<sub>S</sub> .....6V  
 Input Common Mode Voltage Range  
 ..... (-V<sub>S</sub>) - 0.3V to (+V<sub>S</sub>) + 0.3V  
 Storage Temperature Range .....-65°C to +150°C  
 Junction Temperature .....+150°C  
 Package Thermal Resistance @ T<sub>A</sub> = 25°C  
 SC70-5, θ<sub>JA</sub> ..... 333°C/W  
 SOT-23-5, θ<sub>JA</sub> ..... 190°C/W  
 SOT-23-6, θ<sub>JA</sub> ..... 190°C/W  
 SOIC-8, θ<sub>JA</sub> ..... 125°C/W  
 MSOP-8, θ<sub>JA</sub> ..... 216°C/W  
 Lead Temperature (Soldering 10sec)  
 .....+260°C  
 ESD Susceptibility  
 HBM (SGM8631/2) ..... 8000V  
 HBM (SGM8633) ..... 4000V  
 MM ..... 400V  
 CDM ..... 1000V

**RECOMMENDED OPERATING CONDITIONS**

Operating Temperature Range .....-40°C to +125°C

**OVERSTRESS CAUTION**

Stresses beyond those listed may cause permanent damage to the device. Functional operation of the device at these or any other conditions beyond those indicated in the operational section of the specification is not implied. Exposure to absolute maximum rating conditions for extended periods may affect reliability.

**ESD SENSITIVITY CAUTION**

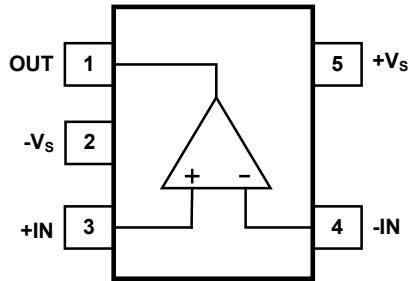
This integrated circuit can be damaged by ESD if you don't pay attention to ESD protection. SGMICRO recommends that all integrated circuits be handled with appropriate precautions. Failure to observe proper handling and installation procedures can cause damage. ESD damage can range from subtle performance degradation to complete device failure. Precision integrated circuits may be more susceptible to damage because very small parametric changes could cause the device not to meet its published specifications.

**DISCLAIMER**

SG Micro Corp reserves the right to make any change in circuit design, specification or other related things if necessary without notice at any time.

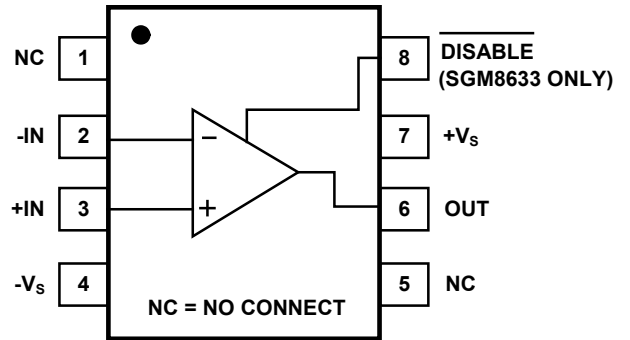
PIN CONFIGURATIONS

SGM8631 (TOP VIEW)



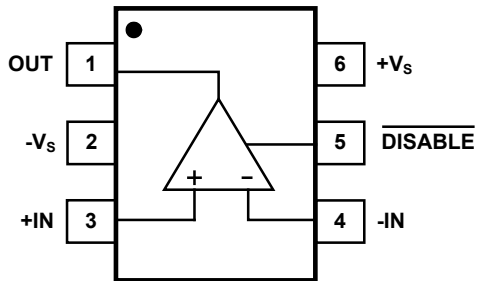
SC70-5/SOT-23-5

SGM8631/8633 (TOP VIEW)



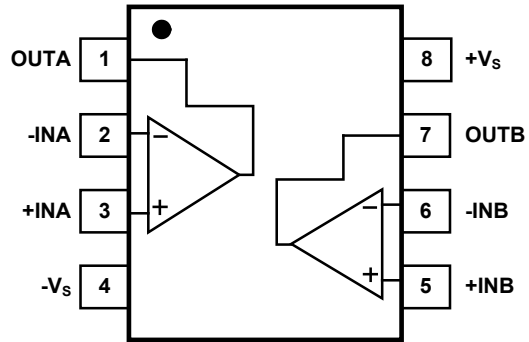
SOIC-8

SGM8633 (TOP VIEW)



SOT-23-6

SGM8632 (TOP VIEW)



SOIC-8/MSOP-8

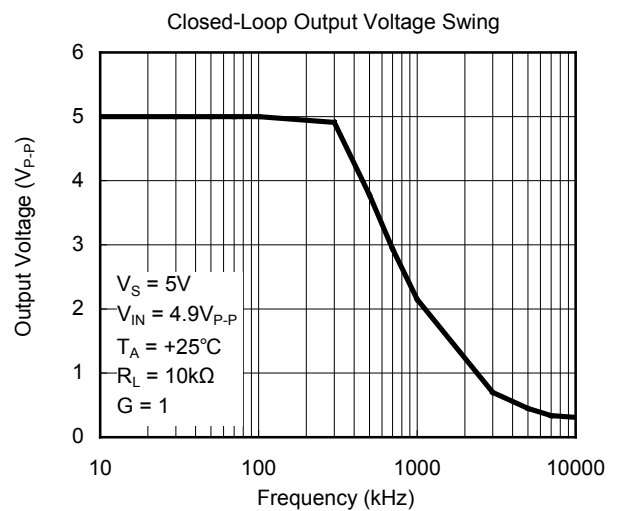
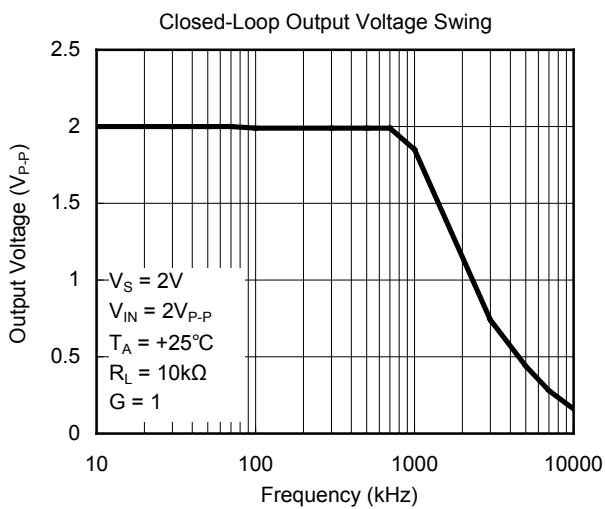
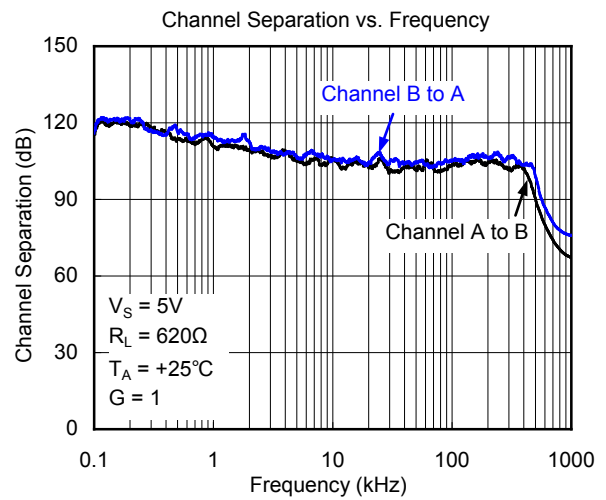
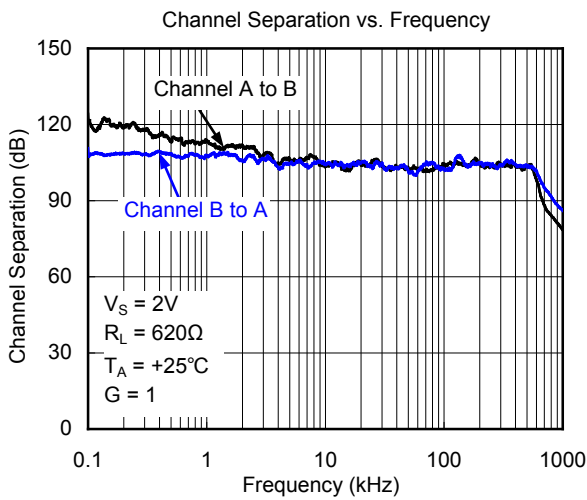
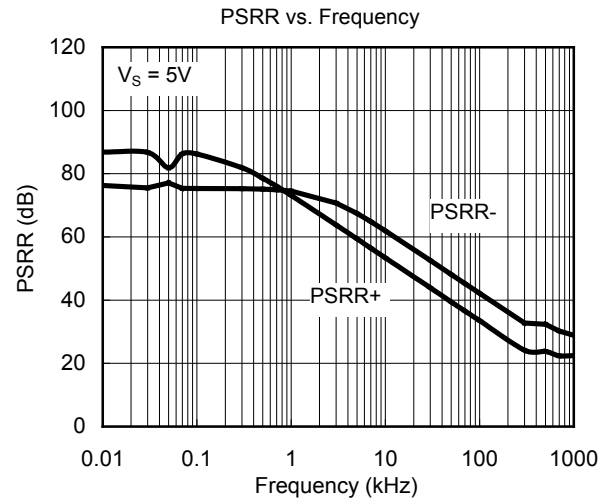
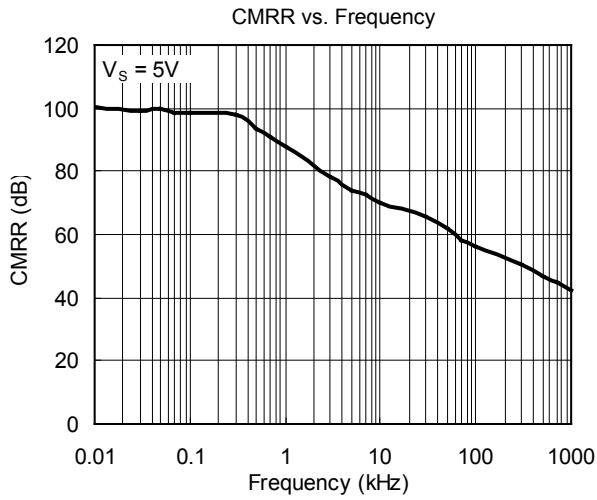
## ELECTRICAL CHARACTERISTICS

(At  $T_A = +25^\circ\text{C}$ ,  $V_S = +5\text{V}$ ,  $V_{CM} = V_S/2$ ,  $R_L = 600\Omega$ , unless otherwise noted.)

| PARAMETER   | CONDITIONS  | SGM8631/2/3   |                          |                   |                    |                              |               |             |
|---|---|---------------|--------------------------|-------------------|--------------------|------------------------------|---------------|-------------|
|   |   | TYP           | MIN/MAX OVER TEMPERATURE |                   |                    |                              | UNITS         | MIN/<br>MAX |
|   |   | +25°C         | +25°C                    | -40°C to<br>+85°C | -40°C to<br>+125°C |                              |               |             |
| <b>INPUT CHARACTERISTICS</b>                            |   |               |                          |                   |                    |                              |               |             |
| Input Offset Voltage ( $V_{OS}$ )                       |   | 0.9           | 3.5                      | 3.7               | 3.8                | mV                           | MAX           |             |
| Input Bias Current ( $I_B$ )                            |   | 1             |                          |                   |                    | pA                           | TYP           |             |
| Input Offset Current ( $I_{OS}$ )                       |   | 1             |                          |                   |                    | pA                           | TYP           |             |
| Input Common Mode Voltage Range ( $V_{CM}$ )            | $V_S = 5.5\text{V}$   | -0.1 to 5.6   |                          |                   |                    | V                            | TYP           |             |
| Common Mode Rejection Ratio (CMRR)                      | $V_S = 5.5\text{V}$ , $V_{CM} = -0.1\text{V}$ to $4\text{V}$            | 84            | 68                       | 67                | 66                 | dB                           | MIN           |             |
|   | $V_S = 5.5\text{V}$ , $V_{CM} = -0.1\text{V}$ to $5.6\text{V}$          | 76            |                          |                   |                    | dB                           | MIN           |             |
| Open-Loop Voltage Gain ( $A_{OL}$ )                     | $R_L = 600\Omega$ , $V_O = 0.15\text{V}$ to $4.85\text{V}$              | 86            | 79                       | 73                | 69                 | dB                           | MIN           |             |
|   | $R_L = 10\text{k}\Omega$ , $V_O = 0.05\text{V}$ to $4.95\text{V}$       | 103           |                          |                   |                    | dB                           | MIN           |             |
| Input Offset Voltage Drift ( $\Delta V_{OS}/\Delta T$ ) |   | 2.4           |                          |                   |                    | $\mu\text{V}/^\circ\text{C}$ | TYP           |             |
| <b>OUTPUT CHARACTERISTICS</b>                           |   |               |                          |                   |                    |                              |               |             |
| Output Voltage Swing from Rail                          | $R_L = 600\Omega$   | 0.079         |                          |                   |                    | V                            | TYP           |             |
|   | $R_L = 10\text{k}\Omega$  | 0.007         |                          |                   |                    | V                            | TYP           |             |
| Output Current ( $I_{OUT}$ )                            |   | 58            | 40                       | 30                | 26                 | mA                           | MIN           |             |
| Closed-Loop Output Impedance                            | $f = 200\text{kHz}$ , $G = 1$   | 5.4           |                          |                   |                    | $\Omega$                     | TYP           |             |
| <b>POWER-DOWN DISABLE (SGM8633 ONLY)</b>                |   |               |                          |                   |                    |                              |               |             |
| Turn-On Time  |   | 1.3           |                          |                   |                    | $\mu\text{s}$                | TYP           |             |
| Turn-Off Time   |   | 0.4           |                          |                   |                    | $\mu\text{s}$                | TYP           |             |
| $\overline{\text{DISABLE}}$ Voltage-Off                 |   |               | 0.8                      |                   |                    | V                            | MAX           |             |
| $\overline{\text{DISABLE}}$ Voltage-On                  |   |               | 2                        |                   |                    | V                            | MIN           |             |
| <b>POWER SUPPLY</b>                                     |   |               |                          |                   |                    |                              |               |             |
| Operating Voltage Range                                 |   | 2             | 2                        | 2                 | 2                  | V                            | MIN           |             |
|   |   | 5.5           | 5.5                      | 5.5               | 5.5                | V                            | MAX           |             |
| Power Supply Rejection Ratio (PSRR)                     | $V_S = 2\text{V}$ to $5.5\text{V}$ ,<br>$V_{CM} = (-V_S) + 0.5\text{V}$ | 84            | 69                       | 68                | 67                 | dB                           | MIN           |             |
| Quiescent Current/<br>Amplifier ( $I_Q$ )               | SGM8632   | $I_{OUT} = 0$ | 480                      | 620               | 720                | 790                          | $\mu\text{A}$ | MAX         |
|   | SGM8631/3   | $I_{OUT} = 0$ | 570                      | 720               | 820                | 880                          | $\mu\text{A}$ | MAX         |
| Supply Current when Disabled (SGM8633 only)             |   | 0.5           | 8                        | 9                 | 10                 | $\mu\text{A}$                | MAX           |             |
| <b>DYNAMIC PERFORMANCE</b>                              |   |               |                          |                   |                    |                              |               |             |
| Gain-Bandwidth Product (GBP)                            |   | 6             |                          |                   |                    | MHz                          | TYP           |             |
| Phase Margin ( $\phi_O$ )                               |   | 63            |                          |                   |                    | $^\circ$                     | TYP           |             |
| Full Power Bandwidth ( $BW_P$ )                         | <1% distortion  | 250           |                          |                   |                    | kHz                          | TYP           |             |
| Slew Rate (SR)  | $G=1$ , 2V output step  | 3.7           |                          |                   |                    | $\text{V}/\mu\text{s}$       | TYP           |             |
| Settling Time to 0.1% ( $t_S$ )                         | $G=1$ , 2V output step  | 0.5           |                          |                   |                    | $\mu\text{s}$                | TYP           |             |
| Overload Recovery Time                                  | $V_{IN} \times \text{Gain} = V_S$                                       | 0.9           |                          |                   |                    | $\mu\text{s}$                | TYP           |             |
| <b>NOISE PERFORMANCE</b>                                |   |               |                          |                   |                    |                              |               |             |
| Voltage Noise Density ( $e_n$ )                         | $f = 1\text{kHz}$   | 13            |                          |                   |                    | $\text{nV}/\sqrt{\text{Hz}}$ | TYP           |             |

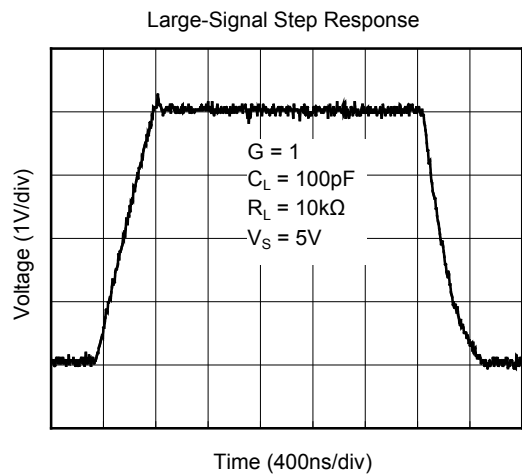
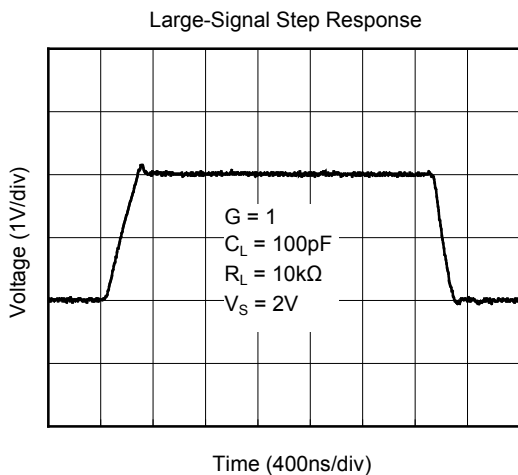
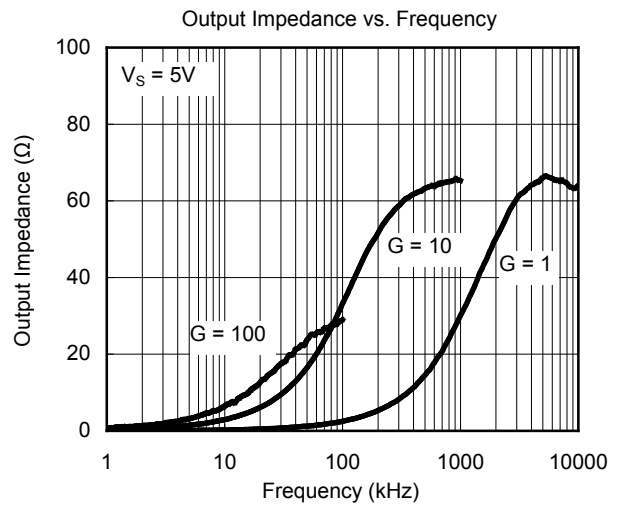
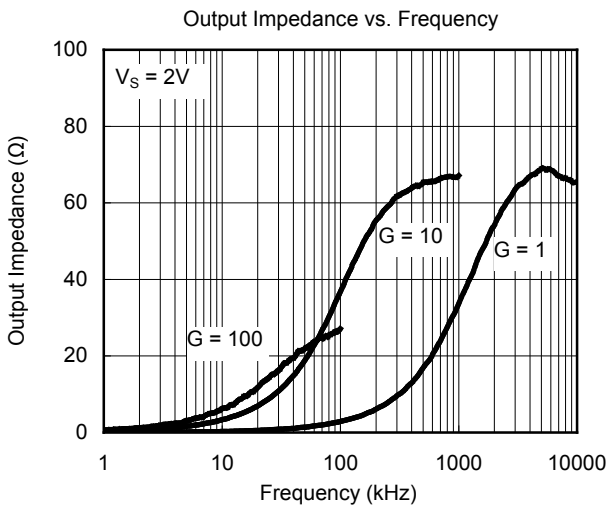
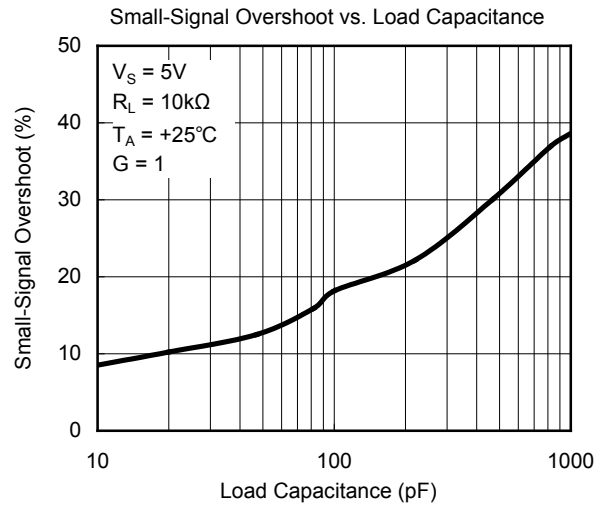
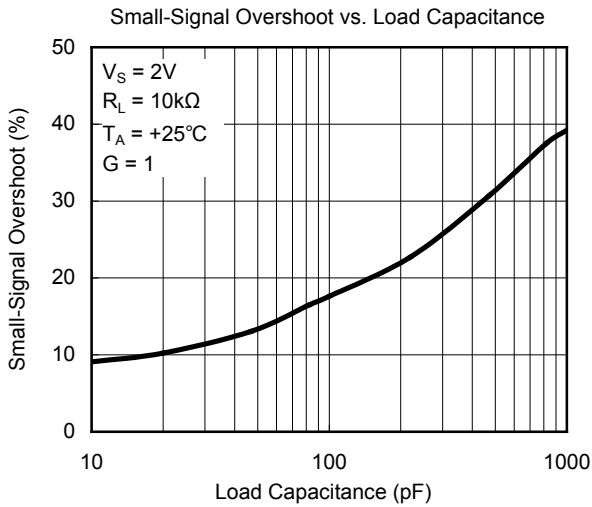
TYPICAL PERFORMANCE CHARACTERISTICS

At  $T_A = +25^\circ\text{C}$ ,  $V_{CM} = V_S/2$ ,  $R_L = 600\Omega$ , unless otherwise noted.



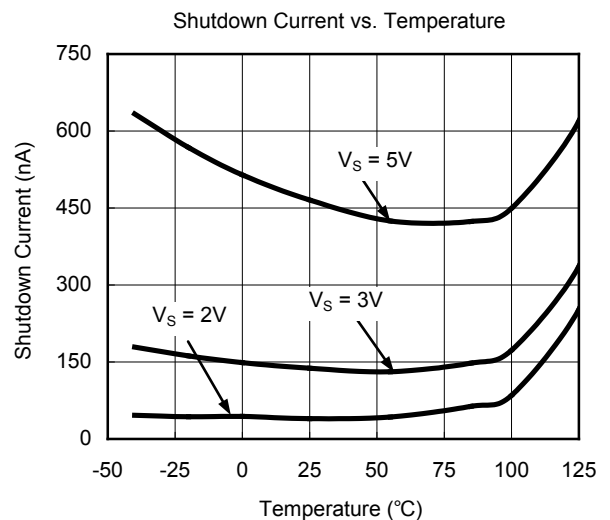
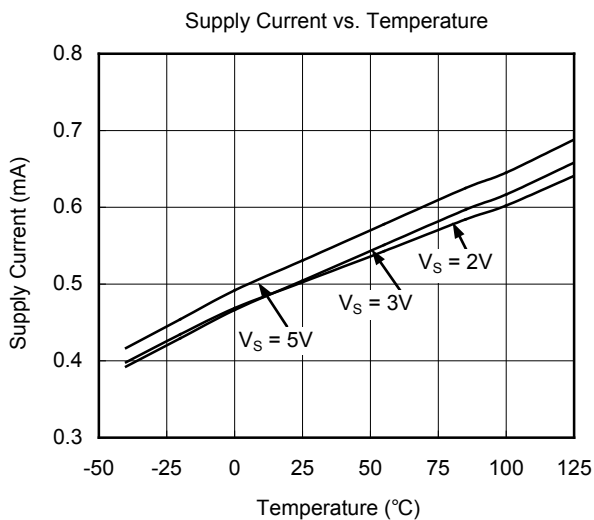
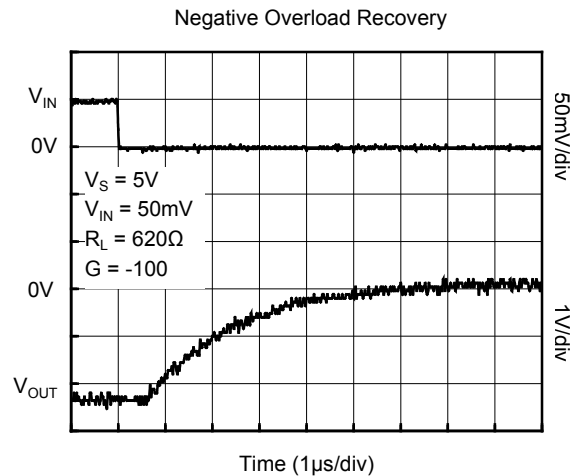
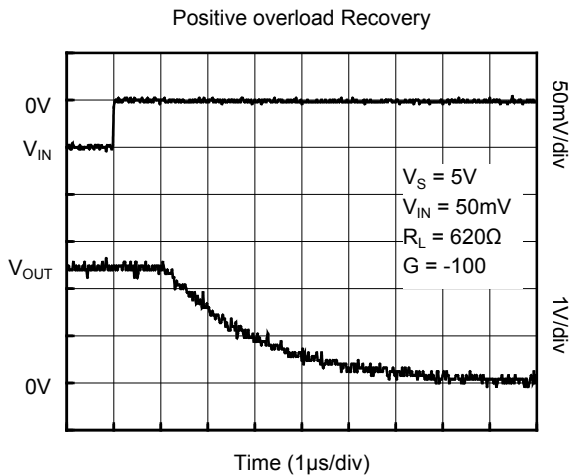
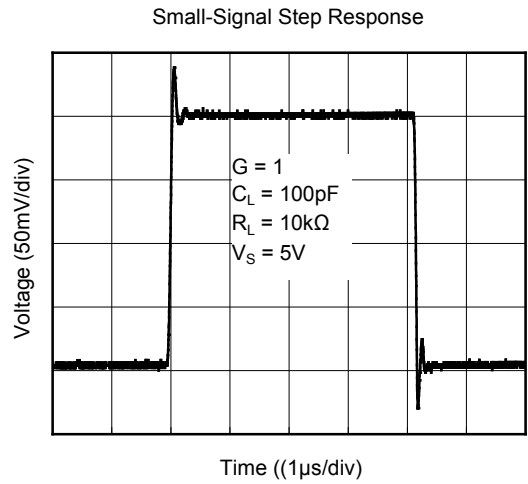
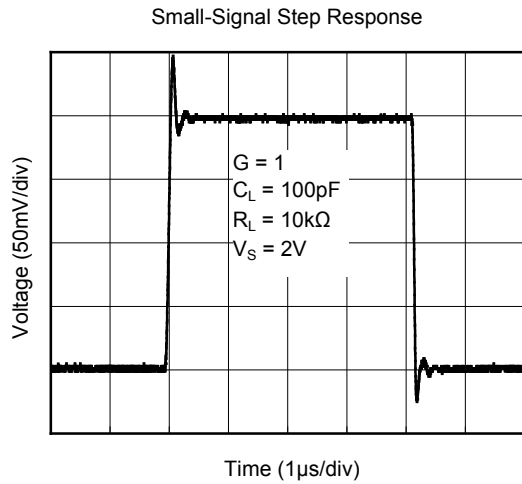
TYPICAL PERFORMANCE CHARACTERISTICS

At  $T_A = +25^\circ\text{C}$ ,  $V_{CM} = V_S/2$ ,  $R_L = 600\Omega$ , unless otherwise noted.



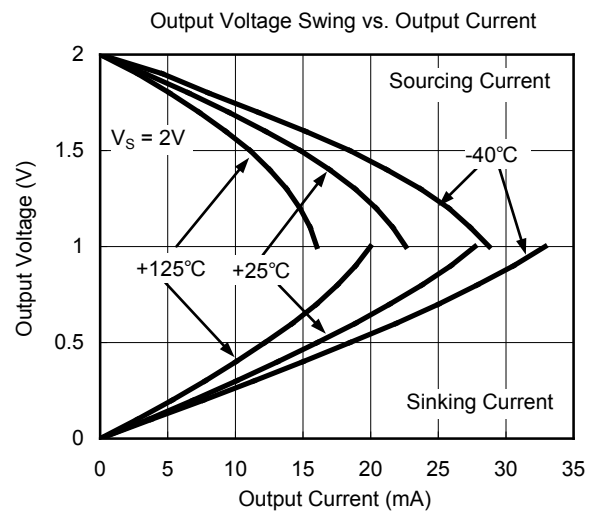
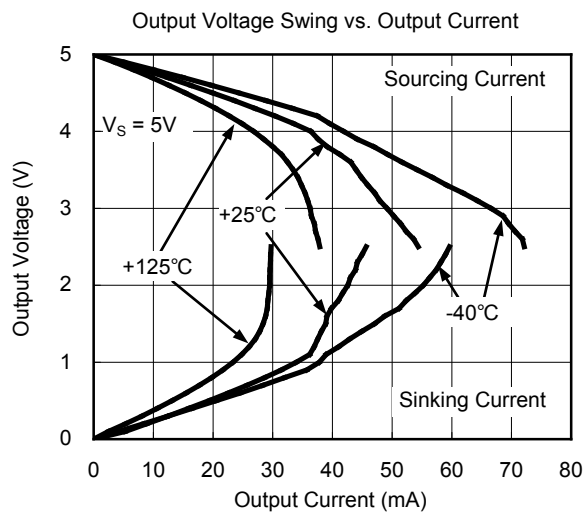
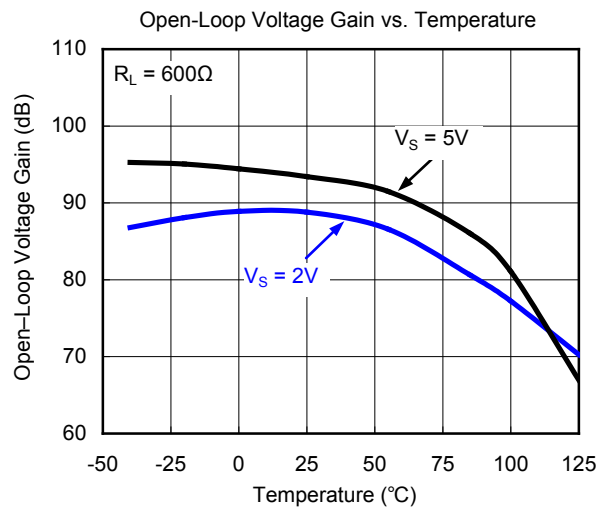
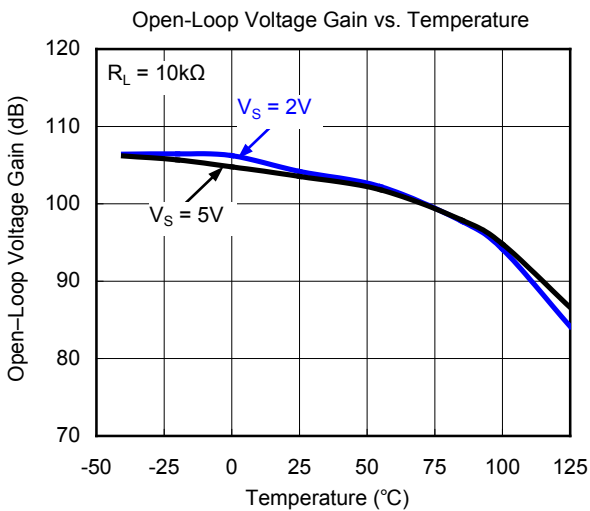
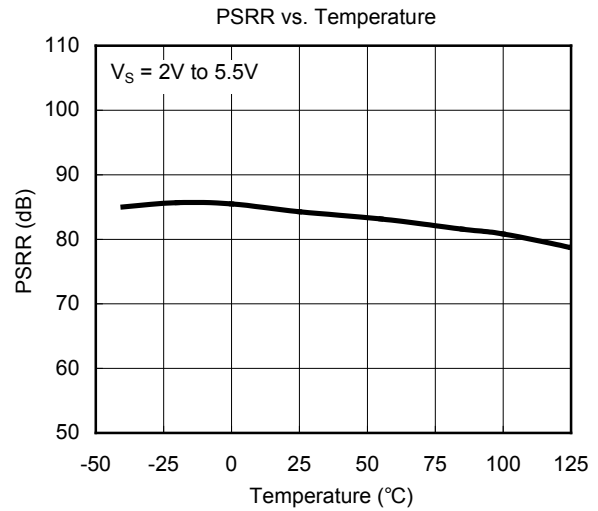
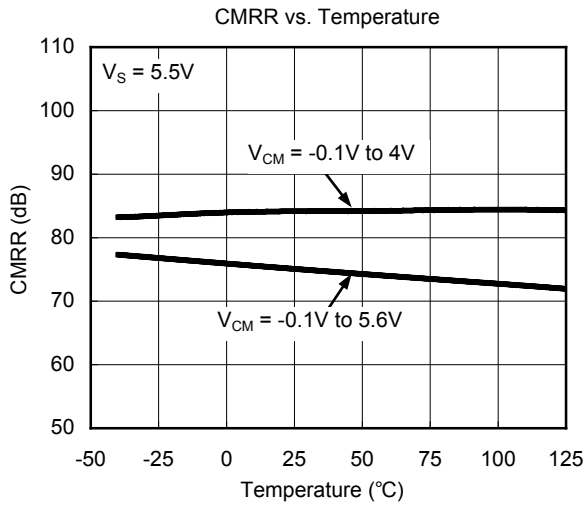
TYPICAL PERFORMANCE CHARACTERISTICS

At  $T_A = +25^\circ\text{C}$ ,  $V_{CM} = V_S/2$ ,  $R_L = 600\Omega$ , unless otherwise noted.



TYPICAL PERFORMANCE CHARACTERISTICS

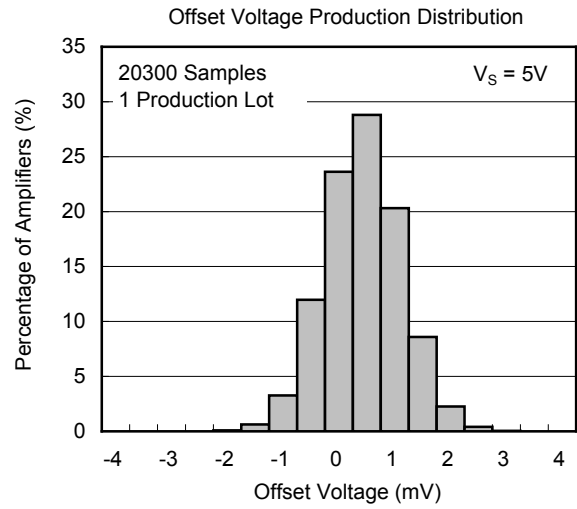
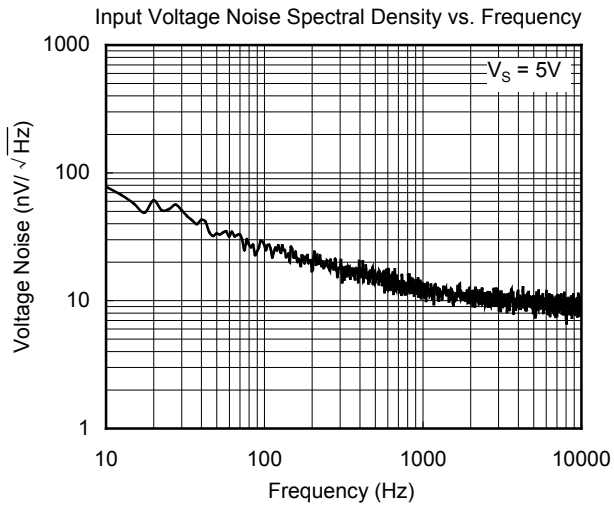
At  $T_A = +25^\circ\text{C}$ ,  $V_{CM} = V_S/2$ ,  $R_L = 600\Omega$ , unless otherwise noted.





**TYPICAL PERFORMANCE CHARACTERISTICS**

At  $T_A = +25^\circ\text{C}$ ,  $V_{CM} = V_S/2$ ,  $R_L = 600\Omega$ , unless otherwise noted.



## APPLICATION NOTES

## Driving Capacitive Loads

The SGM8631/2/3 can directly drive 1000pF in unity-gain without oscillation. The unity-gain follower (buffer) is the most sensitive configuration to capacitive loading. Direct capacitive loading reduces the phase margin of amplifiers and this results in ringing or even oscillation. Applications that require greater capacitive driving capability should use an isolation resistor between the output and the capacitive load like the circuit in Figure 1. The isolation resistor  $R_{ISO}$  and the load capacitor  $C_L$  form a zero to increase stability. The bigger the  $R_{ISO}$  resistor value, the more stable  $V_{OUT}$  will be. Note that this method results in a loss of gain accuracy because  $R_{ISO}$  forms a voltage divider with the  $R_{LOAD}$ .

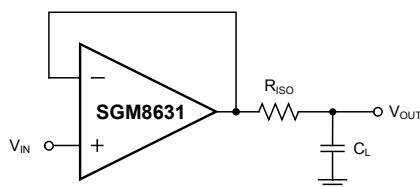


Figure 1. Indirectly Driving Heavy Capacitive Load

An improved circuit is shown in Figure 2. It provides DC accuracy as well as AC stability.  $R_F$  provides the DC accuracy by connecting the inverting input with the output.  $C_F$  and  $R_{ISO}$  serve to counteract the loss of phase margin by feeding the high frequency component of the output signal back to the amplifier's inverting input, thereby preserving phase margin in the overall feedback loop.

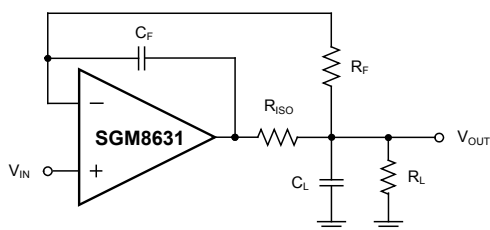


Figure 2. Indirectly Driving Heavy Capacitive Load with DC Accuracy

For non-buffer configuration, there are two other ways to increase the phase margin: (a) by increasing the amplifier's closed-loop gain or (b) by placing a capacitor in parallel with the feedback resistor to counteract the parasitic capacitance associated with inverting node.

## Power-Supply Bypassing and Layout

The SGM8631/2/3 family operates from either a single +2V to +5.5V supply or dual  $\pm 1V$  to  $\pm 2.75V$  supplies. For single-supply operation, bypass the power supply + $V_S$  with a 0.1 $\mu F$  ceramic capacitor which should be placed close to the + $V_S$  pin. For dual-supply operation, both the + $V_S$  and the - $V_S$  supplies should be bypassed to ground with separate 0.1 $\mu F$  ceramic capacitors. 2.2 $\mu F$  tantalum capacitor can be added for better performance.

Good PC board layout techniques optimize performance by decreasing the amount of stray capacitance at the op amp's inputs and output. To decrease stray capacitance, minimize trace lengths and widths by placing external components as close to the device as possible. Use surface-mount components whenever possible.

For the operational amplifier, soldering the part to the board directly is strongly recommended. Try to keep the high frequency current loop area small to minimize the EMI (electromagnetic interfacing).

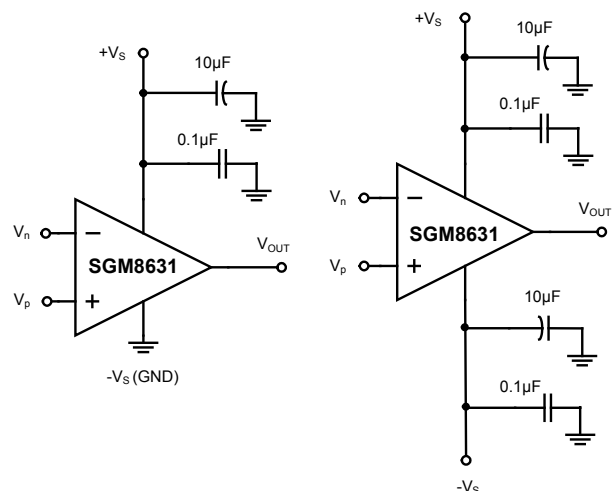


Figure 3. Amplifier with Bypass Capacitors

## Grounding

A ground plane layer is important for SGM8631/2/3 circuit design. The length of the current path in an inductive ground return will create an unwanted voltage noise. Broad ground plane areas will reduce the parasitic inductance.

## Input-to-Output Coupling

To minimize capacitive coupling, the input and output signal traces should not be in parallel. This helps reduce unwanted positive feedback.

TYPICAL APPLICATION CIRCUITS

Differential Amplifier

The circuit shown in Figure 4 performs the difference function. If the resistor ratios are equal ( $R_4/R_3 = R_2/R_1$ ), then  $V_{OUT} = (V_p - V_n) \times R_2/R_1 + V_{REF}$ .

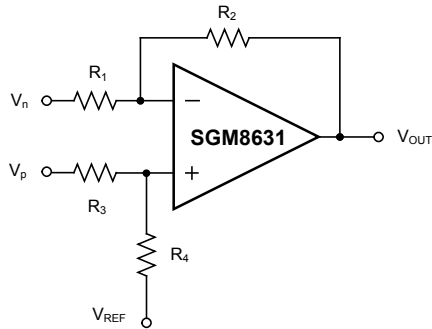


Figure 4. Differential Amplifier

Instrumentation Amplifier

The circuit in Figure 5 performs the same function as that in Figure 4 but with a high input impedance.

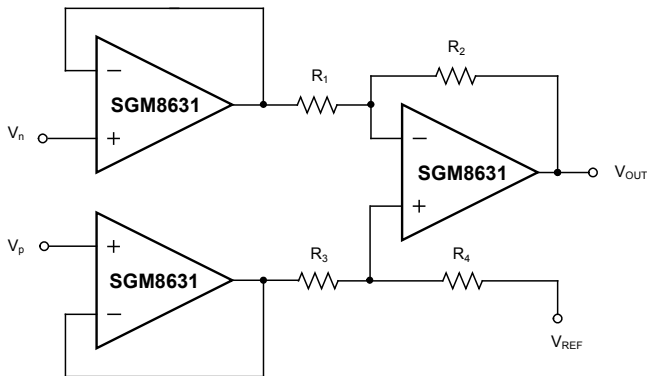


Figure 5. Instrumentation Amplifier

Low-Pass Active Filter

The low-pass filter shown in Figure 6 has a DC gain of  $(-R_2/R_1)$  and the  $-3\text{dB}$  corner frequency is  $1/2\pi R_2 C$ . Make sure the filter bandwidth is within the bandwidth of the amplifier. The large values of feedback resistors can couple with parasitic capacitance and cause undesired effects such as ringing or oscillation in high-speed amplifiers. Keep resistor values as low as possible and consistent with output loading consideration.

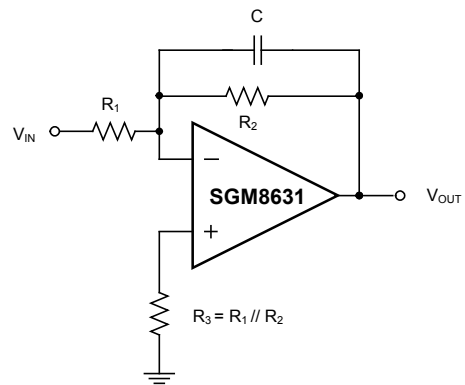
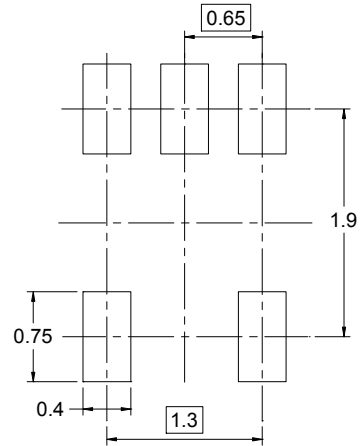
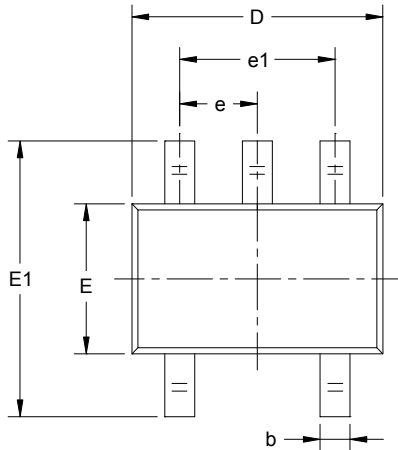


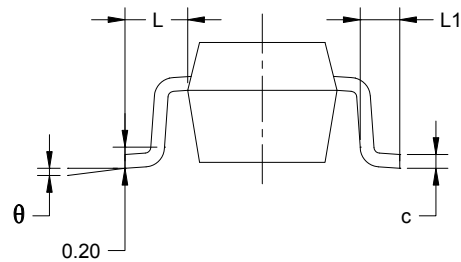
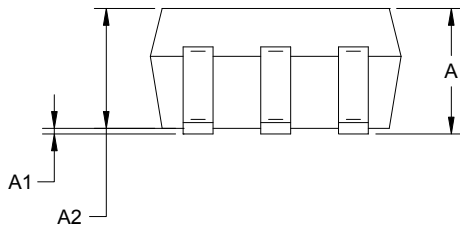
Figure 6. Low-Pass Active Filter

PACKAGE OUTLINE DIMENSIONS

SC70-5



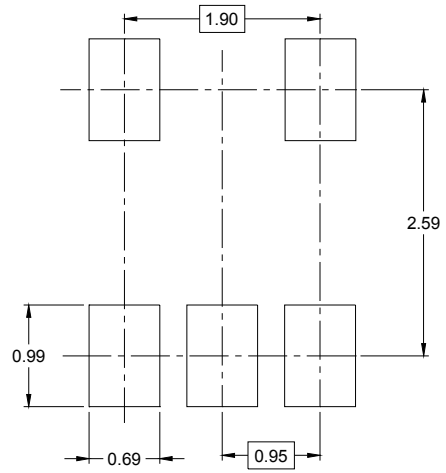
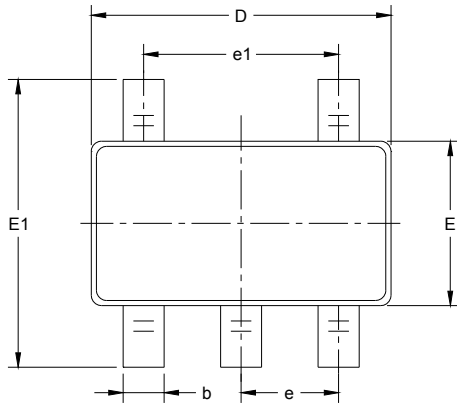
RECOMMENDED LAND PATTERN (Unit: mm)



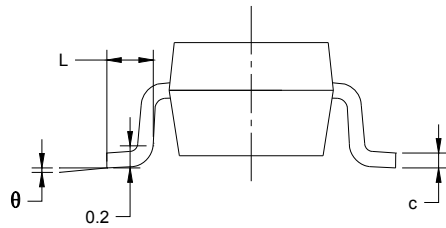
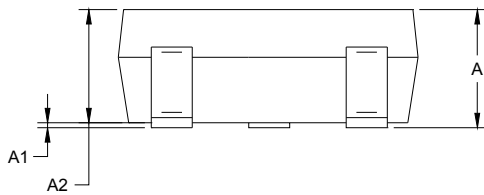
| Symbol   | Dimensions<br>In Millimeters |       | Dimensions<br>In Inches |       |
|----------|------------------------------|-------|-------------------------|-------|
|          | MIN                          | MAX   | MIN                     | MAX   |
| A        | 0.900                        | 1.100 | 0.035                   | 0.043 |
| A1       | 0.000                        | 0.100 | 0.000                   | 0.004 |
| A2       | 0.900                        | 1.000 | 0.035                   | 0.039 |
| b        | 0.150                        | 0.350 | 0.006                   | 0.014 |
| c        | 0.080                        | 0.150 | 0.003                   | 0.006 |
| D        | 2.000                        | 2.200 | 0.079                   | 0.087 |
| E        | 1.150                        | 1.350 | 0.045                   | 0.053 |
| E1       | 2.150                        | 2.450 | 0.085                   | 0.096 |
| e        | 0.65 TYP                     |       | 0.026 TYP               |       |
| e1       | 1.300 BSC                    |       | 0.051 BSC               |       |
| L        | 0.525 REF                    |       | 0.021 REF               |       |
| L1       | 0.260                        | 0.460 | 0.010                   | 0.018 |
| $\theta$ | 0°                           | 8°    | 0°                      | 8°    |

PACKAGE OUTLINE DIMENSIONS

SOT-23-5



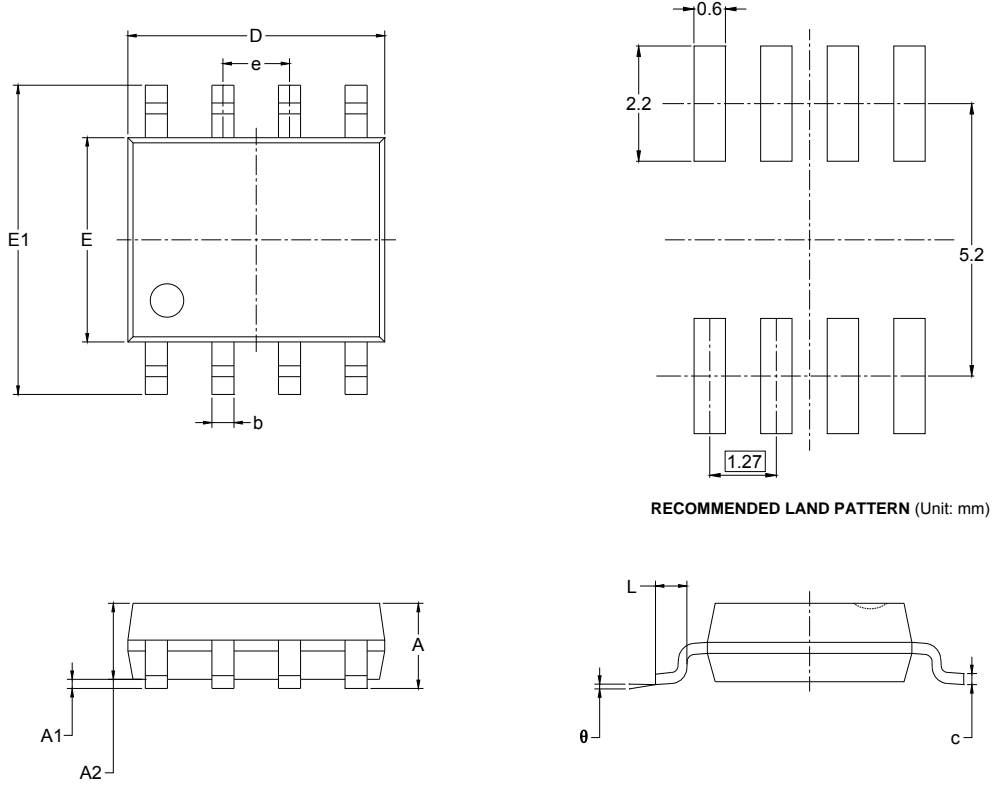
RECOMMENDED LAND PATTERN (Unit: mm)



| Symbol | Dimensions<br>In Millimeters |       | Dimensions<br>In Inches |       |
|--------|------------------------------|-------|-------------------------|-------|
|        | MIN                          | MAX   | MIN                     | MAX   |
| A      | 1.050                        | 1.250 | 0.041                   | 0.049 |
| A1     | 0.000                        | 0.100 | 0.000                   | 0.004 |
| A2     | 1.050                        | 1.150 | 0.041                   | 0.045 |
| b      | 0.300                        | 0.500 | 0.012                   | 0.020 |
| c      | 0.100                        | 0.200 | 0.004                   | 0.008 |
| D      | 2.820                        | 3.020 | 0.111                   | 0.119 |
| E      | 1.500                        | 1.700 | 0.059                   | 0.067 |
| E1     | 2.650                        | 2.950 | 0.104                   | 0.116 |
| e      | 0.950 BSC                    |       | 0.037 BSC               |       |
| e1     | 1.900 BSC                    |       | 0.075 BSC               |       |
| L      | 0.300                        | 0.600 | 0.012                   | 0.024 |
| θ      | 0°                           | 8°    | 0°                      | 8°    |

PACKAGE OUTLINE DIMENSIONS

SOIC-8

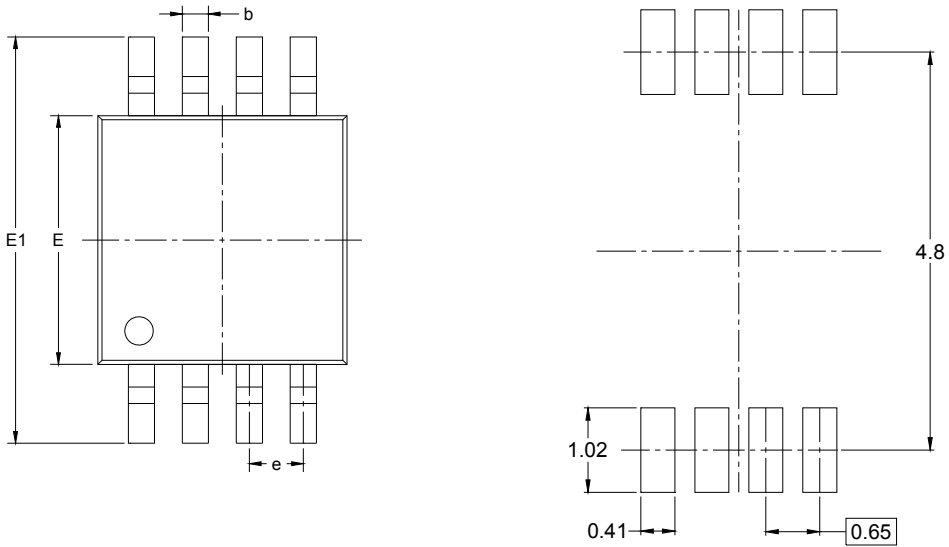


RECOMMENDED LAND PATTERN (Unit: mm)

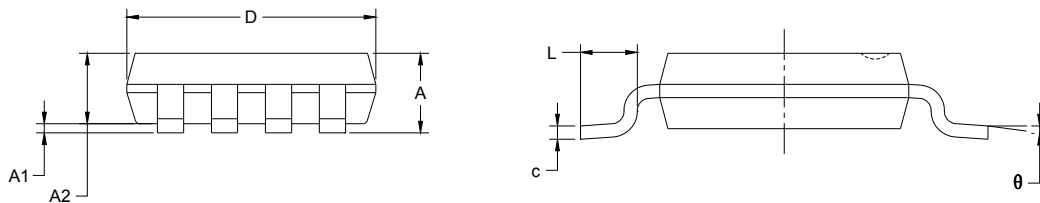
| Symbol   | Dimensions<br>In Millimeters |       | Dimensions<br>In Inches |       |
|----------|------------------------------|-------|-------------------------|-------|
|          | MIN                          | MAX   | MIN                     | MAX   |
| A        | 1.350                        | 1.750 | 0.053                   | 0.069 |
| A1       | 0.100                        | 0.250 | 0.004                   | 0.010 |
| A2       | 1.350                        | 1.550 | 0.053                   | 0.061 |
| b        | 0.330                        | 0.510 | 0.013                   | 0.020 |
| c        | 0.170                        | 0.250 | 0.006                   | 0.010 |
| D        | 4.700                        | 5.100 | 0.185                   | 0.200 |
| E        | 3.800                        | 4.000 | 0.150                   | 0.157 |
| E1       | 5.800                        | 6.200 | 0.228                   | 0.244 |
| e        | 1.27 BSC                     |       | 0.050 BSC               |       |
| L        | 0.400                        | 1.270 | 0.016                   | 0.050 |
| $\theta$ | 0°                           | 8°    | 0°                      | 8°    |

PACKAGE OUTLINE DIMENSIONS

MSOP-8



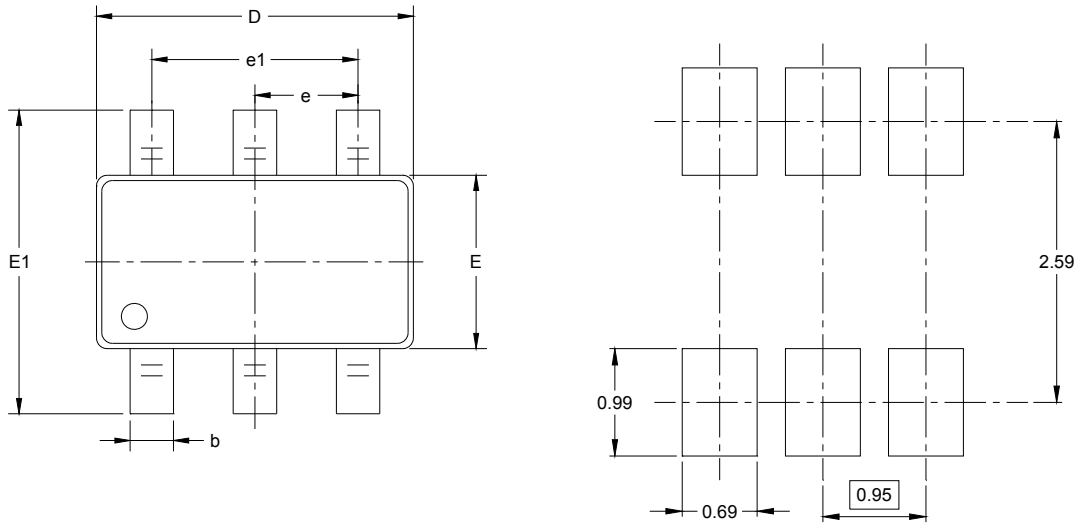
RECOMMENDED LAND PATTERN (Unit: mm)



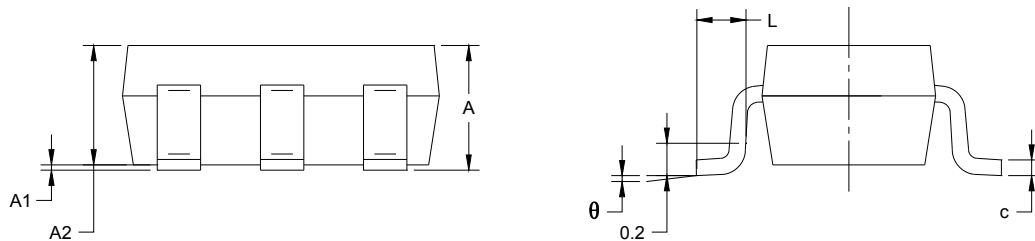
| Symbol | Dimensions<br>In Millimeters |       | Dimensions<br>In Inches |       |
|--------|------------------------------|-------|-------------------------|-------|
|        | MIN                          | MAX   | MIN                     | MAX   |
| A      | 0.820                        | 1.100 | 0.032                   | 0.043 |
| A1     | 0.020                        | 0.150 | 0.001                   | 0.006 |
| A2     | 0.750                        | 0.950 | 0.030                   | 0.037 |
| b      | 0.250                        | 0.380 | 0.010                   | 0.015 |
| c      | 0.090                        | 0.230 | 0.004                   | 0.009 |
| D      | 2.900                        | 3.100 | 0.114                   | 0.122 |
| E      | 2.900                        | 3.100 | 0.114                   | 0.122 |
| E1     | 4.750                        | 5.050 | 0.187                   | 0.199 |
| e      | 0.650 BSC                    |       | 0.026 BSC               |       |
| L      | 0.400                        | 0.800 | 0.016                   | 0.031 |
| θ      | 0°                           | 6°    | 0°                      | 6°    |

PACKAGE OUTLINE DIMENSIONS

SOT-23-6



RECOMMENDED LAND PATTERN (Unit: mm)

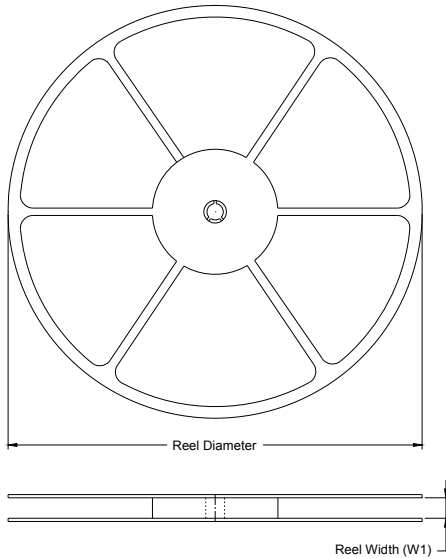


| Symbol | Dimensions<br>In Millimeters |       | Dimensions<br>In Inches |       |
|--------|------------------------------|-------|-------------------------|-------|
|        | MIN                          | MAX   | MIN                     | MAX   |
| A      | 1.050                        | 1.250 | 0.041                   | 0.049 |
| A1     | 0.000                        | 0.100 | 0.000                   | 0.004 |
| A2     | 1.050                        | 1.150 | 0.041                   | 0.045 |
| b      | 0.300                        | 0.500 | 0.012                   | 0.020 |
| c      | 0.100                        | 0.200 | 0.004                   | 0.008 |
| D      | 2.820                        | 3.020 | 0.111                   | 0.119 |
| E      | 1.500                        | 1.700 | 0.059                   | 0.067 |
| E1     | 2.650                        | 2.950 | 0.104                   | 0.116 |
| e      | 0.950 BSC                    |       | 0.037 BSC               |       |
| e1     | 1.900 BSC                    |       | 0.075 BSC               |       |
| L      | 0.300                        | 0.600 | 0.012                   | 0.024 |
| θ      | 0°                           | 8°    | 0°                      | 8°    |

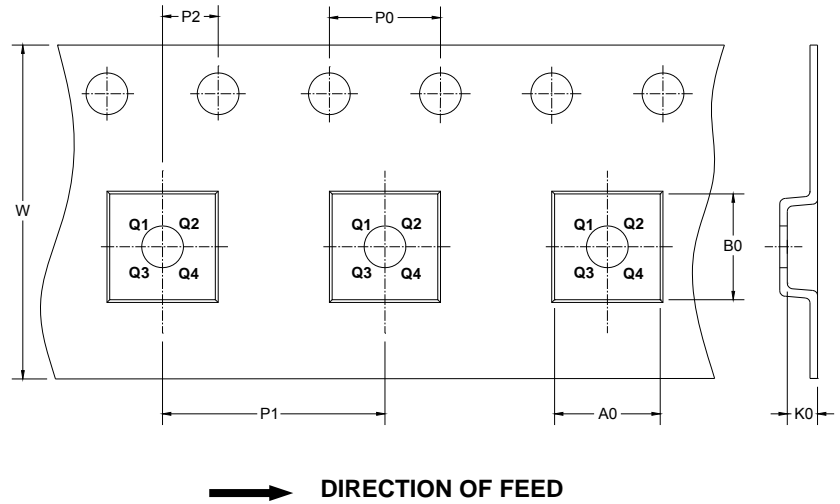


TAPE AND REEL INFORMATION

REEL DIMENSIONS



TAPE DIMENSIONS



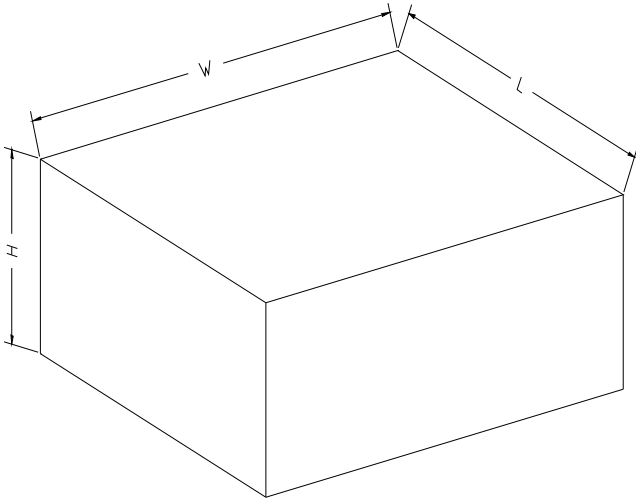
NOTE: The picture is only for reference. Please make the object as the standard.

KEY PARAMETER LIST OF TAPE AND REEL

| Package Type | Reel Diameter | Reel Width W1 (mm) | A0 (mm) | B0 (mm) | K0 (mm) | P0 (mm) | P1 (mm) | P2 (mm) | W (mm) | Pin1 Quadrant |
|--------------|---------------|--------------------|---------|---------|---------|---------|---------|---------|--------|---------------|
| SC70-5       | 7"            | 9.5                | 2.25    | 2.55    | 1.20    | 4.0     | 4.0     | 2.0     | 8.0    | Q3            |
| SOT-23-5     | 7"            | 9.5                | 3.2     | 3.2     | 1.4     | 4.0     | 4.0     | 2.0     | 8.0    | Q3            |
| SOT-23-6     | 7"            | 9.5                | 3.17    | 3.23    | 1.37    | 4.0     | 4.0     | 2.0     | 8.0    | Q3            |
| SOIC-8       | 13"           | 12.4               | 6.4     | 5.4     | 2.1     | 4.0     | 8.0     | 2.0     | 12.0   | Q1            |
| MSOP-8       | 13"           | 12.4               | 5.2     | 3.3     | 1.5     | 4.0     | 8.0     | 2.0     | 12.0   | Q1            |

000010

## CARTON BOX DIMENSIONS



NOTE: The picture is only for reference. Please make the object as the standard.

## KEY PARAMETER LIST OF CARTON BOX

| Reel Type   | Length (mm) | Width (mm) | Height (mm) | Pizza/Carton |
|-------------|-------------|------------|-------------|--------------|
| 7" (Option) | 368         | 227        | 224         | 8            |
| 7"          | 442         | 410        | 224         | 18           |
| 13"         | 386         | 280        | 370         | 5            |

DD0002

## X-ON Electronics

Largest Supplier of Electrical and Electronic Components

*Click to view similar products for [Operational Amplifiers - Op Amps](#) category:*

*Click to view products by [SGMICRO](#) manufacturer:*

Other Similar products are found below :

[LM358SNG](#) [430227FB](#) [AZV831KTR-G1](#) [LT1678IS8](#) [042225DB](#) [058184EB](#) [SC2902DG](#) [UPC822G2-A](#) [UPC258G2-A](#) [NCS5651MNTXG](#)  
[NCV33202DMR2G](#) [NJM324E](#) [NTE925](#) [5962-9080901MCA\\*](#) [AP4310AUMTR-AG1](#) [HA1630D02MMEL-E](#) [HA1630S01LPEL-E](#)  
[SCY33178DR2G](#) [NJU77806F3-TE1](#) [NCV5652MUTWG](#) [NCV20034DR2G](#) [LM2902EDR2G](#) [NTE778S](#) [NTE871](#) [NTE924](#) [NTE937](#)  
[MCP6V16UT-E/OT](#) [MCP6V17T-E/MS](#) [MCP6V19T-E/ST](#) [SCY6358ADR2G](#) [LTC2065IUD#PBF](#) [NCS20282FCTTAG](#) [UPC4741G2-E1-A](#)  
[LM4565FVT-GE2](#) [EL5420CRZ-T7A](#) [TSV791IYLT](#) [TSV772IQ2T](#) [AS324AMTR-E1](#) [TLV2772QPWR](#) [NJM4556AM-TE1](#) [NJM2068M-TE1](#)  
[AS324MTR-E1](#) [AS358MMTR-G1](#) [MCP6232T-EMNY](#) [MCP662-E/MF](#) [TLC081AIP](#) [TLC082AIP](#) [TLE2074ACDW](#) [TLV07IDR](#)  
[TLV2170IDGKT](#)