



胜丰电子有限公司

APPROVAL SHEET

Customer:

Customer P/N: **SF 5010SM24V**

Description: **DC FAN**

Model NO.: **SF 5010SM24V**

Version.: **A** Issue NO.: **SF190511**

Issue date: **2019-05-11** Quantity: **10PCS**

***Please sign back this specification for our record upon your approval.**

Thanks!

Company Stamp	CUSTOMER APPROVAL Stamp
制作：喻小隆	承认：
复核：蔡泽钦	核准：
核准：吴国旗	日期：

地址：深圳市龙岗区坂田街道雅南路南坑第二工业区

电话：0755-82716358 82579709 传真：22636467

免费咨询和订购热线：**400-9920-988** 官方网站 <http://www.fancool.net/>

E-Mail: fancool18@163.com

1.0: 一般规格 (General Specification)

项目 (Item)		规格/条件 (Specification/Condition)	
1	型号(Model No.)	SF 5010SM24V	
2	外型尺寸(Outline. Dimension)	50*50*11.5	
3	工作电压 (Operating Voltage)	DC 17.0-26.5V	
4	额定电压(Rated .voltage)	DC 24.0 V	
5	起动电压 Starting Voltage	DC 16.00 V	
6	额定电流(Rated current)	0.04A	a. 额定电压(Rated .voltage) b. 25°C 65% RH C. After testing for 5 minutes
7	消耗功率(Power consumption)	0.96W	
8	转速 (Speed)	5500±10%RPM	
9	最大风量 : (Max Airflow)	9.12CFM	a. 额定电压(Rated .voltage) b. AMCA 标准 (Standard) C. 额定电流(Rated current)
	最大静压 : (Air .Static Pressure)	4.32mmH2O	
10	最大噪音 (Max Noise)	32.70Db-A	a. 额定电压 (Rated Voltage) b. 18dB无响室 (18dB Non-Echo Chamber) c. 标准 (Standard):CNS 8753 / ISO 3744 d. Test Condition :ISO 7779 e. 距离 (Distance): 1.0 M
11	Life expectancy(期望寿命)	30000 hrs at temp25°C Humidity5%-95%	MTTF (Mean Time To Failure) Conf. Level 90%)
12	扇叶数 (No.of.Blade)	7 叶	
13	极数 (No.of.Pole)	4 极	
14	运转方向 (Rotating Direction)	逆时针/运转方向是从扇叶面看	
15	锁住保护 Lock Protection	无 NO	
16	极性保护 Polarity Protection	无 NO	

17	恒速功能 fixed constant speed Function	无 NO
18	过流保护 Over current protection	无 NO
19	软启动 Soft Starting	无 NO
20	PWM 功能 PWM function	无 NO

2.0: 主要材料/零件规格 (Main Materials/parts Specification)

材料/零件 (Materials/parts)		规格(Specification)	
1	塑料材料/扇叶 外框 (Plastic Material/Blade, Housing)	PBT 黑色方框 7 叶	
2	轴承 (Bearing Type)	含油轴承 (Sleeve Bearing)	
3	引线 (Lead Wire)	24#300AVG 200mm 线长	
4	端子 (Connector)	2.54 白色反端 2P	
		红	黑
		VCC	GND

3.0 電性规格 (Electrical Specifically)

1	绝缘阻抗 Insulation Resistance	10MΩ/裸线与外框间测量, 500VDC/min 10MΩ/between unshackled wire and frame at 500VDC/min
2	绝缘耐压 Dielectric Strength	5Ma Max./导线与外框间测量, 500VAC/min 5Ma Max./Measured between lead wire(+)and frame at 500VAC/min
3	防水等级 Waterproof level	IP X0

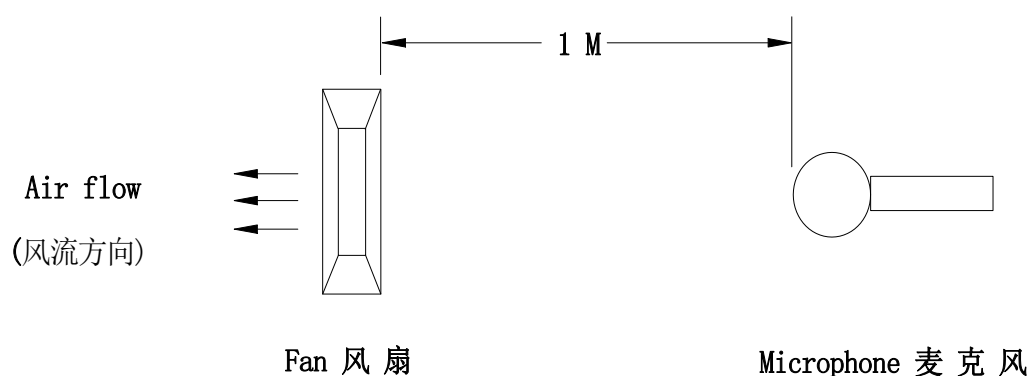
4.0 环境测试 (Environmental Specification)

1	运转温/湿度范围 Operating Temp .Range	温度/Temperature:-10°C - +75°C 湿度/Humidity:5% - 95%RH
2	保存温/湿度范围 Storage Temperature	温度/Temperature:-30°C - +85°C 湿度/Humidity:5% - 95%RH
3	耐湿性 Humidity	电气规格依据 MIL-STD 202F Method 103B 湿度: 95%RH 温度: 40±2°C
4	热冲击 Thermal Shock	电气规格依据 MIL-STD 202F Method 107D Per MIL-STD 202F Method 107D,Condition D

5	绝缘阶段 Insulation Shock	UL: A 级 UL : Class A
6	包装耐振动试验 Packing Vibration Test	包装后, XYZ 三方向施 1.1G load vibration test for 30min .No serious damage
7	包装耐冲击试验 Packing Shock Proof Test	捆包后, 高 60 公分, 1 棱角 3 边 6 面自然落下, 无严重损坏. 1comer,3edges, 6faces natural drop from 60cm high packing No serious damage

5.0 在无响室额定电压下之噪音测试

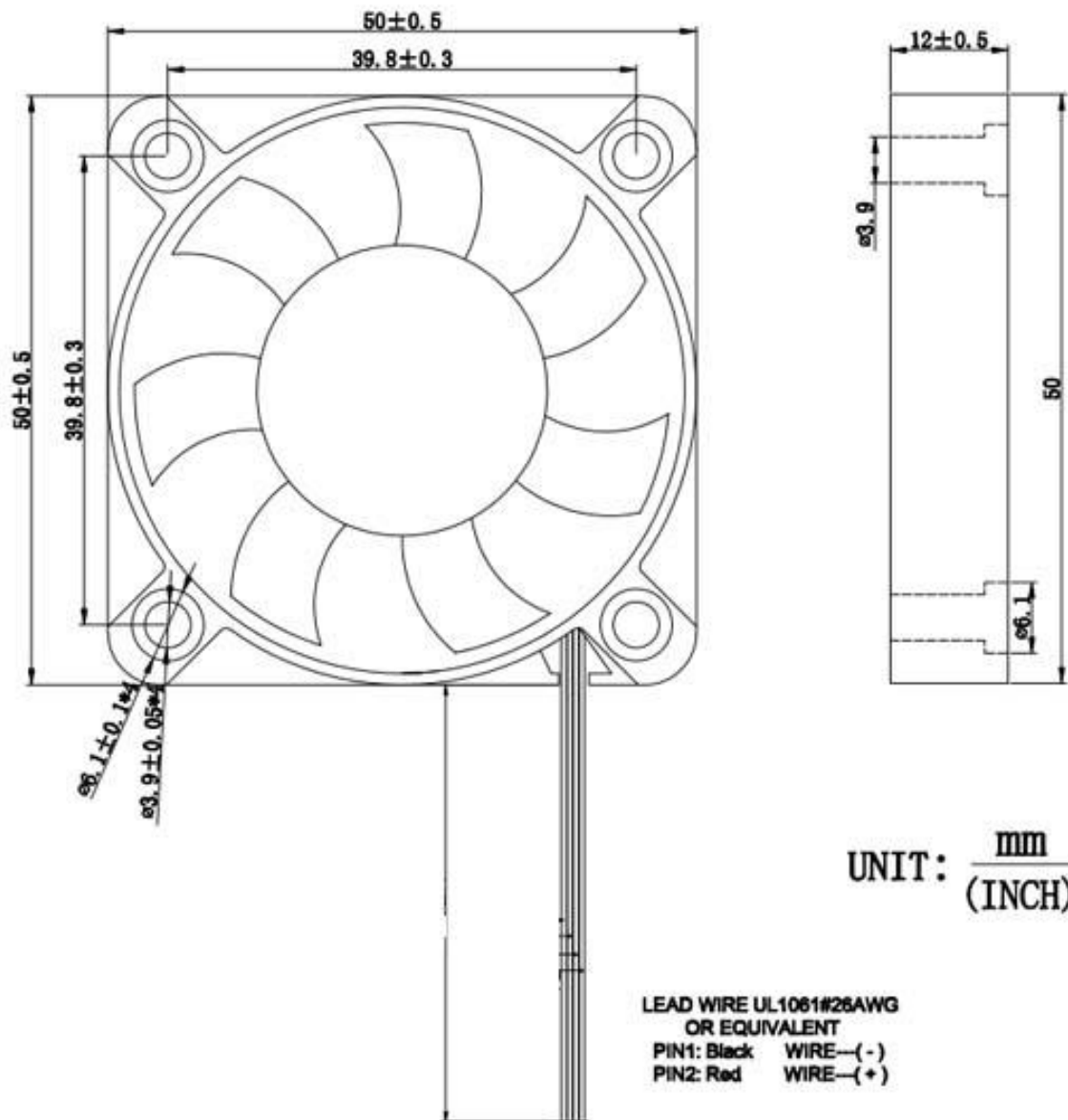
(Noise is measured at rated voltage in anechoic



(在背景噪音不超过 18dB (A) 的无响室内, 将待测风扇通入额定的工作电压, 悬掉入空中, 将麦克风放于风扇同一平面且离待测风扇进风口一米处进行测试其 B&K 值)

Noise is measured rated voltage in free air in anechoic chamber with B&K sound level meter with microphone at a distance of one meter from the fan intake.The background noise is 18Db(A) max.

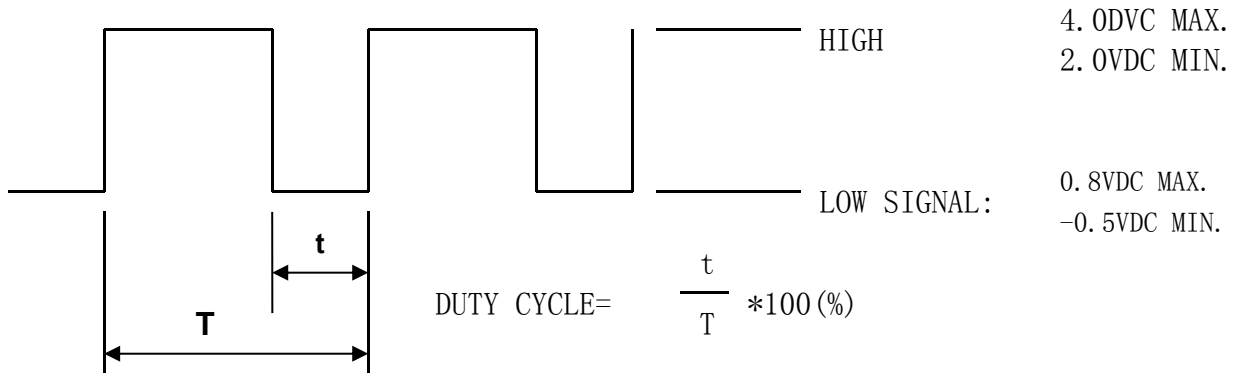
7.0 外观图:



8.0 功能描述

Functional description

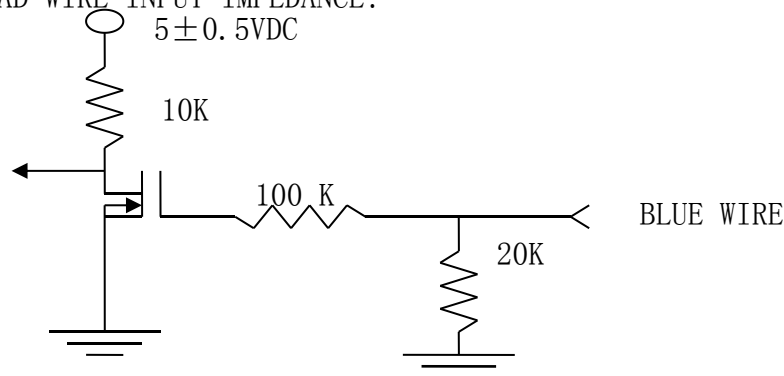
8.1. PWM CONTROL SIGNAL PWM 控制信号:



SIGNAL VOLTAGE RANGE 控制电压输入范围: -0.5~+4.0VDC

- THE FREQUENCY FOR CONTROL SIGNAL OF THE FAN SHALL BE ABLE TO ACCEPT 16K~32 KHZ.
- THE PREFERRED OPERATING POINT FOR THE FAN IS 25K HZ.
- AT 100% DUTY CYCLE, THE ROTOR WILL SPIN AT MAXIMUM SPEED.
- AT 0% DUTY CYCLE, THE ROTOR WILL STOP.
- WHEN CONTROL SIGNAL LEAD DISCONNECTED, THE FAN WILL MAXIMUM SPEED.
- AT 25K 3%~5% DUTY CYCLE, THE FAN WILL BE ABLE TO START FROM A DEAD STOP.
- THE FAN SPEED CONTROL IS CLOSED-LOOP.

8.2. PWM CONTROL LEAD WIRE INPUT IMPEDANCE:



1. THE FAN SPEED WILL DEFAULT TO MAXIMUM WHEN THE SPEED CONTROL INPUT IS LEFT UNCON
2. ABSOLUTELY NO INTERNAL PULL-UP. NECTED.
3. PWM Diagram

9.0 转速反馈和报警信号反馈介绍

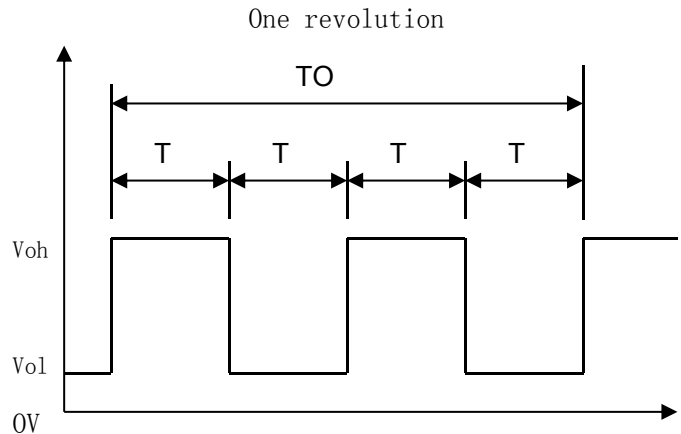
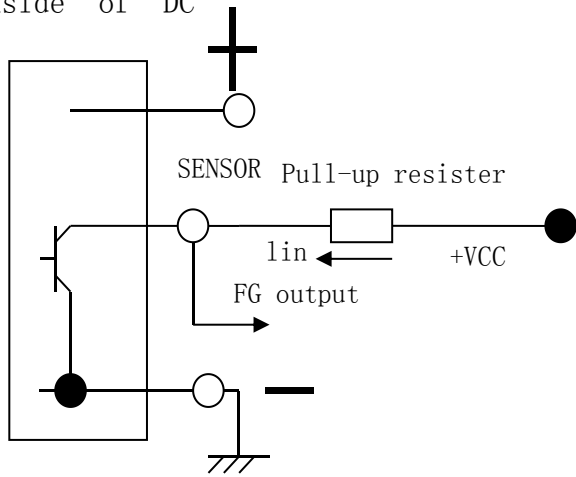
9.1 FG and RD Function Introduction

FG (Tach output type) Connection Diagram 转速反馈连接介绍

Fan with FG function will creat a square wave output. You can know fan speed by sensing the output wave Frequency. Most dc fan have four pole. So when fan run for one round, there will be two high level pulse. About other Multipole brushless fan, high level pulse will be different.

But please notice if you want to sense it' s output wave, there is a external circuit. Please check the circuit Diagram below. There is no pull-up and VCC value limit. But please notice the Max I_{in} have to be small than 20mA.

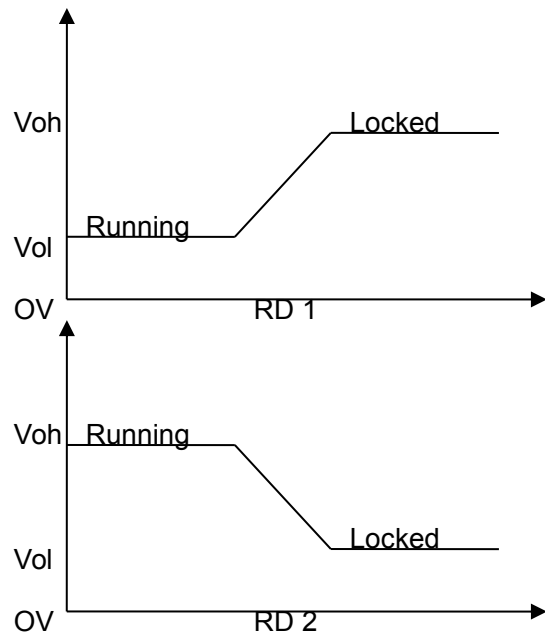
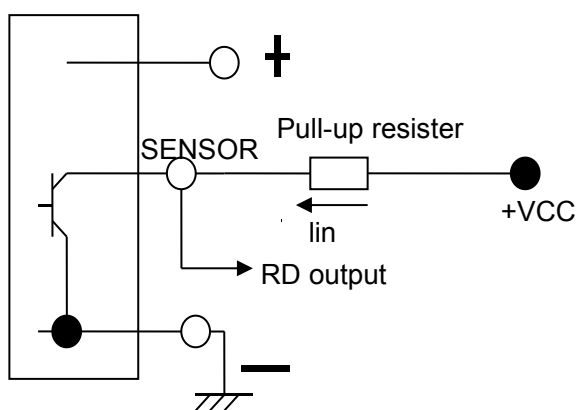
Inside of DC



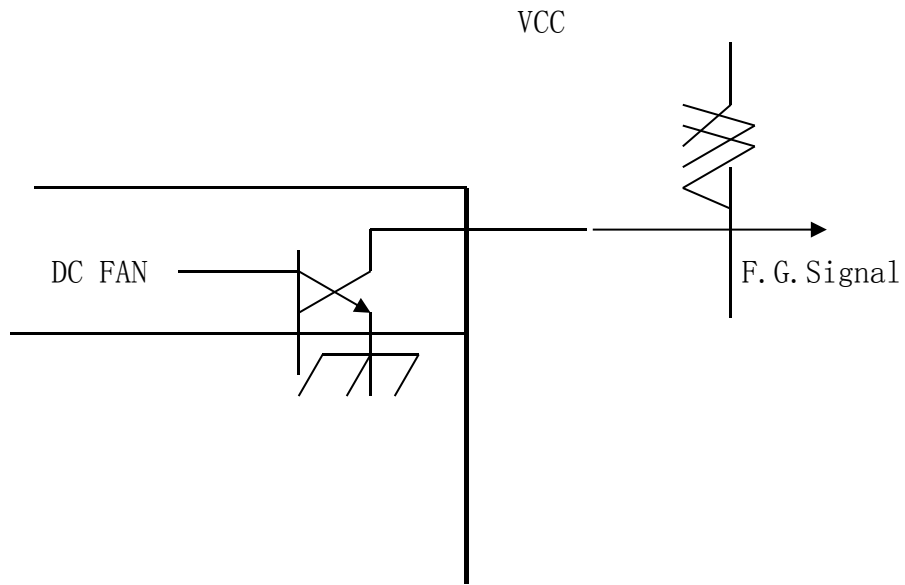
9.2 RD (Alarm output) connection Diagram 报警输出连接方式介绍

Some fan have RD extra function. There is a alarm signal output when fan stop work. Please notice there are Two kinds of signal output. Different customer will need different alarm type. Please check the diagram below. RD alarm input voltage 3.3V. RD output current 20mA

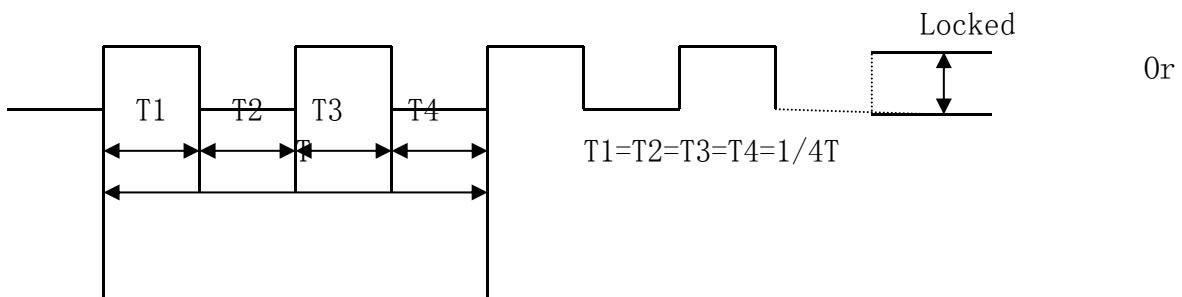
Inside of DC fan



10.0 頻率測試方式 (Frequency test mode)



11.1 波形 (Wave form)



注意事项 (NOTES)

1 Before use, make sure the supply voltage to meet the use of the product range, line-powered load exceeds the maximum power consumption of this product 120%. And the voltage is stable without clutter

(使用前, 确认供电电压能满足本产品的使用范围, 供电电路负载超过本产品的最大功耗的 120%。且电压是稳定不含杂波干扰)

2 Please when ventilator circular telegram normal work do not use the hand to bump touches fan blade border

(请在风扇通电正常运转时不要用手碰触扇叶边沿)

3 Please do not touch the impeller and never carry the fan the lead wires. The bearings and the lead wires may be damaged. Additionally, static electricity may damage the internal circuits of the fan

(请不要碰触扇叶和拉扯线材, 以免损坏轴承及导线。此外, 静电可能损坏内部的风扇元件)

4 Please do not use the fan in the environment of corrosive gas or liquid.

(请不要将风扇置于腐蚀的气体和液体中)

5 Please do not store the fan in the environment of high humidity. Please avoid storage of the fan over 6 months. For long term storage, please connect power to the fan shortly every 6 months even though the fan is stored in room temperature.

(请不要将风扇储存在高湿度的环境中, 请尽量避免将风扇储存期超过 6 个月。如果要长期储存, 请将其在室温的环境下。且每隔 6 个月须上电源让风扇短时间运转。)

Shenzhen BCTC Testing Co., Ltd.

BCTC Building & 1-2F, East of B Building, Pengzhou Industrial, Fuyuan 1st Road,
Qiaotou Community, Fuyong Street, Bao'an District, Shenzhen, China



Certificate of Compliance

Applicant : SHENGFENGHONG ELECTRONICS CO.,LTD.
No.1-2205 Yabao Rd., Bantian, Longgang Distict, Shenzhen, China

Manufacturer : SHENGFENGHONG ELECTRONICS CO.,LTD.
No.1-2205 Yabao Rd., Bantian, Longgang Distict, Shenzhen, China

Product : Draught fan*cooling fan
M/N : 12032 DC48V B2 BLOWER
SFH12032, SFH1504, SFH1805, SFH2006, SFH2010, SFH2507, SFH2510,
SFH3007, SFH3010, SFH3020, SFH3507, SFH3510, SFH4007, SFH4010,
SFH4015, SFH4020, SFH4028, SFH4056, SFH5010, SFH5012, SFH5015,
SFH5020, SFH5025, SFH6010, SFH6015, SFH6020, SFH6025, SFH6038,
SFH7010, SFH7015, SFH7020, SFH7025, SHF7030, SFH7038, SFH7530,
SFH8010, SFH8015, SFH8020, SFH8025, SFH8038, SFH9010, SFH9015,
SFH9020, SFH9025, SFH9038, SFH9210, SFH9215, SFH9220, SFH9225,
SFH9238, SFH10025, SFH11025, SFH12025, SFH12038, SFH14025,
SFH14038, SFH15050, SFH16050, SFH17238, SFH17251, SFH18060,
SFH20060, SFH22060, SFH25489

Test Standard : EN 55032: 2015, EN 55035:2017
EN 61000-3-2:2014, EN 61000-3-3:2013

Order No. / Report No. : BCTC-LH180601620C/BCTC-LH180601620E

The EUT described above has been tested according to the listed standards and found in compliance with the council EMC directive 2014/30/EU. The observations and test results referenced from this Certificate are relevant only to the sample tested. This Certificate is for the exclusive use of BCTC's Client and is provided pursuant to the agreement between BCTC and its Client. This Certificate is part of the full test report(s) and should be read in conjunction with it.

CE



This certificate of conformity is based on a single evaluation of the submitted sample(s) of the above mentioned product. It does not imply an assessment of the whole product and relevant. Directives have to be observed.

Tel: 400-788-9558 0755-33019988
Http://www.bctc-lab.com Http://www.bctc-lab.com.cn



Shenzhen BCTC Testing Co., Ltd.

BCTC Building & 1-2F, East of B Building, Pengzhou Industrial, Fuyuan 1st Road,
Qiaotou Community, Fuyong Street, Bao'an District, Shenzhen, China



Verification of Conformity

Certificate Number: BCTC-LH180601621C

We herewith confirm the following designated product:

Applicant : **SHENGFENGHONG ELECTRONICS CO.,LTD.**
No.1-2205 Yabao Rd., Bantian, Longgang Distict, Shenzhen, China

Manufacturer : **SHENGFENGHONG ELECTRONICS CO.,LTD.**
No.1-2205 Yabao Rd., Bantian, Longgang Distict, Shenzhen, China

Product : **Draught fan*cooling fan**
M/N : **12032 DC48V B2 BLOWER**
SFH12032, SFH1504, SFH1805, SFH2006, SFH2010, SFH2507, SFH2510,
SFH3007, SFH3010, SFH3020, SFH3507, SFH3510, SFH4007, SFH4010, SFH4015,
SFH4020, SFH4028, SFH4056, SFH5010, SFH5012, SFH5015, SFH5020, SFH5025,
SFH6010, SFH6015, SFH6020, SFH6025, SFH6038, SFH7010, SFH7015, SFH7020,
SFH7025, SHF7030, SFH7038, SFH7530, SFH8010, SFH8015, SFH8020, SFH8025,
SFH8038, SFH9010, SFH9015, SFH9020, SFH9025, SFH9038, SFH9210, SFH9215,
SFH9220, SFH9225, SFH9238, SFH10025, SFH11025, SFH12025, SFH12038,
SFH14025, SFH14038, SFH15050, SFH16050, SFH17238, SFH17251, SFH18060,
SFH20060, SFH22060, SFH25489

The submitted sample of the above equipment has been tested and found to comply with the following standards:

- **FCC Part 15, Subpart B**
- **ANSI C63.4: 2014**

This verification is part of the full test report(s) and should be read in conjunction with it. The referred Test report(s) show that the product complies with standard(s) recognized as giving presumption of compliance with the essential requirements in the specified FCC standard.

This Verification does not imply assessment of the production of the product.



This certificate of conformity is based on a single evaluation of the submitted sample(s) of the above mentioned product. It does not imply an assessment of the whole product and relevant. Directives have to be observed.

Tel: 400-788-9558 0755-33019988
Http://www.bctc-lab.com Http://www.bctc-lab.com.cn



X-ON Electronics

Largest Supplier of Electrical and Electronic Components

Click to view similar products for [DC Fans](#) category:

Click to view products by [SHENG FENG](#) manufacturer:

Other Similar products are found below :

[F1238H24B-FHR](#) [F1238X24B1-FSR-TTL](#) [8312R](#) [G9225S05B2-FSR](#) [AUB0612L](#) [G4020H05B2-RSR-EM](#) [298DM-2LP11-000](#) [298DS-2LP11-000A](#) [AUB0912H-F00](#) [6222N](#) [USTF501005HW](#) [8412GLV](#) [8412NGL-12](#) [4114N/12HHR-297](#) [6448-384](#) [PMD2408PMB1-A\(2\).F.GN](#)
[RACK0224](#) [3258JH](#) [4114N/17-251](#) [622/2N](#) [4318/2R](#) [4412F/2D](#) [OD127AP-28HTB](#) [424JMU](#) [EF40101BX-1000U-G99](#) [4414/2HH](#)
[AQ0612MB-A70GL\(T\)#22](#) [9GA0924L4021](#) [9GA0924M4021](#) [9GA0924M4011](#) [9GA0912M4D011](#) [9GA0912F4021](#) [9GA0912H4D011](#)
[9GA0824L20021](#) [9GA0824L20011](#) [9GA0812A2002](#) [9GA0812B2D001](#) [9GA0812L20021](#) [9WP1248M1021](#) [9GA0824L2D001](#)
[9GA0912W402](#) [9GA0912M402](#) [9GA0824B2D001](#) [9GA0824A20021](#) [9GA0912W4021](#) [9GA0924W402](#) [9GA0812L2D0011](#)
[9GA0812A20021](#) [9GA0824L2001](#) [9GA0824L2002](#)