



胜丰电子有限公司

APPROVAL SHEET

Customer:

Customer P/N: SF 8025B2M24V

Description: DC FAN

Model NO.: SF 8025B2M24V

Version.: A Issue NO.: 18SFH0523

Issue date: 2018-05-23 Quantity: 3PCS

***Please sign back this specification for our record upon your approval.**

Thanks!

Company Stamp	CUSTOMER APPROVAL Stamp
制作：黄梓洪	承认：
复核：吴国旗	核准：
核准：陈海林	日期：

地址：深圳市龙岗区布吉镇京南路京南工业区

电话：0755-82716358 82579709 传真：22636467

免费咨询和订购热线：**400-9920-988** 官方网站 <http://www.fancool.net/>

E-Mail: fancool18@163.com

1.0: 一般规格 (General Specification)

项目 (Item)		规格/条件 (Specification/Condition)	
1	型号(Model No.)	SF 8025B2M24V	
2	外型尺寸 (Outline Dimension)	80*80*25	
3	工作电压 (Operating Voltage)	DC 17.0-26.5V	
4	额定电压 (Rated .voltage)	DC 24.0 V	
5	起动电压 Starting Voltage	DC ≤13.0V on/off	
6	额定电流 (Rated current)	0.12A	a. 额定电压(Rated .voltage) b.25°C 65% RH c.After testing for 5 minutes
7	消耗功率 (Power consumption)	2.88W	
8	转速 (Speed)	3500±10%RPM	
9	风量 :(Airflow) (AT ZERO STATIC PRESSURE)	44.30CFM	a. 额定电压(Rated .voltage) b. AMCA 标准 (Standard) C. 额定电流(Rated current)
	静压 : (Air .Static Pressure) (AT ZERO AIRFLOW)	5.30mmH2O	
10	噪音标准 (Noise Level)	Max36.90dB	a. 额定电压 (Rated Voltage) b. 18dB无响室 (18dB Non-Echo Chamber) c. 标准 (Standard):CNS 8753 / ISO 3744 d. Test Condition :ISO 7779 e. 距离 (Distance): 1.0 M
11	Life expectancy(期望寿命)	50000 hrs at temp40°C Humidity5%-95%	MTTF (Mean Time To Failure) Conf. Level 90%)
12	扇叶数	7叶	

	(No.of.Blade)	
13	极数 (No.of.Pole)	4 极
14	运转方向 (Rotating Direction)	逆时针/运转方向是从扇叶面看
15	锁住保护 Lock Protection	<input type="checkbox"/> 无 NO
16	极性保护 Polarity Protection	<input type="checkbox"/> 无 NO
17	过流保护 (Over current protection)	<input type="checkbox"/> 无 NO
18	恒速功能 fixed constant speed Function	<input type="checkbox"/> 无 NO
19	FG 功能 FG function	<input type="checkbox"/> 无 NO
20	PQ 曲线	

2.0:主要材料/零件规格 (Main Materials/parts Specification)

材料/零件 (Materials/parts)		规格(Specification)
1	塑料材料/扇叶 外框 (Plastic Material/Blade, Housing)	PBT 黑色方框 7 叶
2	轴承 (Bearing Type)	滚珠轴承 (Ball Bearing)
3	引线 (Lead Wire)	UL1007# 26# 180mm 黑红分线
4	端子 (Connector)	2.54-2P
		红 VCC 黑 GND

3.0 電性规格 (Electrical Specifically)

1	絕緣阻抗 Insulation Resistance	10MΩ/裸線与外框間測量，500VDC/min 10MΩ/between unshackled wire and frame at 500VDC/min
2	絕緣耐压 Dielectric Strength	5Ma Max./導線与外框間測量，500VAC/min 5Ma Max./Measured between lead wire(+)and frame at 500VAC/min
3	防水等级 Waterproof level	IP X0

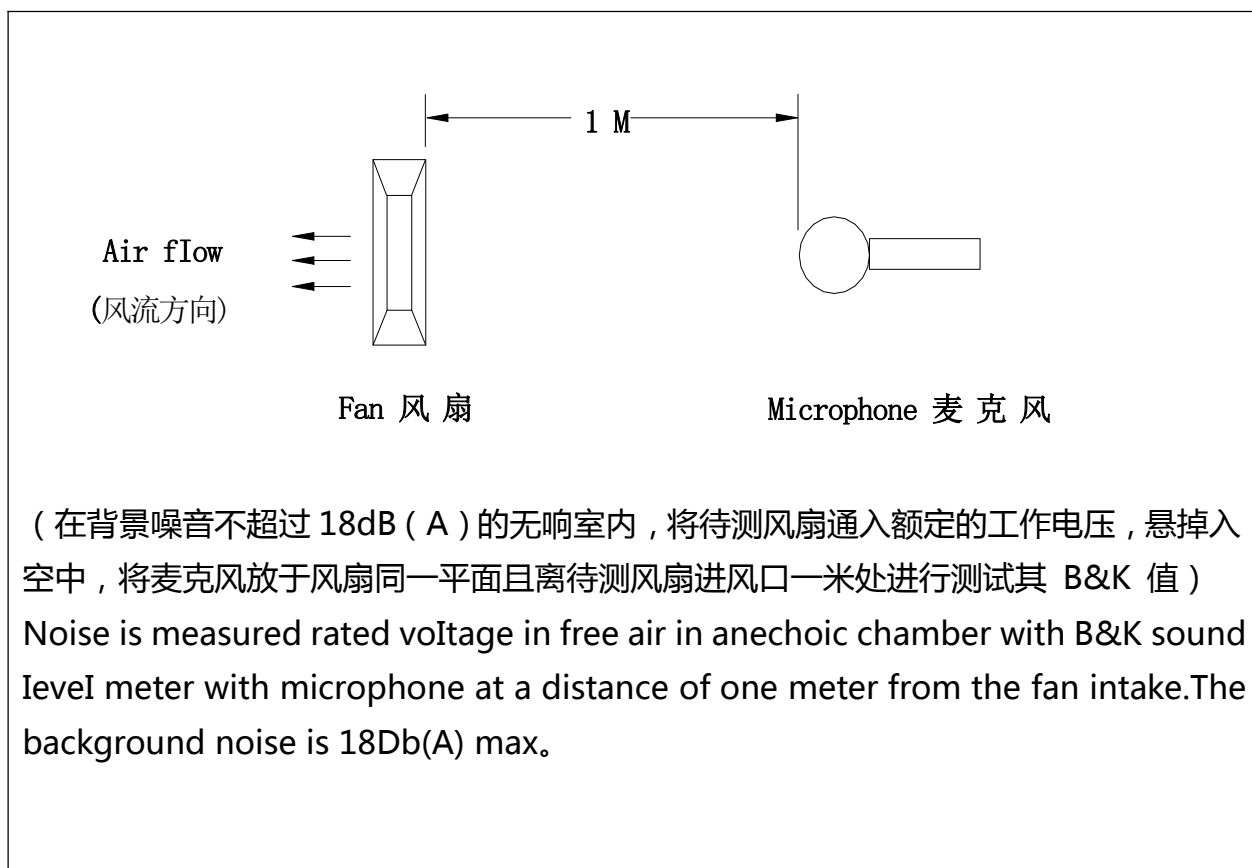
4.0 环境测试 (Environmental Specification)

1	运转温/湿度范围 Operating Temp .Range	温度/Temperature:-10°C - +70°C 湿度/Humidity:5% - 95%RH
---	-----------------------------------	--

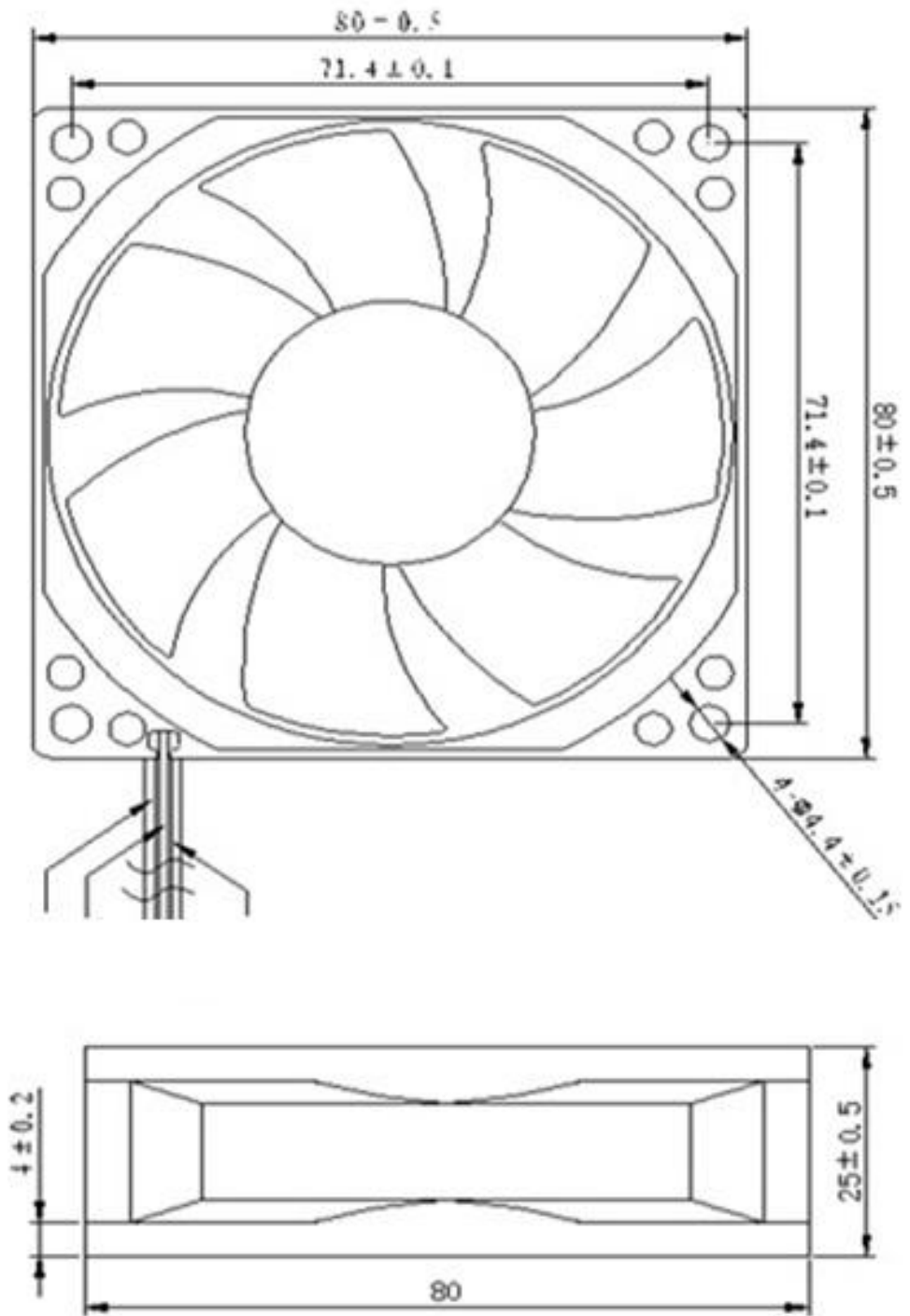
2	保存温/湿度范围 Storage Temperature	温度/Temperature: -40°C - +75°C 湿度/Humidity: 5% - 95%RH
3	耐湿性 Humidity	电气规格依据 MIL-STD 202F Method 103B 湿度 : 95%RH 温度 : 40±2°C
4	热冲击 Thermal Shock	电气规格依据 MIL-STD 202F Method 107D Per MIL-STD 202F Method 107D, Condition D
5	绝缘阶段 Insulation Shock	UL: A 种 UL : Class A
6	包装耐振动试验 Packing Vibration Test	包装后, XYZ 三方向施 1.1G load vibration test for 30min .No serious damage
7	包装耐冲击试验 Packing Shock Proof Test	捆包后, 高 60 公分, 1 棱角 3 边 6 面自然落下, 无严重损坏. 1comer, 3edges, 6faces natural drop from 60cm high packing No serious damage

5.0 在无响室额定电压下之噪音测试

(NOISE IS MEASURED AT RATED VOLTAGE IN ANECHOIC)



6.0 风扇框叶图



胜丰电子有限公司

SHENGFENG ELECTRONICS CO.,LTD

400-9920-988

制图: 陈卿伟

www.fancool.net

审核: 陈惠

注意事项 (NOTES)

- 1 Before use, make sure the supply voltage to meet the use of the product range, line-powered load exceeds the maximum power consumption of this product 120%. And the voltage is stable without clutter
(使用前, 确认供电电压能满足本产品的使用范围, 供电电路负载超过本产品的最大功耗的 120%。且电压是稳定不含杂波干扰)
- 2 Please when ventilator circular telegram normal work do not use the hand to bump touches fan blade border
(请在风扇通电正常运转时不要用手碰触扇叶边沿)
- 3 Please do not touch the impeller and never carry the fan the lead wires. The bearings and the lead wires may be damaged. Additionally, static electricity may damage the internal circuits of the fan
(请不要碰触扇叶和拉扯线材, 以免损坏轴承及导线。此外, 静电可能损坏内部的风扇元件)
- 4 Please do not use the fan in the environment of corrosive gas or liquid.
(请不要将风扇置于腐蚀的气体和液体内)
- 5 Please do not store the an in the environmet of high humidity. Please avoid storage of the fan over 6months. For long term storage, please connect power to the fan shortly every 6 months even through the fan is stored in room temperature.
(请不要将风扇储存在高湿度的环境中, 请尽量避免将风扇储存期超过 6 个月。如果要长期储存, 请将其在室温的环境下。且每隔 6 个月须上电源让风扇短时间运转。)



CERTIFICATE OF EMC COMPLIANCE

According to Directive: **2004/108/EC**

Ref. No.: **2012NT0507825**

Product: Cooling Fan
Applicant: Qingdao Shengfeng Electronics Co., Ltd.
Address: Houjin Community, Xifu Town, Chengyang Area, Qingdao City, China
Manufacturer: Qingdao Shengfeng Electronics Co., Ltd.
Address: Houjin Community, Xifu Town, Chengyang Area, Qingdao City, China
Model: Refer to attachment
Rating: 48V $\overline{\text{---}}$, 0.75A

The test sample of product has been passed, the test according to requirements of the following standards:

Standard(s):
EN 55022:2010
EN 55024:2010

Test report(s) No.:
NTEK-2012NT0507825E

Based on the voluntary assessment of the product sample and technical file, we confirm that the above-mentioned product meets the requirements of the EC directive.

The CE mark as show below can be used, under the responsibility of the manufacturer or the importer, after completion of an EC declaration of conformity and compliance with all relevant EC directives.



Approved by/Date:



May 11, 2012

Department Manager

NTEK Testing Technology Co., Ltd.

Address: 1/F, Building E, Fenda Science Park, Sanwei Community, Xixiang Street, Bao' an District, Shenzhen P.R. China
Tel: (86)-0755-61156588 Fax: (86)-0755-61156599 Http: www.ntek.org.cn



VERIFICATION OF CONFORMITY

According to **FCC part 15**

Ref. No.: **2012NT0507826**

Product: Cooling Fan
Applicant: Qingdao Shengfeng Electronics Co., Ltd.
Address: Houjin Community, Xifu Town, Chengyang Area, Qingdao City, China
Manufacturer: Qingdao Shengfeng Electronics Co., Ltd.
Address: Houjin Community, Xifu Town, Chengyang Area, Qingdao City, China
Model: Refer to attachment
Rating: 48V $\overline{=}$, 0.75A

The test sample of product has been passed, the test according to requirements of the following standards:

Standard(s): CFR, Title 47 FCC Part 15: 2010
Test report(s) No.: NTEK-2012NT0507826E

The Sample was tested to conform to the applicable FCC Rules and Regulations. The method of testing was in accordance to the most accurate measurement standards possible, and that all necessary steps have been enforced to assure that all production units of the same equipment will continue to comply with the Federal Communications Commission's requirements.



Approved by/Date:



May 11, 2012

Department Manager

NTEK Testing Technology Co., Ltd.

Address: 1/F, Building E, Fenda Science Park, Sanwei Community, Xixiang Street, Bao' an District, Shenzhen P.R. China
Tel: (86)-0755-61156588 Fax: (86)-0755-61156599 Http: www.ntek.org.cn

X-ON Electronics

Largest Supplier of Electrical and Electronic Components

Click to view similar products for [AC Fans](#) category:

Click to view products by [SHENG FENG](#) manufacturer:

Other Similar products are found below :

[8850A](#) [A2D200-AA04-41](#) [A2E165-AA17-01](#) [AC430019H-012](#) [144LS-2282-010](#) [1500-FAN-01](#) [25.350.5253.0](#) [S2E250-AL06-70](#) [A2D210-AB10-05](#) [A2D240-AA02-02](#) [23241-3](#) [25.345.5353.0](#) [281DY-1LP14-000B](#) [344DY-1LP11-000](#) [39.703.0253.0](#) [USTF1203224VHW](#)
[3915100996-SA3](#) [3G2C7MC224](#) [W2D200-HH04-07](#) [W2S130-AA03-43](#) [S2E250-BB13-22](#) [8856N](#) [A2E170-AF23-11](#) [W4S250-CA20-56](#)
[W2S130-AB03-09](#) [5900](#) [C45-A7](#) [TAC12025230MT](#) [8550A](#) [8560N](#) [AD0405HB-G73\(9T\)](#) [CENT-2000-FFTM](#) [CENT-2000-RFTM](#) [W2D200-CA04-52](#) [W2S130-AB25-10](#) [A4E330-AB18-09](#) [W2E250-DB05-52](#) [W4E315-CS22-70](#) [W2E300-CP02-75](#) [S4S250-BA02-20](#) [S2D300-BP02-37](#) [W2S130-AB25-24](#) [W2D250-GA08-08](#) [A2E200-AH38-70](#) [TAC8025115HW](#) [F1238H24BT-FHR](#) [S2D300-CP02-34](#) [4118N/2H8PU-011](#)
[RLF100-1114-060](#) [AD3512MB-G5B](#)