



深圳市胜丰宏电子有限公司

APPROVAL SHEET

Customer: G729792

Customer P/N: SFB5020SM12

Description: DC FAN

Model NO. : SFB5020SM12

Version. : A Issue NO. : SFH230701

Issue date: 2023-07-01 Quantity: 499PCS

*Please sign back this specification for our record upon your approval.

Thanks!

Company Stamp	CUSTOMER APPROVAL Stamp
制作：张昭	承认：
复核：郭自义	核准：
核准：李长江	日期：

工厂地址：东莞市清溪镇谢坑村东寓一街2号友和辉
工业园1栋三楼

电话：13714729189 传真：22636467

免费咨询和订购热线：400-9920-988 官方网站 <http://www.fancool.net/>

1.0: 一般规格 (General Specification)

项目 (Item)		规格/条件 (Specification/Condition)	
1	型号(Model No.)	SFB5020SM12	
2	外型尺寸(Outline. Dimension)	50*50*20	
3	工作电压 (Operating Voltage)	DC 7.0-13.8V	
4	额定电压(Rated .voltage)	DC 12.0 V	
5	起动电压 Starting Voltage	DC ≤7.0V on/off	
6	额定电流(Rated current)	0.17A±10%	a. 额定电压(Rated .voltage) b.25℃ 65% RH C.After testing for 5 minutes
7	消耗功率(Power consumption)	2.04W±10%	
8	转速 (Speed)	6000±10%RPM	
9	最大风量: (Max Airflow)	3.79CFM	a. 额定电压(Rated .voltage) b. AMCA 标准 (Standard) C. 额定电流(Rated current)
	最大静压: (Air .Static Pressure)	13.33mmH2O	
10	最大噪音 (Max Noise)	Max:39.90Db-A	a. 额定电压 (Rated Voltage) b. 18dB无响室 (18dB Non-Echo Chamber) c. 标准 (Standard):CNS 8753 / ISO 3744 d. Test Condition :ISO 7779 e. 距离 (Distance): 1.0 M
11	Life expectancy(期望寿命)	25000 hrs at temp25℃ Humidity5%-95%	MTTF (Mean Time To Failure) Conf. Level 90%)
12	扇叶数 (No.of.Blade)	涡轮叶	
13	极数 (No.of.Pole)	4极	
14	运转方向 (Rotating Direction)	逆时针/运转方向是从扇叶面看	
15	锁住保护 Lock Protection	<input type="checkbox"/> 有 YES 安规条件/ Safety Condition	
16	极性保护 Polarity Protection	VCC与GND反接时 不导通 Open circuit when Vcc & GND are exchanged	
17	过流保护 (Over current protection)	<input type="checkbox"/> 无 NO	
18	恒速功能 fixed constant speed Function	<input type="checkbox"/> 无 NO	
19	PWM 功能 PWM function	<input type="checkbox"/> 无 NO	

2.0:主要材料/零件规格 (Main Materials/parts Specification)

材料/零件 (Materials/parts)		规格(Specification)	
1	塑料材料/扇叶 外框 (Plastic Material/Blade,Housing)	PBT 黑色方框涡轮叶	
2	轴承 (Bearing Type)	含油轴承 (Sleeve Bearing)	
3	引线 (Lead Wire)	UL1061#28#200mm 黑红分线 2.5-2P	
4	端子 (Connector)	红(VCC)	黑(GND)
5	环保要求 (EnvironmentalRequirement)	<input type="checkbox"/> ROHS	<input type="checkbox"/> fireproof

3.0 電性規格 (Electrical Specifically)

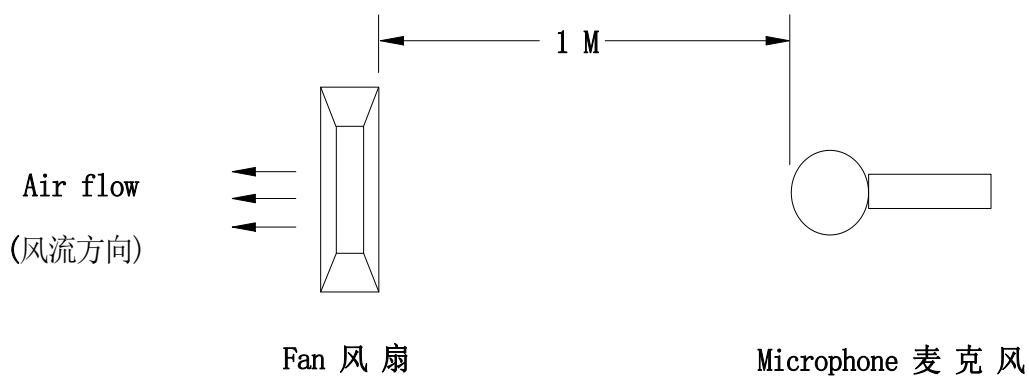
1	绝缘阻抗 Insulation Resistance	10MΩ/裸线与外框间测量, 500VDC/min 10MΩ/between unshackled wire and frame at 500VDC/min
2	绝缘耐压 Dielectric Strength	5Ma Max./导线与外框间测量, 500VAC/min 5Ma Max./Measured between lead wire(+)and frame at 500VAC/min
3	防水等级 Waterproof level	IP X0

4.0 环境测试 (Environmental Specification)

1	运转温/湿度范围 Operating Temp .Range	温度/Temperature:-10°C - +70°C 湿度/Humidity:5% - 95%RH
2	保存温/湿度范围 Storage Temperature	温度/Temperature:-40°C - +75°C 湿度/Humidity:5% - 95%RH
3	耐湿性 Humidity	电气规格依据 MIL-STD 202F Method 103B 湿度: 95%RH 温度: 40±2°C
4	热冲击 Thermal Shock	电气规格依据 MIL-STD 202F Method 107D Per MIL-STD 202F Method 107D,Condition D
5	绝缘阶段 Insulation Shock	UL: A 级 UL: Class A
6	包装耐振动试验 Packing Vibration Test	包装后, XYZ 三方向施 1.1G load vibration test for 30min .No serious damage
7	包装耐冲击试验 Packing Shock Proof Test	捆包后, 高 60 公分, 1 棱角 3 边 6 面自然落下, 无严重损坏. 1comer,3edges, 6faces natural drop from 60cm high packing No serious damage

5.0 在无响室额定电压下之噪音测试

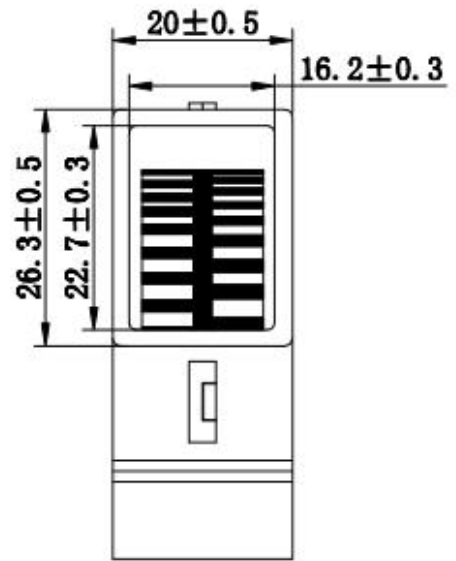
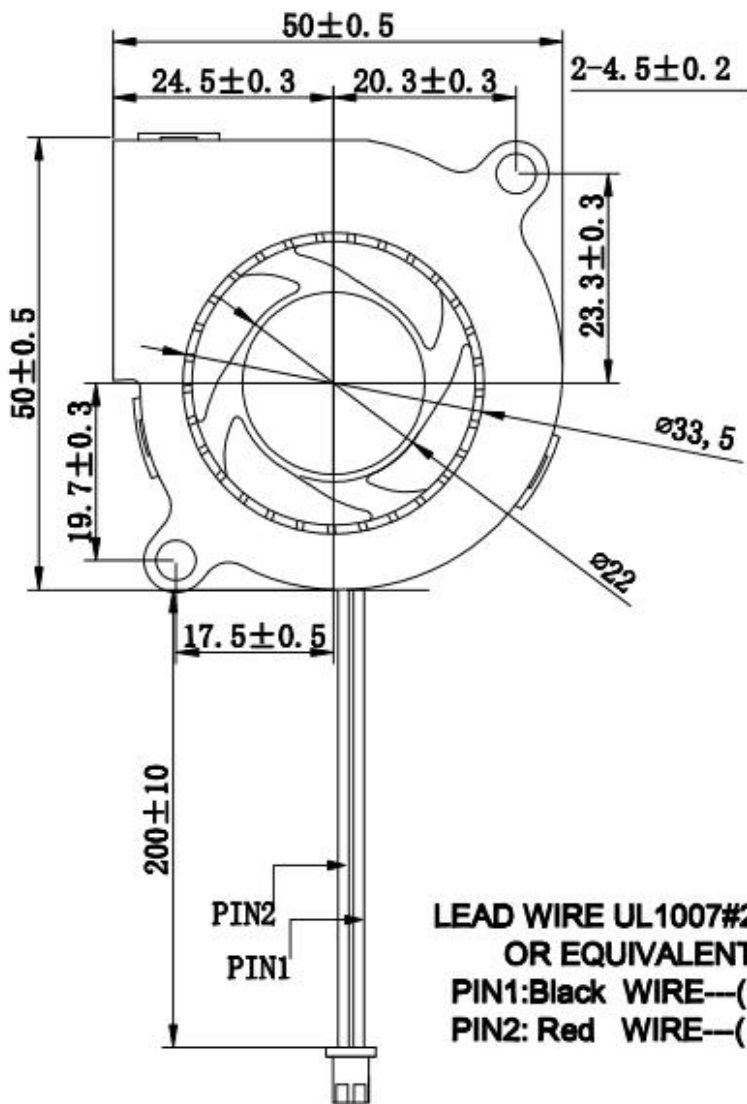
(Noise is measured at rated voltage in anechoic chamber)



(在背景噪音不超过 18dB (A) 的无响室内，将待测风扇通入额定的工作电压，悬掉入空中，将麦克风放于风扇同一平面且离待测风扇进风口一米处进行测试其 B&K 值)

Noise is measured rated voltage in free air in anechoic chamber with B&K sound level meter with microphone at a distance of one meter from the fan intake. The background noise is 18Db(A) max.

6.0 框叶图:



UNIT: $\frac{\text{mm}}{(\text{INCH})}$

**LEAD WIRE UL1007#26AWG
 OR EQUIVALENT
 PIN1:Black WIRE--(-)
 PIN2: Red WIRE--(+)**

注意事项 (NOTES)

1 Before use, make sure the supply voltage to meet the use of the product range, line-powered load exceeds the maximum power consumption of this product 120%. And the voltage is stable without clutter

(使用前, 确认供电电压能满足本产品的使用范围, 供电电路负载超过本产品的最大功耗的 120%。且电压是稳定不含杂波干扰)

2 Please when ventilator circular telegram normal work do not use the hand to bump touches fan blade border

(请在风扇通电正常运转时不要用手碰触扇叶边沿)

3 Please do not touch the impeller and never carry the fan the lead wires. The bearings and the lead wires may be damaged. Additionally, static electricity may damage the internal circuits of the fan

(请不要碰触扇叶和拉扯线材, 以免损坏轴承及导线。此外, 静电可能损坏内部的风扇元件)

4 Please do not use the fan in the environment of corrosive gas or liquid.

(请不要将风扇置于腐蚀的气体和液体内)

5 Please do not store the fan in the environment of high humidity. Please avoid storage of the fan over 6 months. For long term storage, please connect power to the fan shortly every 6 months even though the fan is stored in room temperature.

(请不要将风扇储存在高湿度的环境中, 请尽量避免将风扇储存期超过 6 个月。如果要长期储存, 请将其在室温的环境下。且每隔 6 个月须上电源让风扇短时间运转。)



This certificate is responsible for testing sample only.
Please refer to this corresponding test report to get testing process and data.

CERTIFICATE

ATTESTATION Certificate of Compliance

Technical file of the company mentioned below has been inspected and audit has been completed successfully

The EMC Directive 2014/30/EU has been taken as references for these processes.

Certificate's Holder : SHENZHEN SHENGFENGHONG ELECTRONICS CO., LTD.
Address : Third floor, building a, Hetai Industrial Park, NO:6, Datang North Road, Xiawei village, Zhutang, Fenggang town, Dongguan City, China
Manufacturer : SHENGFENGHONG ELECTRONICS CO., LTD.
Address : No.1-2205 Yabao Rd., Bantian , Longgang Distict, Shenzhen, China
Product Name : cooling fan
Product Model (S) : SF12038, SF1504, SF1805, SF2006, SF2010, SF2507, SF2510, SF3007, SF3010, SF3507, SF3510, SF4007, SF4010, SF4015, SF4020, SF4028, SF4056, SF5010, SF5012, SF5015, SF5020, SF6010, SF6015, SF6020, SF6025, SF6038, SF7010, SF7015, SF7020, SF7025, SF7030, SF7530, SF8010, SF8015, SF8020, SF8025, SF8038, SF8076, SF9010, SF9015, SF9025, SF9038, SF9215, SF9225, SF9238, SF9733, SF10025, SF11025, SF12025, SF12032, SF14025, SF14038, SF15050, SF16038, SF16050, SF17238, SF17250, SF17251, SF18060, SF20060, SF22060, SF25489
Trade Mark : N/A
Related Directive : 2014/30/EU
Related Standards : EN 55032:2015 + A1:2020 + A11:2020
EN 55035:2017 + A11:2020
Certificate Number : HK2109183572E
Report No. : HK2109183572-1ER
Registration Date : Sep. 24, 2021



The information of the certificate can be checked through www.cer-mark.com. The CE mark which is shown on the certificate can only be used under the conditions that the products complete with all of the relevant Directives of EC Declaration of Conformity. The Manufacturer should be responsible for the internal production control so that the products complied with the essential requirements of the above mentioned Directive(s). Certificate holder must notify all changes to the original certification laboratory of HUAKE.



Shenzhen HUAKE Testing Technology Co., Ltd.

Add.:1-2/F., Building B2, Junfeng Zhongcheng Zhizao Innovation Park, Heping, Fuhai Street, Bao'an District, Shenzhen, Guangdong, China
Tel.:+86-755-2302 9901 Http:// www.cer-mark.com Postcode:518103 E-mail: service@cer-mark.com



This certificate is responsible for testing sample only.
Please refer to this corresponding test report to get testing process and data.

CERTIFICATE

ATTESTATION Certificate of Compliance

Technical file of the company mentioned below has been inspected and audit has been completed successfully

The RoHS Directive 2015/863/EU amending Annex II to Directive 2011/65/EU has been taken as references for these processes.

Certificate's Holder : SHENZHEN SHENGFENGHONG ELECTRONICS CO., LTD.
 Address : Third floor, building a,Hetai Industrial Park, NO:6,
 Datang North Road, Xiawei village, Zhutang,
 Fenggang town, Dongguan City, China

Manufacturer : SHENZHEN SHENGFENGHONG ELECTRONICS CO.,LTD.
 Address : No.1-2205 Yabao Rd., Bantian, Longgang Distict, Shenzhen China

Product Name : cooling fan
 SF12038, SF1504, SF1805, SF2006, SF2010, SF2507, SF2510, SF3007,
 SF3010, SF3507, SF3510, SF4007, SF4010, SF4015, SF4020, SF4028,
 SF4056, SF5010, SF5012, SF5015, SF5020, SF6010, SF6015, SF6020,
 SF6025, SF6038, SF7010, SF7015, SF7020, SF7025, SF7030, SF7530,
 SF8010, SF8015, SF8020, SF8025, SF8038, SF8076, SF9010, SF9015,
 SF9025, SF9038, SF9215, SF9225, SF9238, SF9733, SF10025, SF11025,
 SF12025, SF12032, SF12038, SF14025, SF14038, SF15050, SF16038,
 SF16050, SF17238, SF17250, SF17251, SF18060, SF20060, SF22060,
 SF25489

Product Model (S) : SF8010, SF8015, SF8020, SF8025, SF8038, SF8076, SF9010, SF9015,
 SF9025, SF9038, SF9215, SF9225, SF9238, SF9733, SF10025, SF11025,
 SF12025, SF12032, SF12038, SF14025, SF14038, SF15050, SF16038,
 SF16050, SF17238, SF17250, SF17251, SF18060, SF20060, SF22060,
 SF25489

Trade Mark :
 Related Directive : Directive 2015/863/EU amending Annex II to Directive 2011/65/EU

Certificate Number : HK2109183877R
 Report No. : HK2109183877-1RR
 Registration Date : October 09, 2021



The information of the certificate can be checked through www.cer-mark.com. The CE mark which is shown on the certificate can only be used under the conditions that the products complete with all of the relevant Directives of EC Declaration of Conformity. The Manufacturer should be responsible for the internal production control so that the products complied with the essential requirements of the above mentioned Directive(s). Certificate holder must notify all changes to the original certification laboratory of HUAKE.



Shenzhen HUAKE Testing Technology Co., Ltd.

Addr.:1-2/F., Building B2, Junfeng Zhongcheng Zhizao Innovation Park, Heping, Fuhai Street, Bao'an District, Shenzhen, Guangdong, China
Tel.:+86-755-2302 9901 Http:// www.cer-mark.com Postcode:518103 E-mail: service@cer-mark.com

X-ON Electronics

Largest Supplier of Electrical and Electronic Components

Click to view similar products for [DC Fans](#) category:

Click to view products by [SHENG FENG](#) manufacturer:

Other Similar products are found below :

[F1238H24B-FHR](#) [F1238X24B1-FSR-TTL](#) [8312R](#) [G9225S05B2-FSR](#) [AUB0612L](#) [G4020H05B2-RSR-EM](#) [298DM-2LP11-000](#) [298DS-2LP11-000A](#) [AUB0912H-F00](#) [6222N](#) [USTF501005HW](#) [8412GLV](#) [8412NGL-12](#) [4114N/12HHR-297](#) [6448-384](#) [PMD2408PMB1-A\(2\).F.GN](#)
[RACK0224](#) [3258JH](#) [4114N/17-251](#) [622/2N](#) [4318/2R](#) [4412F/2D](#) [OD127AP-28HTB](#) [424JMU](#) [EF40101BX-1000U-G99](#) [4414/2HH](#)
[AQ0612MB-A70GL\(T\)#22](#) [9GA0924L4021](#) [9GA0924M4021](#) [9GA0924M4011](#) [9GA0912M4D011](#) [9GA0912F4021](#) [9GA0912H4D011](#)
[9GA0824L20021](#) [9GA0824L20011](#) [9GA0812A2002](#) [9GA0812B2D001](#) [9GA0812L20021](#) [9WP1248M1021](#) [9GA0824L2D001](#)
[9GA0912W402](#) [9GA0912M402](#) [9GA0824B2D001](#) [9GA0824A20021](#) [9GA0912W4021](#) [9GA0924W402](#) [9GA0812L2D0011](#)
[9GA0812A20021](#) [9GA0824L2001](#) [9GA0824L2002](#)