



SOT23 封装半导体二极管/SOT23 Plastic-Encapsulate Diodes

BAW56&BAV70&BAV99

用途/Applications: (SWITCHING DIODES)

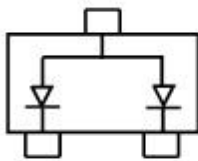
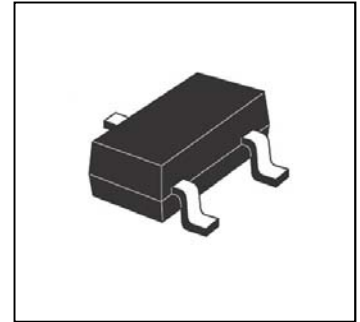
高速开关电路。

特点/Features:

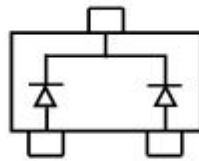
速度快;

湿度敏感等级: MSL3

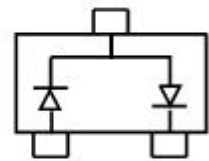
电路和印章/Circuit&Marking:



BAW56 Marking: A1



BAV70 Marking: A4



BAV99 Marking: A7

极限参数/Absolute maximum ratings (Ta=25°C)

参数/Parameter	符号/ Symbol	数值/Value	单位/Unit
反向电压/Reverse Voltage	V_R	70	V
正向电流/Forward Current	I_F	200	mA
正向瞬间峰值电流/Peak Forward Surge Current	$I_{FM(surge)}$	500	mA
功率/ Power Dissipation	P_D	0.225	W
热阻/Thermal Resistance Junction to Ambient Air	$R_{\theta JA}$	556	°C/W
结温/Junction Temperature	T_j	150	°C
储存温度/Storage Temperature	T_{stg}	-55~150	°C
工作温度/Operating Temperature	T	-55~150	°C

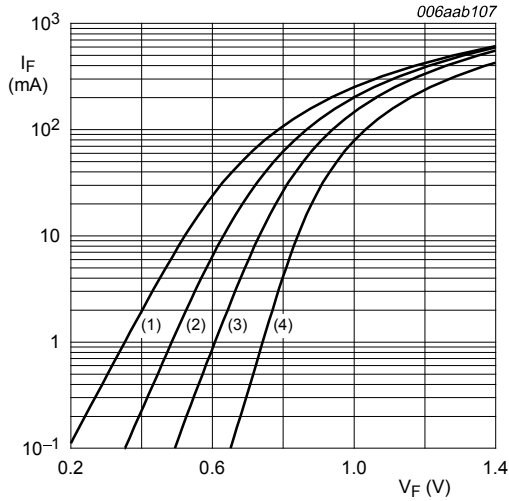
电性能参数/Electrical characteristics (Ta=25°C)

参数/Parameter	符号	测试条件	最小值	最大值	单位
反向击穿电压/Reverse Breakdown Voltage	V_R	$I_R=100 \mu A$	70		V
正向电压/Forward Voltage	V_{F1}	$I_F=1mA$		0.715	V
	V_{F2}	$I_F=10mA$		0.855	V
	V_{F3}	$I_F=50mA$		1	V
	V_{F4}	$I_F=150mA$		1.25	V
反向漏电流/Reverse Current	I_R	$V_R=70V$		2.5	μA
端电容/Capacitance Between Terminals	C_T	$V_R=0, f=1MHz$		1.5	pF
反向恢复时间/Reverse Recovery Time	t_{rr}	$I_F=I_R=10mA,$ $I_{rr}=0.1 \times I_R,$		6	nS



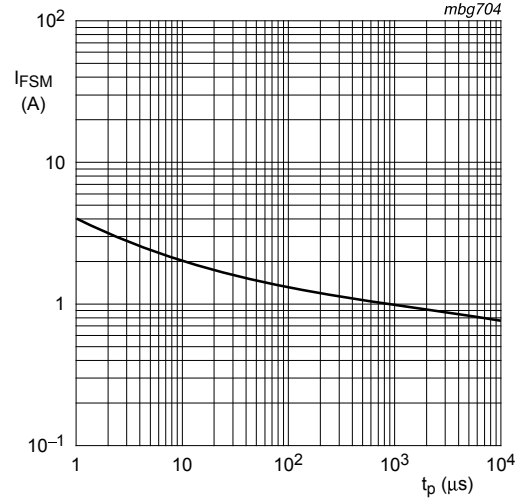
SOT23 封装半导体二极管/SOT23 Plastic-Encapsulate Diodes

典型特性曲线图/Typical Characteristics



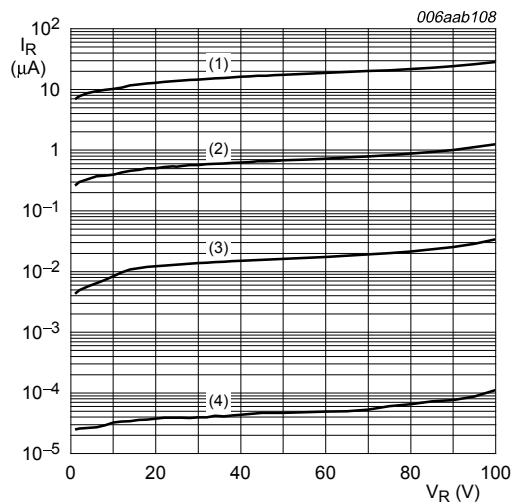
- (1) $T_{amb} = 150\text{ }^\circ\text{C}$
- (2) $T_{amb} = 85\text{ }^\circ\text{C}$
- (3) $T_{amb} = 25\text{ }^\circ\text{C}$
- (4) $T_{amb} = -40\text{ }^\circ\text{C}$

Fig 1. Forward current as a function of forward voltage; typical values



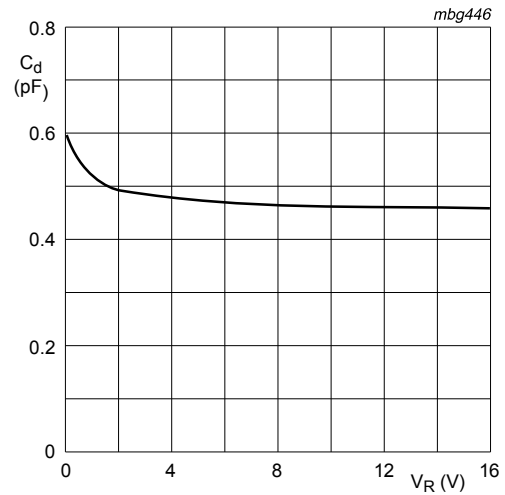
Based on square wave currents.
 $T_j = 25\text{ }^\circ\text{C}$; prior to surge

Fig 2. Non-repetitive peak forward current as a function of pulse duration; maximum values



- (1) $T_{amb} = 150\text{ }^\circ\text{C}$
- (2) $T_{amb} = 85\text{ }^\circ\text{C}$
- (3) $T_{amb} = 25\text{ }^\circ\text{C}$
- (4) $T_{amb} = -40\text{ }^\circ\text{C}$

Fig 3. Reverse current as a function of reverse voltage; typical values



$f = 1\text{ MHz}$; $T_{amb} = 25\text{ }^\circ\text{C}$

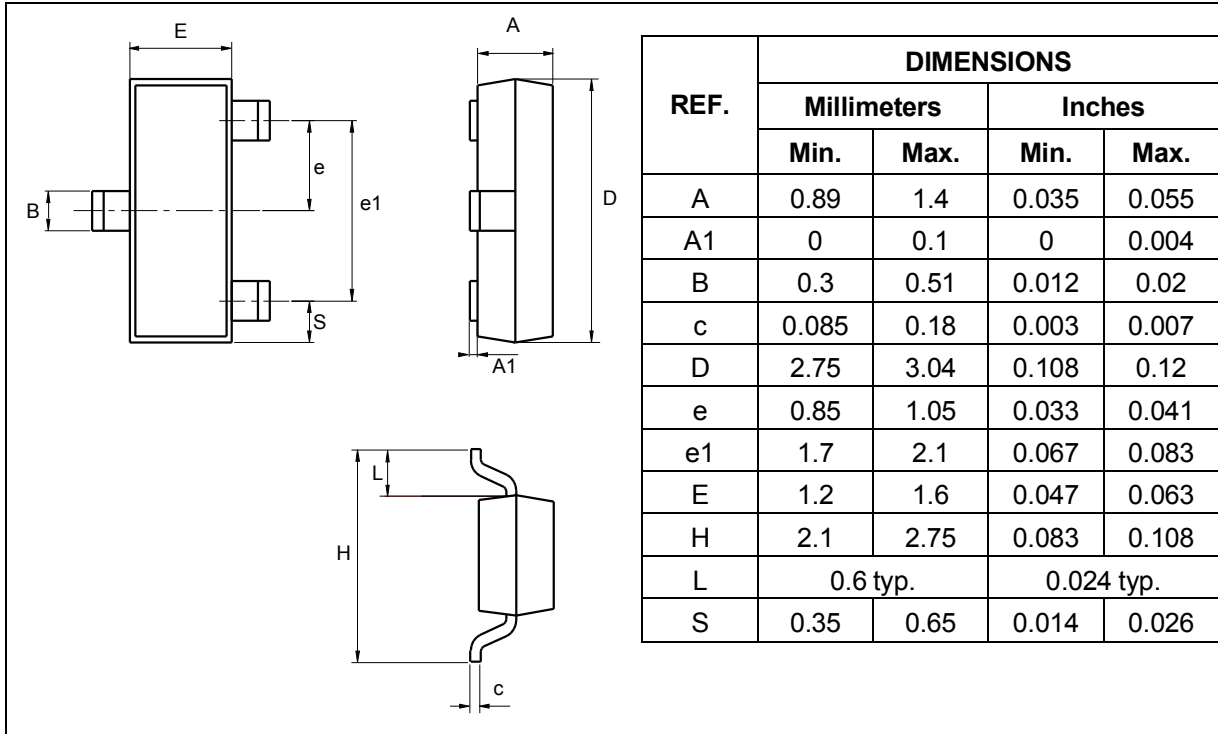
Fig 4. Diode capacitance as a function of reverse voltage; typical values



SOT23 封装半导体二极管/SOT23 Plastic-Encapsulate Diodes

PACKAGE MECHANICAL DATA

SOT23



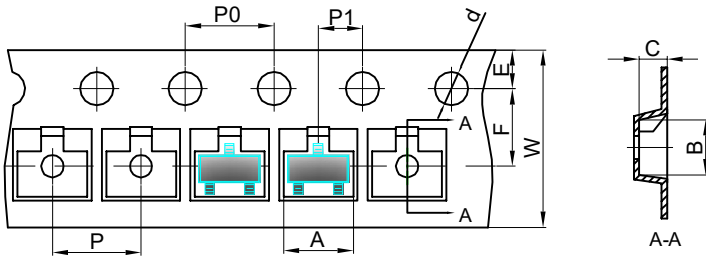


SOT23 封装半导体二极管/SOT23 Plastic Encapsulate Diodes

编带料盘规格

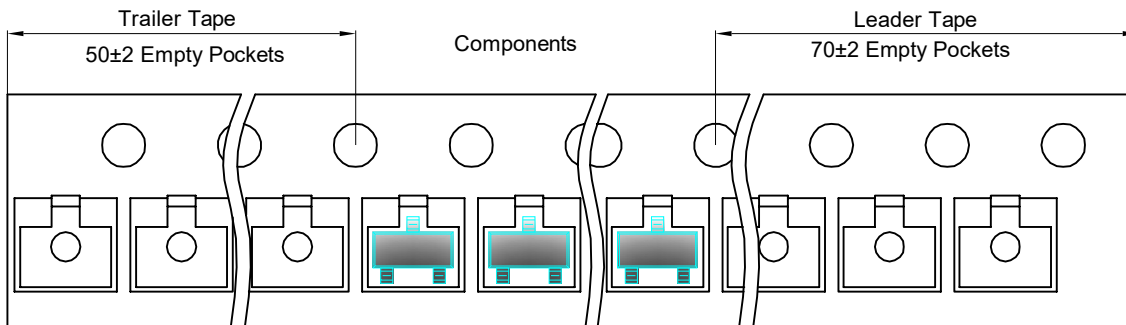
SOT23 Tape and reel

SOT23 Embossed Carrier Tape

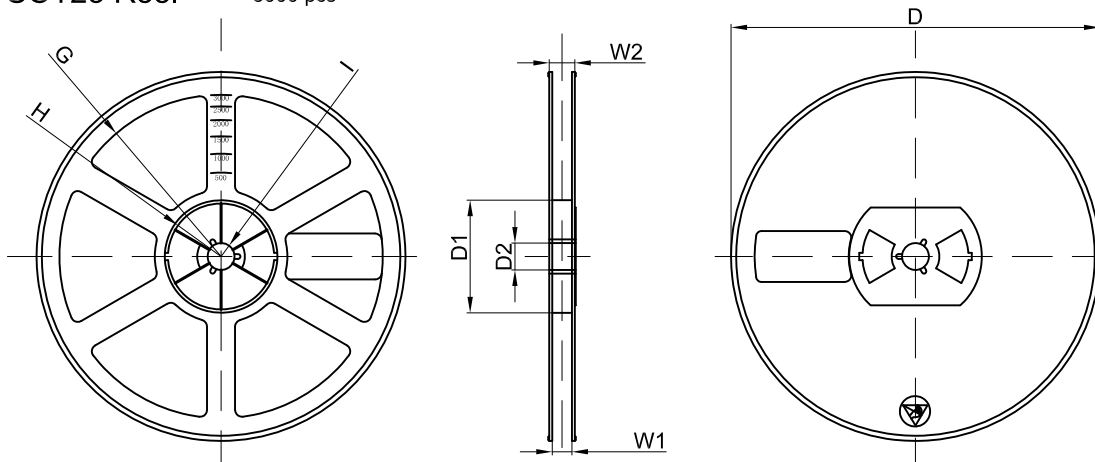


Dimensions are in millimeter										
Pkg type	A	B	C	d	E	F	P0	P	P1	W
SOT23	3.15	2.77	1.22	Ø1.50	1.75	3.50	4.00	4.00	2.00	8.00

SOT23 Tape Leader and Trailer



SOT23 Reel 3000 pcs

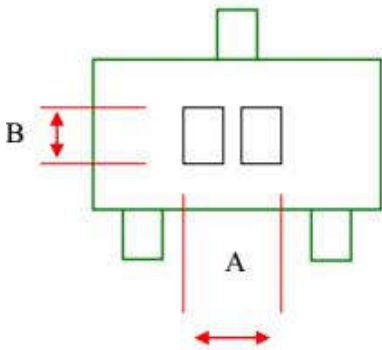


Dimensions are in millimeter								
Reel Option	D	D1	D2	G	H	I	W1	W2
7" Dia	Ø178.00	54.40	13.00	R78.00	R25.60	R6.50	9.50	12.30

SOT23 封装半导体二极管/SOT23 Plastic-Encapsulate Diodes
Marking 说明

如下图

1. 印字尺寸要求



NO.		标准值	公差
A	2 个字符	1.0mm	±0.05mm
	3 个字符	1.6mm	±0.05mm
	4 个字符	2.0mm	±0.05mm
	5 个字符	2.3mm	±0.05mm
	6 个字符	2.35mm	±0.05mm
B		0.70mm	±0.05mm

注：其它非整齐类特殊印字见生产流程卡或订单。

2. 例如：BAV70 印字内容



Note:

(1) 'A4' indicate BAV70, fixed

3. Ordering Information

Part number	Quantity per reel	package	Marking
BAW56	3000	Sot-23	A1
BAV70	3000	Sot-23	A4
BAV99	3000	Sot-23	A7

X-ON Electronics

Largest Supplier of Electrical and Electronic Components

Click to view similar products for [Diodes - General Purpose, Power, Switching category:](#)

Click to view products by [Shenzhen JingYang manufacturer:](#)

Other Similar products are found below :

[MMBD3004S-13-F](#) [1N3611](#) [NTE156A](#) [NTE6244](#) [1SS400CST2RA](#) [SDAA13](#) [SHN2D02FUTW1T1G](#) [1N4449](#) [1N456A](#) [1N914BTR](#)
[D291S45T](#) [BAS 16-02L E6327](#) [BAS 16-02V H6327](#) [BAS 21U E6327](#) [BAS 28 E6327](#) [BAW56DWQ-7-F](#) [BAW56M3T5G](#) [BAW75-TAP](#)
[MM230L-CAA](#) [IDW40E65D1](#) [JAN1N3600](#) [JAN1N4454UR-1](#) [SMMSD4148T3G](#) [BYW95B/A52A](#) [NSVDAN222T1G](#) [CDSZC01100-HF](#)
[BAV70HDW-7](#) [BAS28-7](#) [JANTX1N6640](#) [BAW56HDW-13](#) [BAS28 TR](#) [VS-HFA04SD60STR-M3](#) [1SS388-TP](#) [BAV99TQ-13-F](#)
[BAV99HDW-13](#) [1N4004](#) [MMDB30-E28X](#) [LS4148](#) [IDV15E65D2](#) [W0503RH200S0L](#) [M0268SJ200NLF](#) [M0268RJ200NLF](#) [S3MBF](#) [US1J](#)
[DAN217U-TP](#) [SHV-06JNS-Q](#) [IDW30C65D1](#) [IDW80C65D1](#) [VS-HFA30TA60CSR-M3](#) [M1MA152WAT1](#)