



■ General Description

JY1105 series are CMOS positive voltage linear regulators with low current consumption, high accuracy output, output high speed, low dropout voltage and 500mA(Maximum) output. High accuracy output voltage $\pm 1.5\%$ is realized by using laser trimming technology. The charged output capacitor can be discharged with an internal switch by making EN=VSS, as a result Vout quickly returns to the Vss level. JY1105 have both Thermal Shutdown, and Current limit to prevent device damage under the worst of operating conditions. Low ESR capacitors are available for input and output capacitor.

Adjustable output voltage version JY1105AF and Fixed output voltage version JY1105NF are available.

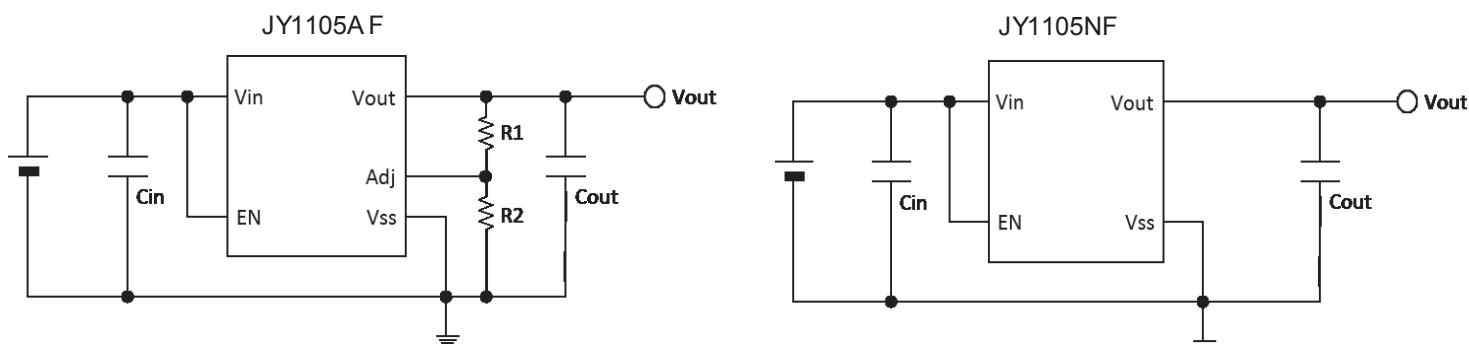
■ Features

- Fixed output voltage version.....0.8V~5.0V (selectable with a step of 0.05V)
- Adjustable output voltage version.....ADJ Reference Voltage=0.6V \pm 1.2%, (Available Vout=0.8V~5.0V)
- Operating input voltage.....1.7V~6.0V
- High accuracy output voltage..... $\pm 1.5\%$ (1.35V \leq Vout), ± 20 mV (Vout<1.35V) at +25 $^{\circ}$ C
- Maximum output current500mA
- Low dropout voltage.....Typ. 220mV (output=3.0V, Iout=300mA)
- Low quiescent current.....Typ. 60 μ A
- High ripple rejection.....Typ. 75dB at 1KHz
- Low ESR output capacitor.....1.0 μ F (1.2V \leq Vout), 3.3 μ F(Vout<1.2V)
- Low ESR input capacitor.....1.0 μ F
- Operating temperature range.....-40 $^{\circ}$ C to +85 $^{\circ}$ C
- Built-in over-current protector.....Limit current : 600mA(Typical)
- Built-in thermal shutdown circuit
- COUT high-speed auto-discharge
- Built-in On/Off circuit (EN)

■ Applications

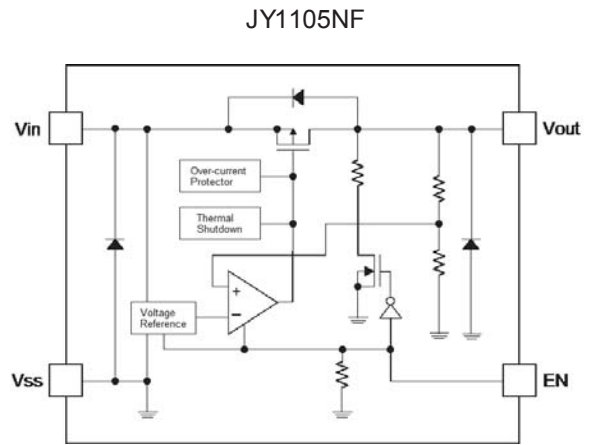
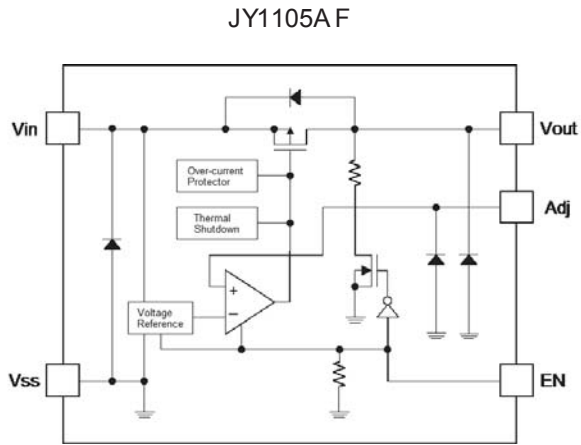
- Battery powered devices
- Cellular phone
- Digital / Video cameras
- Portable games
- Handheld instruments

■ Typical Application

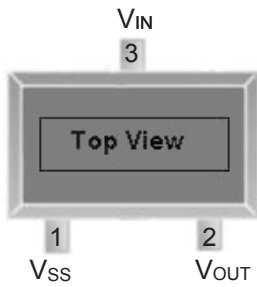




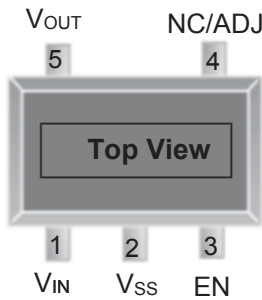
■ Functional Block Diagram(After molding)



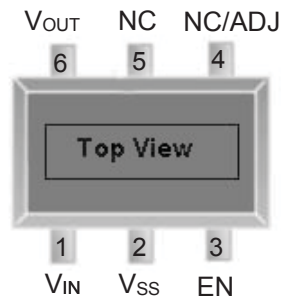
■ Pin Configuration



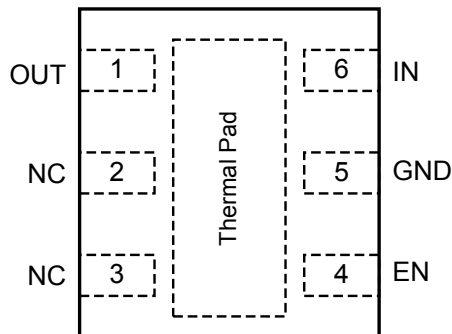
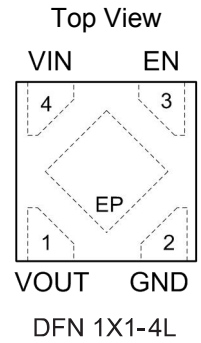
SOT23-3L



SOT23-5L



SOT23-6L



Exposed Pad, connect to ground or leave floating

Top view
DFN 2X2-6L



SOT23 Pin No.	SOT23-5L Pin No.	SOT23-6L Pin No.	DFN 2X2 Pin No.	Symbol	Description
3	1	1	6	VIN	Voltage input
1	2	2	5	VSS	Power ground
	3	3	4	EN	Chip enable
	4	4	2	NC/ADJ	Nc or adjustable
		5	3	NC	NC
2	5	6	1	OUT	Output

Ordering Information

JY1105 - X X

Product Name

Output Voltage

Package type

ADJ : Adjustable Output
 L100:Fixed Output 1.0V
 L120:Fixed Output 1.2V
 L150:Fixed Output 1.5V
 L180:Fixed Output 1.8V
 H250:Fixed Output 2.5V
 H280:Fixed Output 2.8V
 H300:Fixed Output 3.0V
 H330:Fixed Output 3.3V
 H420:Fixed Output 4.2V
 H475:Fixed Output 4.75V
 LXXX: Vout = 0.9V-1.9V
 HXXX: Vout = 1.95V-5.0V

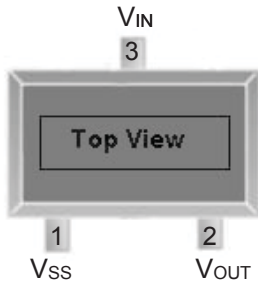
A: SOT23-3
 B: SOT23-5L
 C: SOT23-6L
 N: DFN 2*2-6L

Part name	Packing	Quantity Per Reel
JY1105	SOT23-3L	3000
	SOT23-5/6L	3000
	DFN 2*2	3000

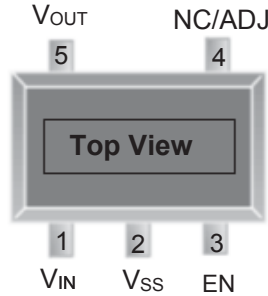


High speed, Low dropout, High output accuracy, Adjustable Output & Fixed Output

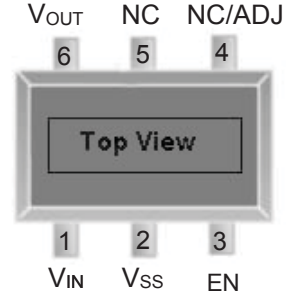
Marking Information



SOT23-3L

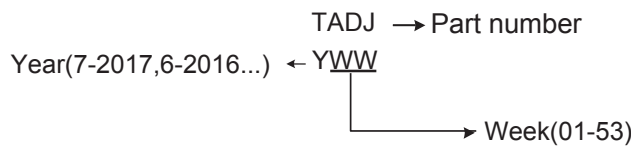


SOT23-5L

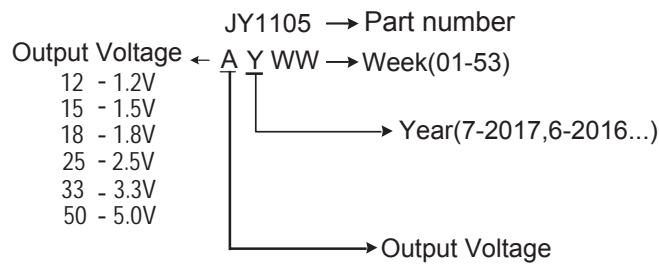


SOT23-6L

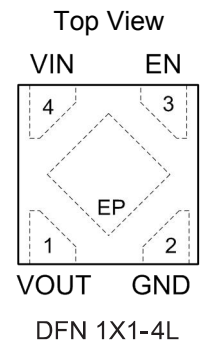
ADJ



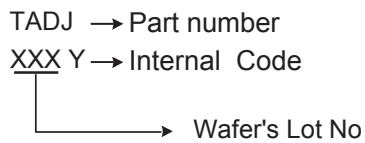
FIX



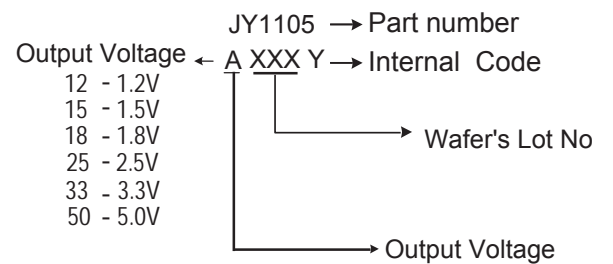
(1)



ADJ



FIX

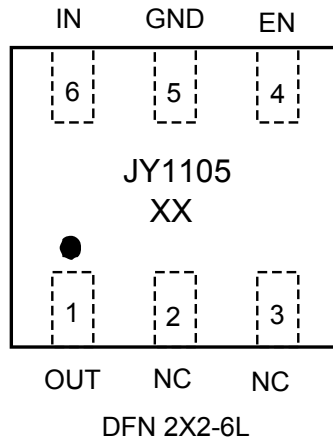


(2)

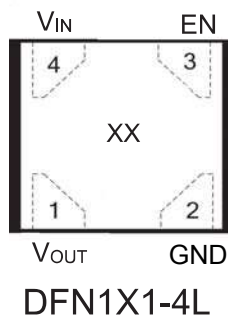


High speed, Low dropout, High output accuracy, Adjustable Output & Fixed Output

Marking Information



XX: 08-50 output voltage
08:0.8V,12:1.2V,18:1.8V,50:5.0V



XX: 08-50 output voltage
08:0.8V,12:1.2V,18:1.8V,50:5.0V



■ Absolute Maximum Rating

Items	Symbol	Ratings	Unit
Input voltage range	Vin	-0.3 to +7.0	V
EN voltage range	VEN	-0.3 to +7.0	V
Adj voltage range	Vadj	-0.3 to +7.0	V
Output current	Iout	Pd/(Vin-Vout)	mA
Output voltage range	Vout	Vss-0.3 to Vin+0.3	V
Power dissipation	SOT-25	Pd	400 (on PCB)
Operating temperature range	Topr	-40 to +85	°C
Storage temperature range	Tstg	-55 to +125	°C

■ Electrical Specifications(1)

(Ta = 25°C, unless otherwise noted.)

Items	Symbol	Conditions	Min.	Typ.	Max.	Unit	Test Circuit	
Output voltage	Vout	Vin=Vout+1.0V, Iout=30mA JY1105NF	Vout ≥ 1.35V	Vout ×0.985	Vout	Vout ×1.015	V	1
			Vout < 1.35V	Vout -20	Vout	Vout +20	mV	1
ADJ Reference Voltage	Vadj	JY1105AF	0.593	0.600	0.607	V	2	
Output current	Iout	Vin=Vout+1.0V	0.8V ≤ Vout ≤ 1.15V	300	-	-	mA	1
			1.2V ≤ Vout ≤ 1.65V	300	-	-		
			1.7V ≤ Vout ≤ 2.25V	300	-	-		
			2.3V ≤ Vout ≤ 2.85V	300	-	-		
			2.9V ≤ Vout ≤ 3.45V	300	-	-		
			3.5V ≤ Vout ≤ 4.05V	300	-	-		
Dropout voltage (Note1)	Vdif	Iout=300mA (Vin ≥ 1.7V)	0.8V ≤ Vout ≤ 1.15V	-	-	900	mV	1
			1.2V ≤ Vout ≤ 1.65V	-	-	500		
			1.7V ≤ Vout ≤ 2.25V	-	305	400		
			2.3V ≤ Vout ≤ 2.85V	-	250	340		
			2.9V ≤ Vout ≤ 3.45V	-	220	300		
			3.5V ≤ Vout ≤ 4.05V	-	210	290		
			4.0V ≤ Vout ≤ 5.00V	-	205	285		

Note1: Dropout Voltage is measured at Vout=Vout(nomal)×0.98, { Vout(nomal) is measured at Vin=Vout+1.0V }



■Electrical Specifications (2)

(Ta = 25°C, unless otherwise noted.)

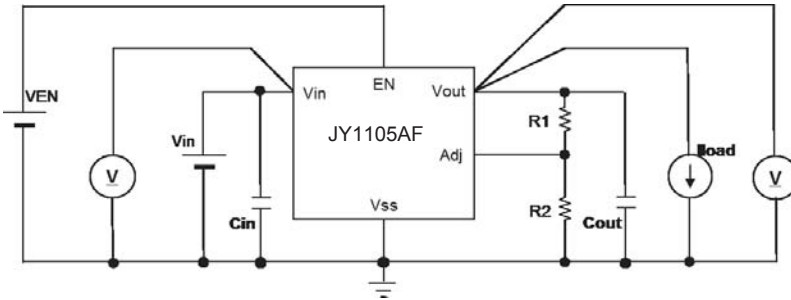
Items	Symbol	Conditions	Min.	Typ.	Max.	Unit	Test Circuit	
Current consumption	Iopr	Vin=Vout+1.0V, Iout=0mA	-	60	90	uA	3	
Standby current	Istb	EN=Vss	-	0.02	0.2	uA	3	
Input voltage	Vin		1.7	-	6.0	V	-	
Load regulation	$\Delta V_{out}/V_{out}$	Vin=Vout+1.0V, Iout=0.1mA to 300mA	Vout<1.35V	-	0.1	0.7	abs(%)	1
			1.35V≤Vout<2.30V	-	0.1	0.6		
			2.30V≤Vout	-	0.1	0.5		
Line regulation	$\Delta V_{out} / (\Delta V_{in} \cdot V_{out})$	Vout+1.0V ≤ Vin ≤ 6.0V, Iout=30mA	-	0.01	0.1	abs(%/V)	1	
Ripple rejection	Rr	Vin=Vout+1.0V, f=1KHz, ΔVrip=0.5Vp-p, Iout=30mA	-	75	-	dB	4	
Limit current	Ilimit	Vin=Vout+1.0V	450	600	-	mA	1	
Short circuit current	Ishort	Vin=Vout+1.0V, Vout=0V	-	100	-	mA	5	
Output voltage temperature coefficient	$\Delta V_{out} / \Delta T_a \cdot V_{out}$	Iout=30mA, Ta= -40°C to +85°C	-	±20	-	ppm/°C	1	
Adj input bias current	Iadj	Adj=0.6V, JY1105AF	-0.1	-	0.1	uA	6	
EN high level voltage	Venh		1.2	-	6	V	1	
EN low level voltage	Venl		-	-	0.3	V	1	
EN high level current	Ienh	EN= Vin= 6.0V	0.3	-	5	uA	7	
EN low level current	Ienl	EN= Vss	-0.1	-	0.1	uA	7	
Cout auto-discharge resistance	Rdis	Vin=6.0V, Vout=4.0V, EN= Vss	-	100	-	Ω	5	
Thermal Shutdown Temperature	Ttsd	Shutdown, temperature increasing	-	150	-	°C	1	
Thermal Shutdown Release Temperature	Ttsr	Release, temperature decreasing	-	120	-	°C	1	



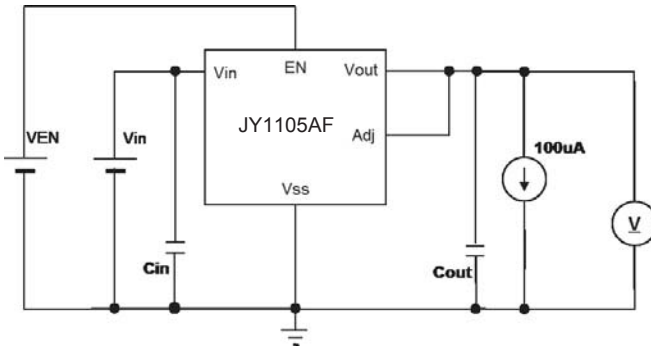
■ Test Circuits

(Note) Apply Adj pin, R1 and R2 to only JY1105AF (Adjustable output voltage version).

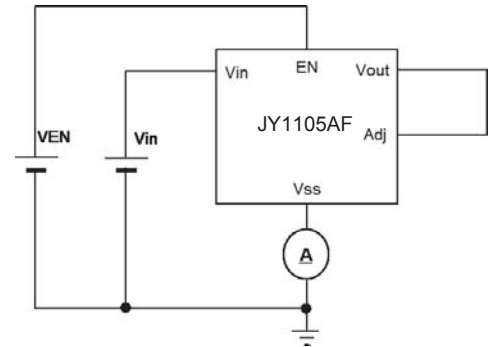
1



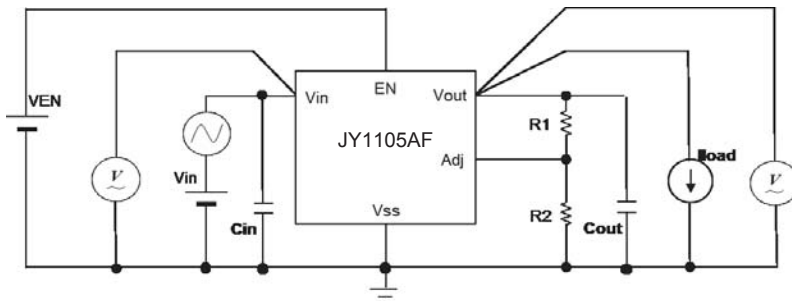
2



3



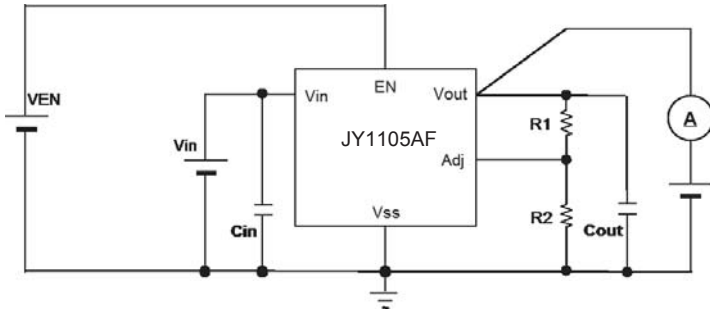
4



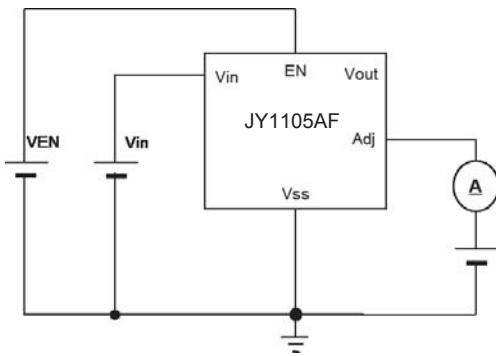


High speed, Low dropout, High output accuracy, Adjustable Output & Fixed Output

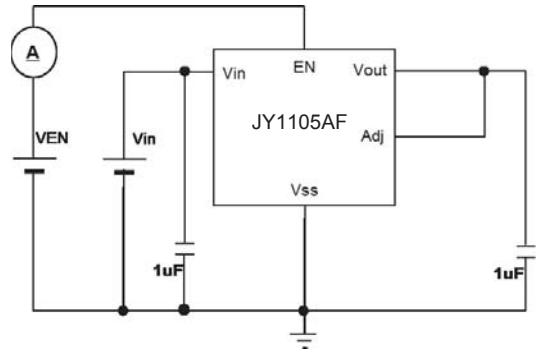
5



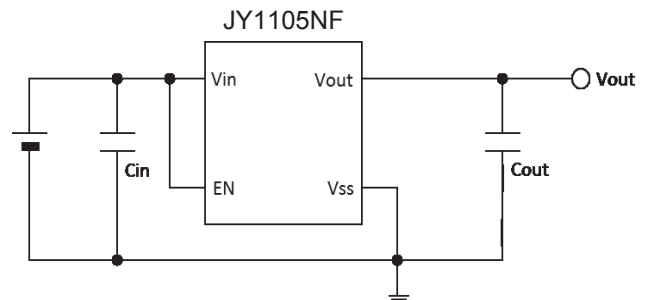
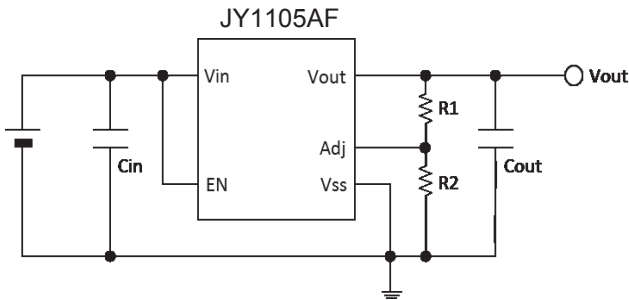
6



7



■ Detailed Description





High speed, Low dropout, High output accuracy, Adjustable Output & Fixed Output

Input and Output Capacitor Requirements

Minimum Capacitance	$V_{out} < 1.2V$	$1.2V \leq V_{out}$
C_{in}	$\geq 1\mu F$	$\geq 1\mu F$
C_{out}	$\geq 3.3\mu F$	$\geq 1\mu F$

X5R- and X7R-type ceramic capacitors are recommended because these components have minimal variation in value and equivalent series resistance (ESR) over temperature and will offer the best AC performance.

JY1105 is stable with an output capacitor to ground. 3.3uF or greater in case of $V_{out} < 1.2V$.

1uF or greater in case of $V_{out} \geq 1.2V$.

And an input capacitor is also important for the stability of JY1105. Place 1uF or greater between V_{in} and ground. Input and output capacitors should be placed as close to JY1105 as possible.

Vout setting of Adjustable Version

Adjustable version uses external feedback resistors to generate an output voltage. The output voltage from 0.8V to 5V are available. V_{adj} is trimmed to 0.6V and V_{out} is given by the following equation.

$$V_{out} = V_{adj} * (1 + R1 / R2)$$

Feedback resistors $R1$ and $R2$ should be high enough to keep quiescent current low, but increasing $R1 + R2$ will reduce stability. In general, $R1$ and $R2$ in the tens of kohm will produce adequate stability. In the same way as capacitors, place $R1$ and $R2$ close to JY1105. Because these form the negative feedback loop of LDO, The distance from resistances to JY1105 influences the stability and other characteristics.

To improve stability characteristics, keep parasitics on the Adj pin to a minimum, and lower $R1$ and $R2$ values.

EN pin

EN pin is Active high. When EN pin is opened or is forced to be low, the Pch MOS pass transistor shuts off, and all internal circuits are powered down. In this standby state, the current consumption decreases to 0.2uA maximum at room temperature. EN pin is pulled down by 4MΩ resistance internally.

Internal Current Limit

JY1105 has internal over load current limit protection circuit. This limits the Pch MOS pass transistor current to 600mA. So, against excessive load, JY1105 limits it internally and the output voltage falls down.

Finally, when the output is shorted to GND level, the Pch MOS pass transistor current is limited to 100mA. This is Short circuit current (I_{short}).

Thermal Shutdown

JY1105 has thermal shutdown circuit internally. This limits total power dissipation in JY1105.

When the junction temperature T_j reaches approximately 150°C, the Pch MOS pass transistor shuts off the load current and allows JY1105 to cool. When the junction temperature T_j falls to approximately 120°C, JY1105 restart the regulation.

(Note)

Internal current limit circuit or Thermal shutdown circuit cannot completely protect JY1105 from the thermal fault conditions. The maximum output power of JY1105 is limited by the maximum power dissipation of the package. The maximum power dissipation should not exceed the package's maximum power rating.

And for reliable operation, junction temperature should be limited to +125°C maximum.

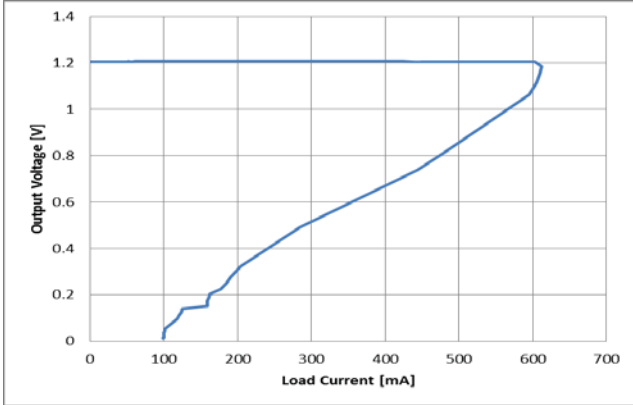
Power dissipation 'P' :

$$P = (V_{in} - V_{out}) * I_{out}$$

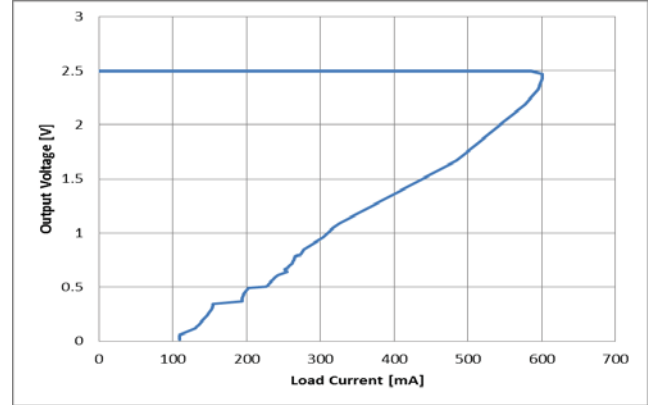


Output Voltage vs. Load Current

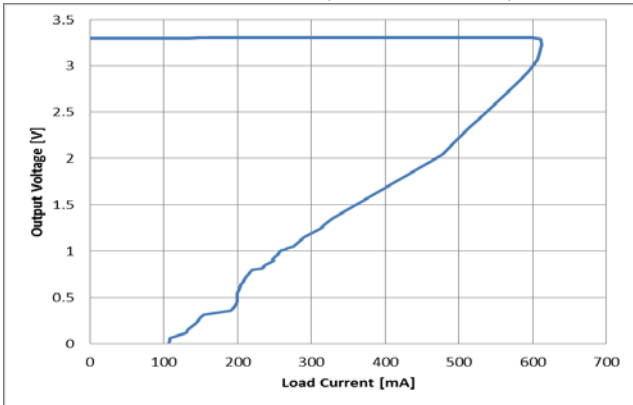
Vout=1.2V Vin=EN=2.2V, Cin=Cout=1uF, Ta=+25°C



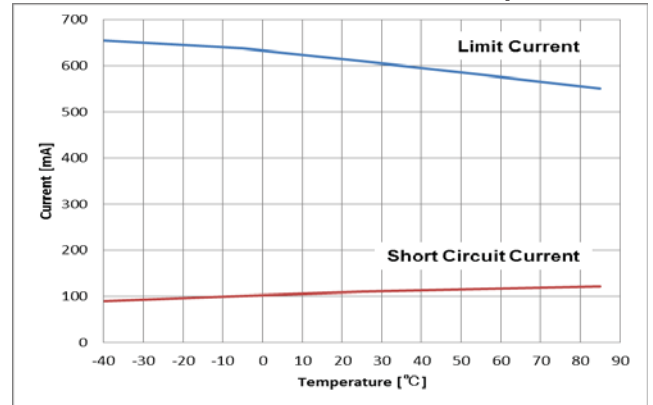
Vout=2.5V Vin=EN=3.5V, Cin=Cout=1uF, Ta=+25°C



Vout=3.3V Vin=EN=4.3V, Cin=Cout=1uF, Ta=+25°C

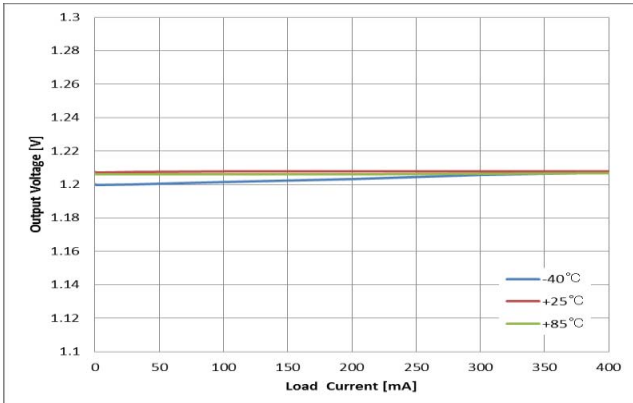


Limit Current, Short Circuit Current vs. Temperature

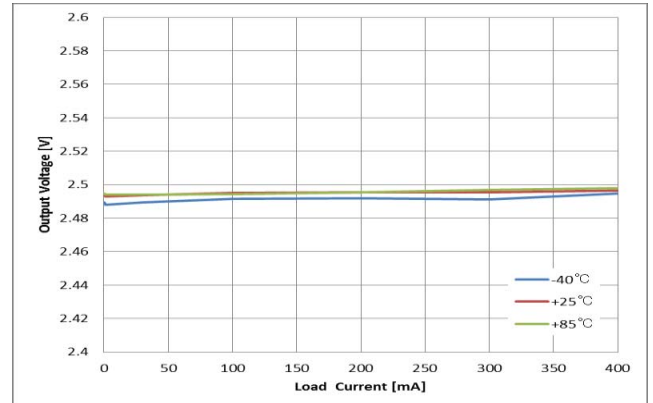


Load Regulation

Vout=1.2V Vin=EN=2.2V, Cin=Cout=1uF



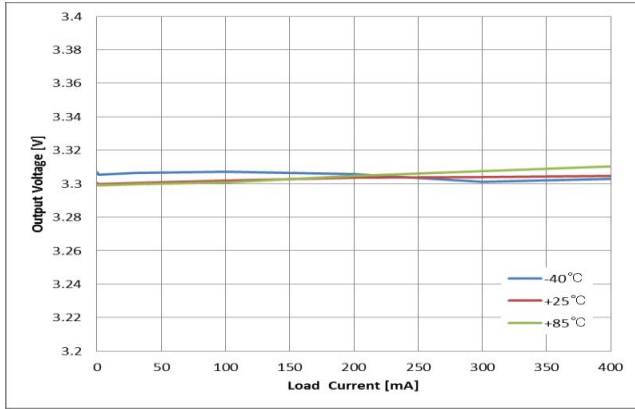
Vout=2.5V Vin=EN=3.5V, Cin=Cout=1uF





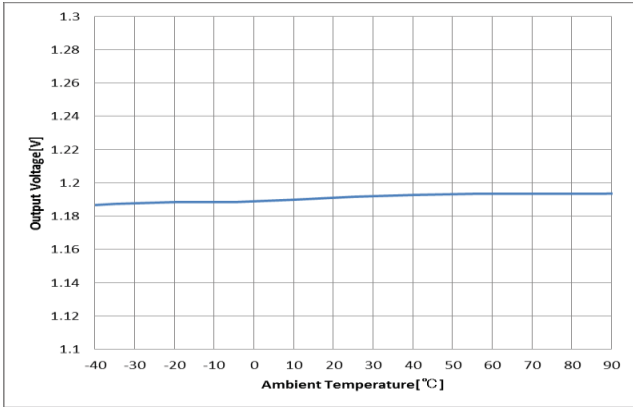
Vout=3.3V

Vin=EN=4.3, Cin=Cout=1uF

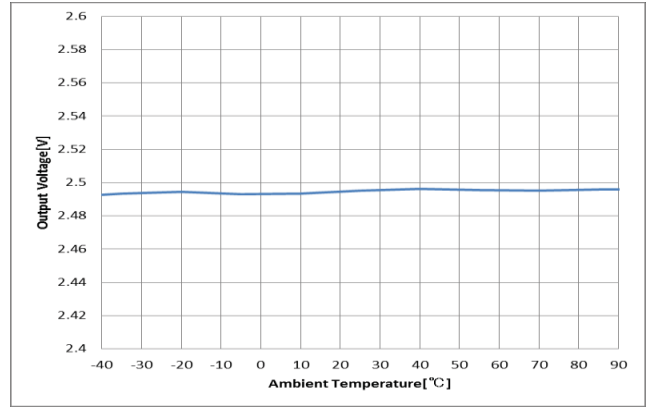


Output Voltage vs. Temperature

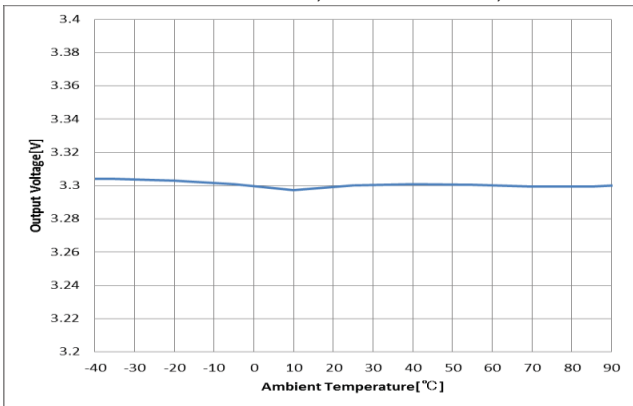
Vout=1.2V Vin=EN=2.2V, Cin=Cout=1uF, Iout=30mA



Vout=2.5V Vin=EN=3.5V, Cin=Cout=1uF, Iout=30mA



Vout=3.3V Vin=EN=4.3V, Cin=Cout=1uF, Iout=30mA

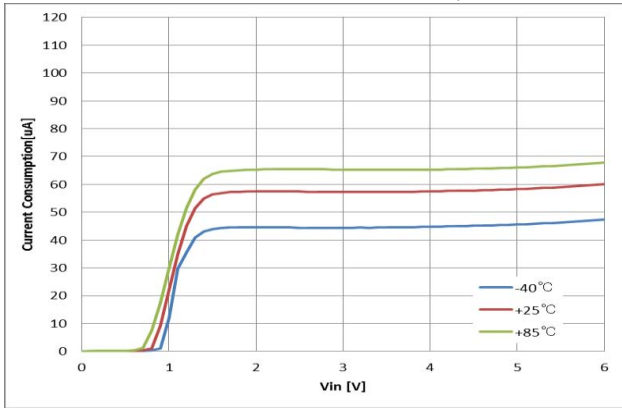




Current Consumption vs. Input Voltage

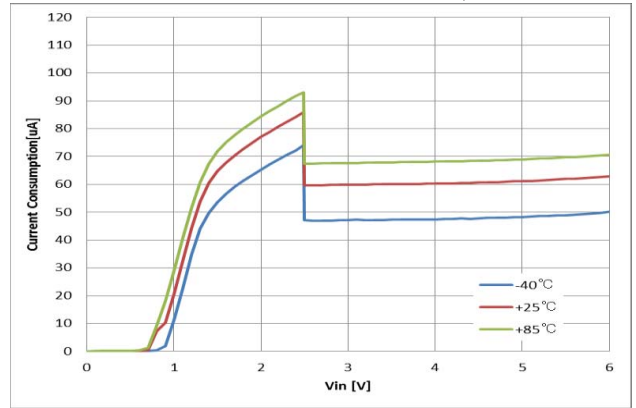
Vout=1.2V

Vin=EN, Cin=Cout=1uF



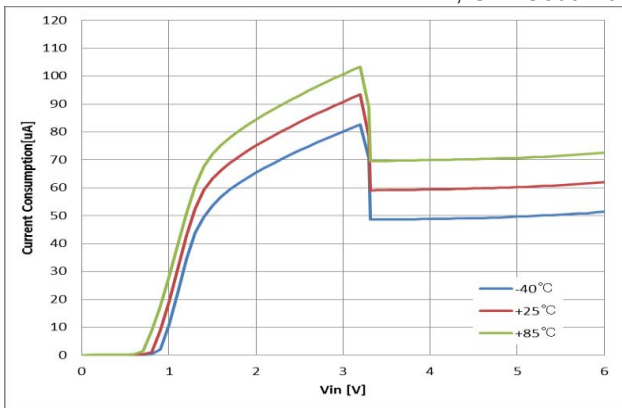
Vout=2.5V

Vin=EN, Cin=Cout=1uF



Vout=3.3V

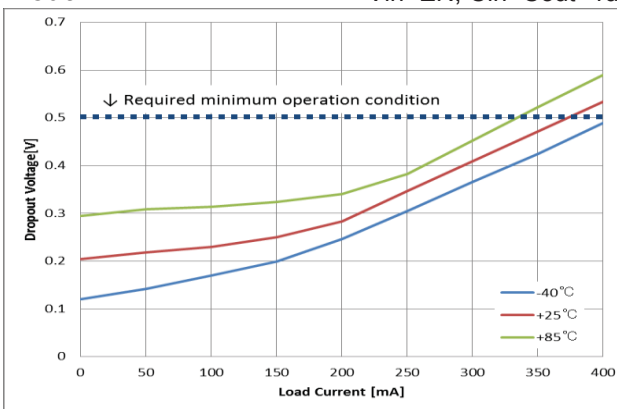
Vin=EN, Cin=Cout=1uF



Dropout Voltage vs. Load Current

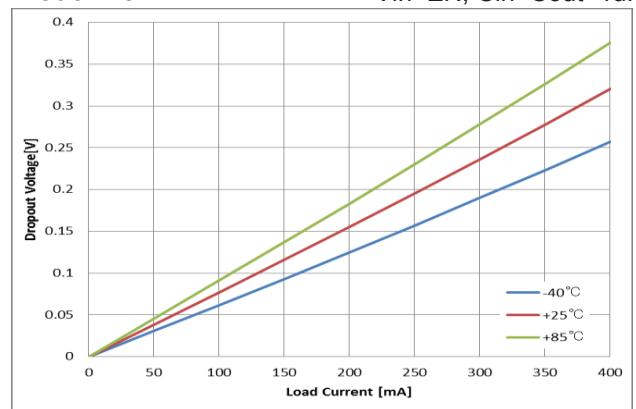
Vout=1.2V

Vin=EN, Cin=Cout=1uF



Vout=2.5V

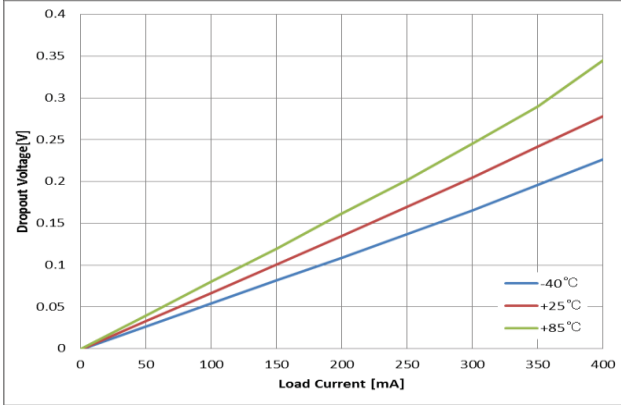
Vin=EN, Cin=Cout=1uF





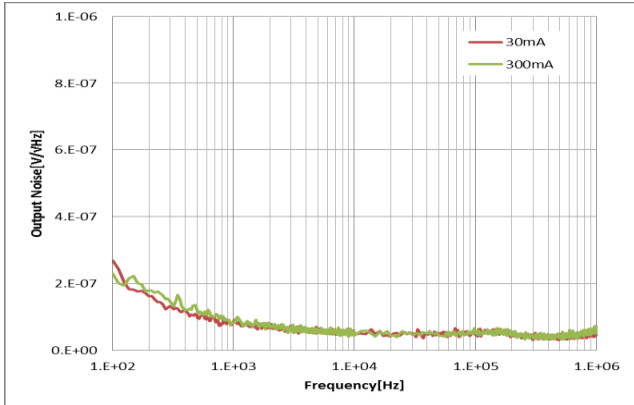
Vout=3.3V

Vin=EN, Cin=Cout=1uF

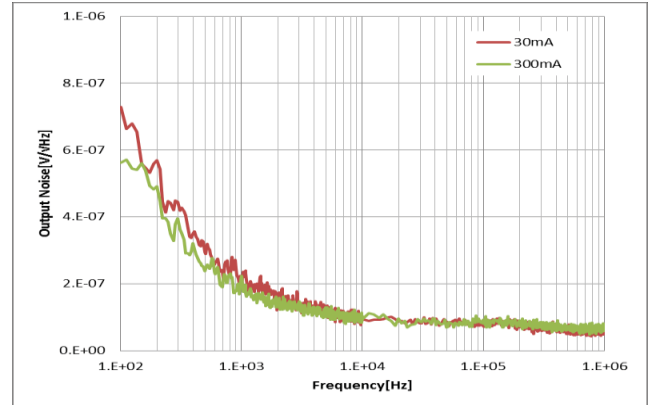


Output Noise vs. Frequency

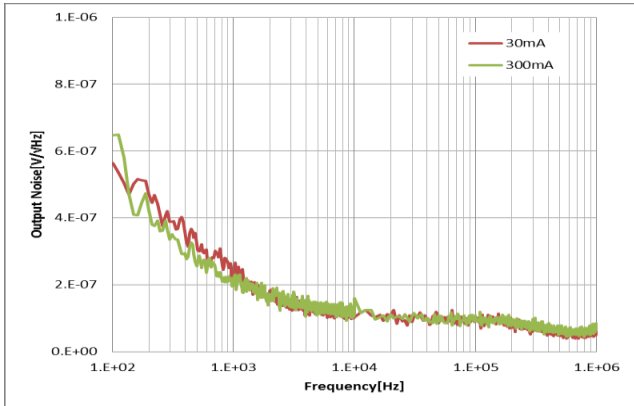
Vout=1.2V Vin=EN=2.2V, Cin=Cout=1uF, Ta=+25°C



Vout=2.5V Vin=EN=3.5V, Cin=Cout=1uF, Ta=+25°C



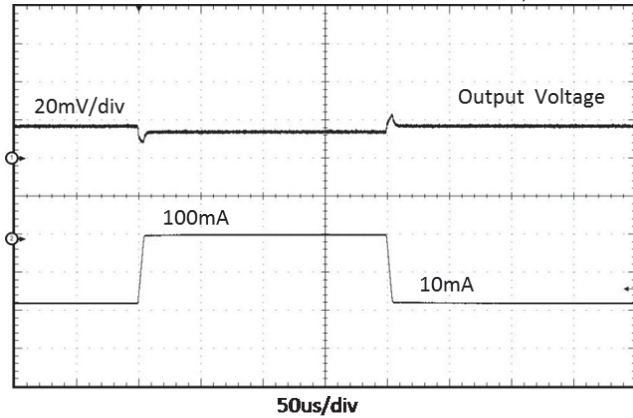
Vout=3.3V Vin=EN=4.3V, Cin=Cout=1uF, Ta=+25°C



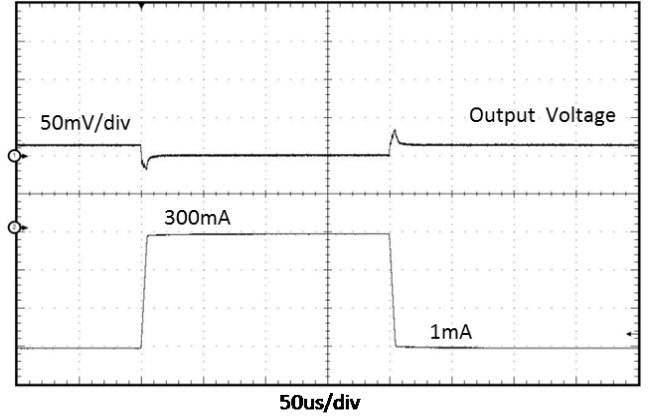


Load Transient Response

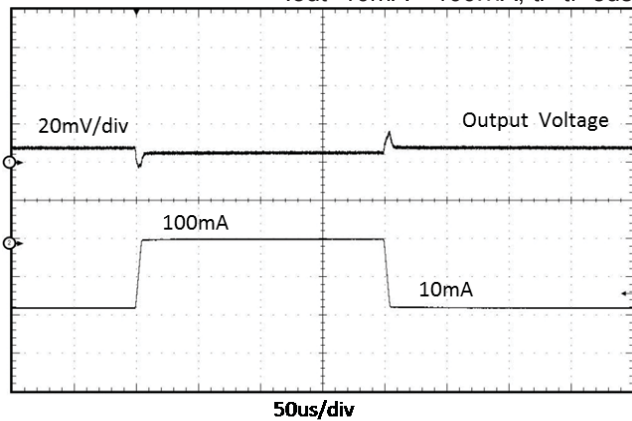
Vout=1.2V Vin=EN=2.2V, Cin=Cout=1uF, Ta=+25°C
Iout=10mA~100mA, tr=tf=5us



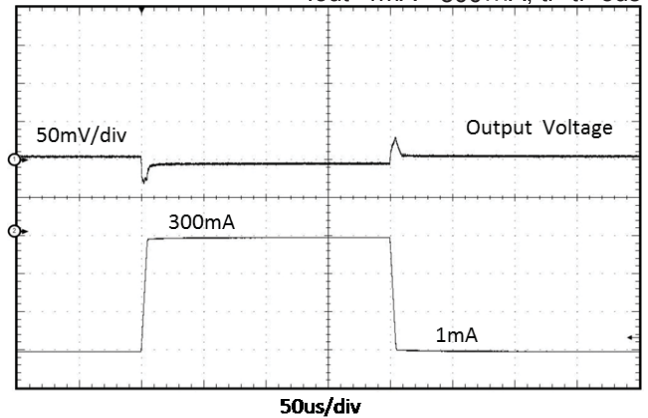
Vout=1.2V Vin=EN=2.2V, Cin=Cout=1uF, Ta=+25°C
Iout=1mA~300mA, tr=tf=5us



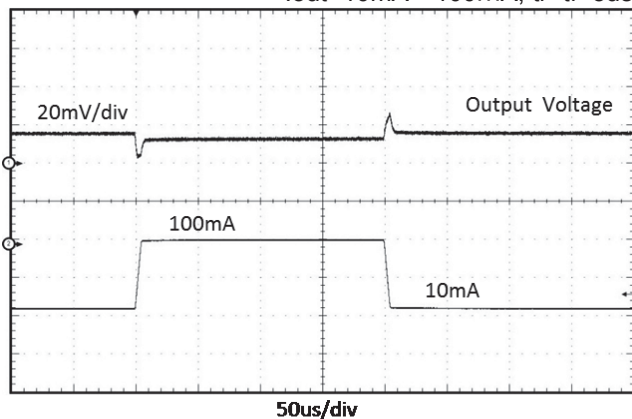
Vout=2.5V Vin=EN=3.5V, Cin=Cout=1uF, Ta=+25°C
Iout=10mA~100mA, tr=tf=5us



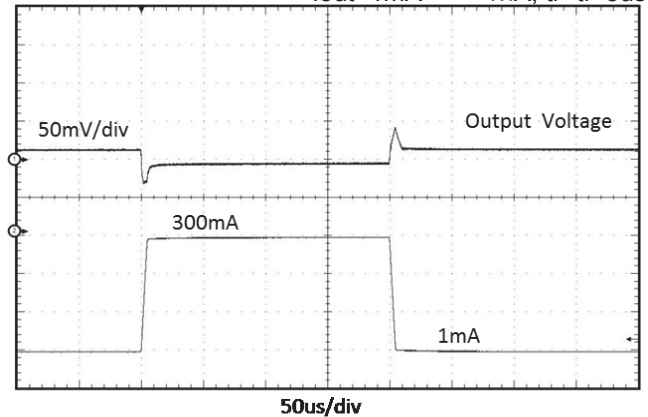
Vout=2.5V Vin=EN=3.5V, Cin=Cout=1uF, Ta=+25°C
Iout=1mA~300mA, tr=tf=5us



Vout=3.3V Vin=EN=4.3V, Cin=Cout=1uF, Ta=+25°C
Iout=10mA~100mA, tr=tf=5us



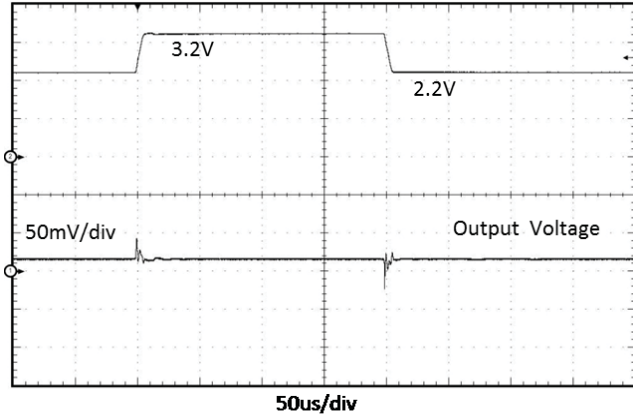
Vout=3.3V Vin=EN=4.3V, Cin=Cout=1uF, Ta=+25°C
Iout=1mA~300mA, tr=tf=5us



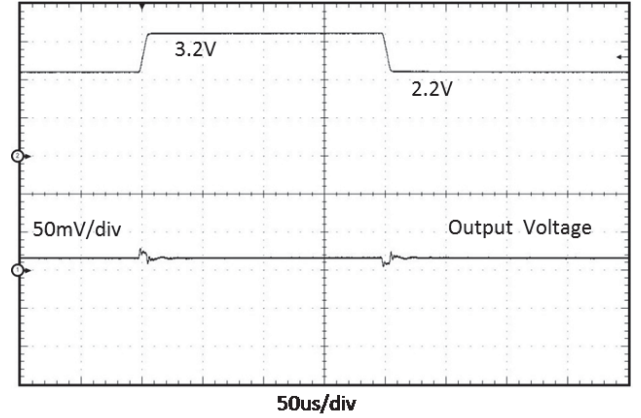


Line Transient Response

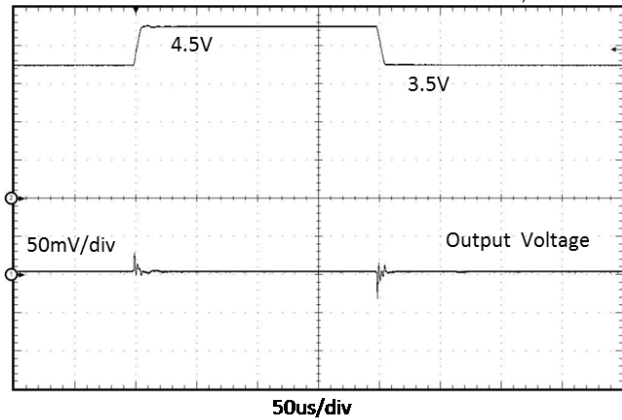
Vout=1.2V $I_{out}=1mA$, $C_{in}=C_{out}=1\mu F$, $T_a=+25^\circ C$
 $V_{in}=EN=2.2V\sim 3.2V$, $t_r=t_f=5\mu s$



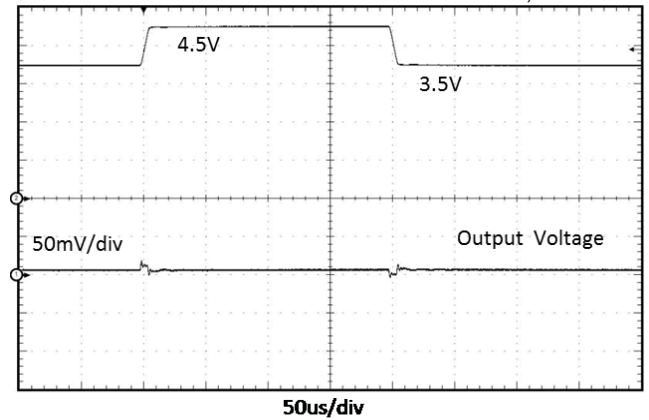
Vout=1.2V $I_{out}=300mA$, $C_{in}=C_{out}=1\mu F$, $T_a=+25^\circ C$
 $V_{in}=EN=2.2V\sim 3.2V$, $t_r=t_f=5\mu s$



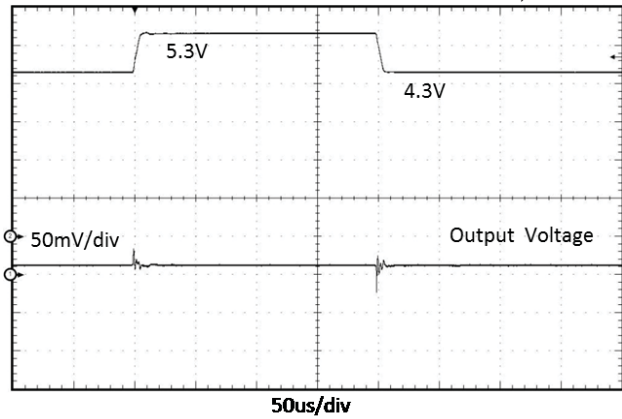
Vout=2.5V $I_{out}=1mA$, $C_{in}=C_{out}=1\mu F$, $T_a=+25^\circ C$
 $V_{in}=EN=3.5V\sim 4.5V$, $t_r=t_f=5\mu s$



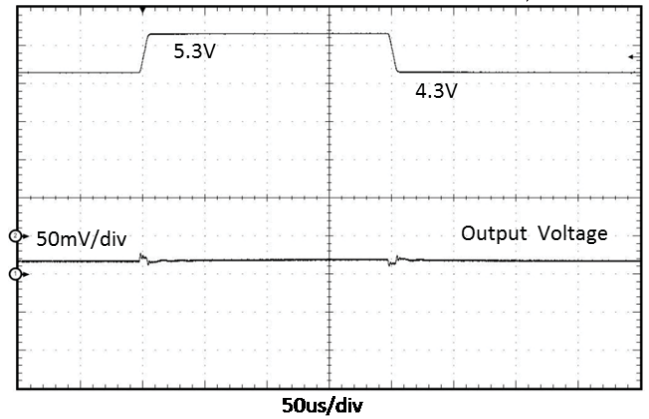
Vout=2.5V $I_{out}=300mA$, $C_{in}=C_{out}=1\mu F$, $T_a=+25^\circ C$
 $V_{in}=EN=3.5V\sim 4.5V$, $t_r=t_f=5\mu s$



Vout=3.3V $I_{out}=1mA$, $C_{in}=C_{out}=1\mu F$, $T_a=+25^\circ C$
 $V_{in}=EN=4.3V\sim 5.3V$, $t_r=t_f=5\mu s$



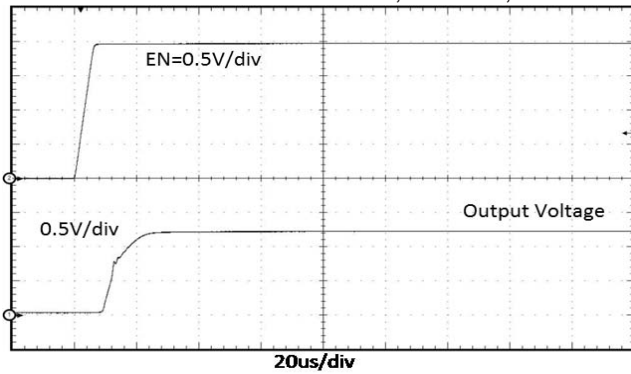
Vout=3.3V $I_{out}=300mA$, $C_{in}=C_{out}=1\mu F$, $T_a=+25^\circ C$
 $V_{in}=EN=4.3V\sim 5.3V$, $t_r=t_f=5\mu s$



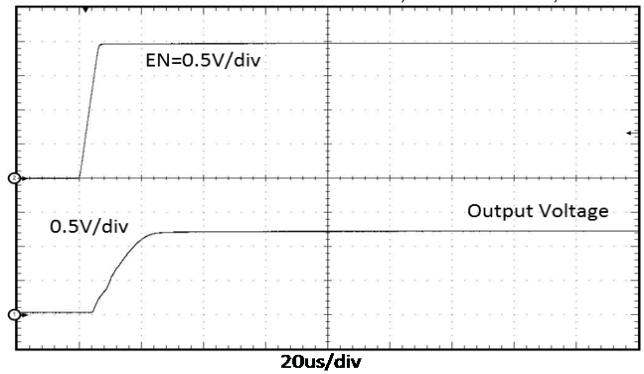


EN Transient Response

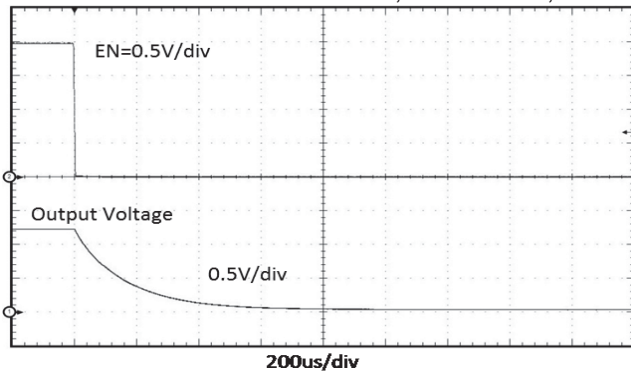
Vout=1.2V Iout=1mA, Cin=Cout=1uF, Ta=+25°C
Vin=2.2V, EN=0V→2V, tr=5us



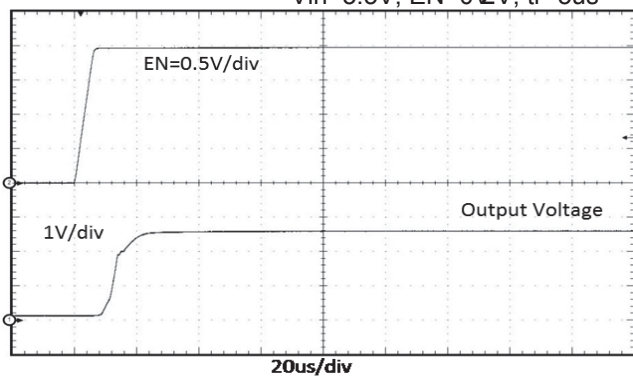
Vout=1.2V Iout=100mA, Cin=Cout=1uF, Ta=+25°C
Vin=2.2V, EN=0V→2V, tr=5us



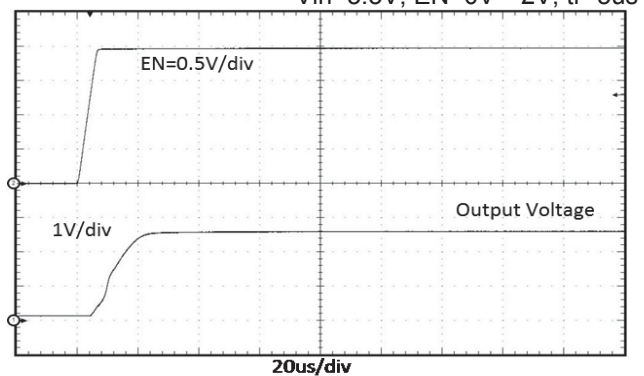
Vout=1.2V Iout=0mA, Cin=Cout=1uF, Ta=+25°C
Vin=2.2V, EN=2V→0V, tr=5us



Vout=2.5V Iout=1mA, Cin=Cout=1uF, Ta=+25°C
Vin=3.5V, EN=0V→2V, tr=5us

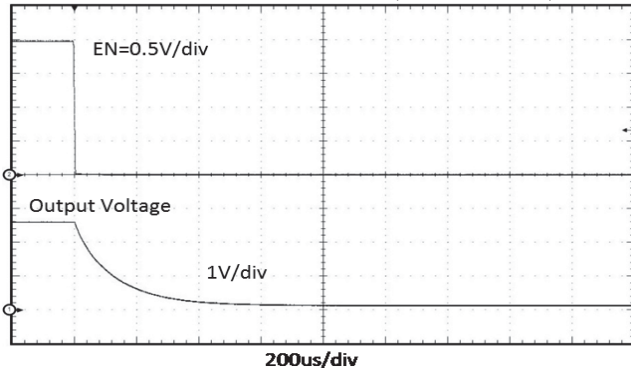


Vout=2.5V Iout=100mA, Cin=Cout=1uF, Ta=+25°C
Vin=3.5V, EN=0V→2V, tr=5us

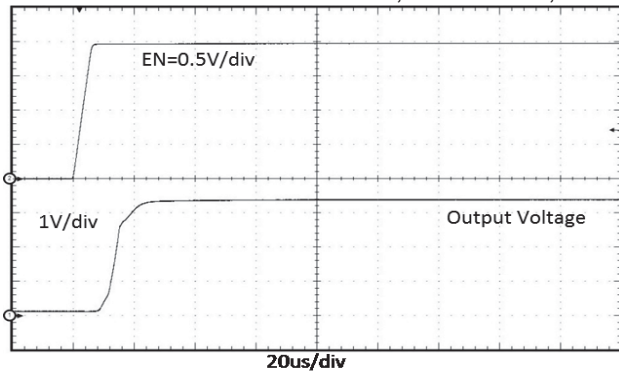




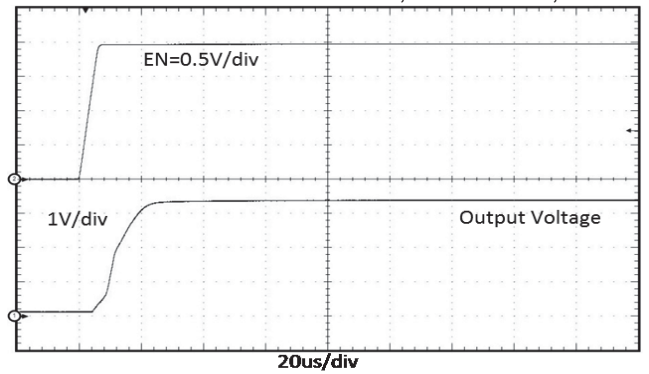
Vout=2.5V $I_{out}=0mA$, $C_{in}=C_{out}=1\mu F$, $T_a=+25^\circ C$
 $V_{in}=3.5V$, $EN=2V \rightarrow 0V$, $t_r=5\mu s$



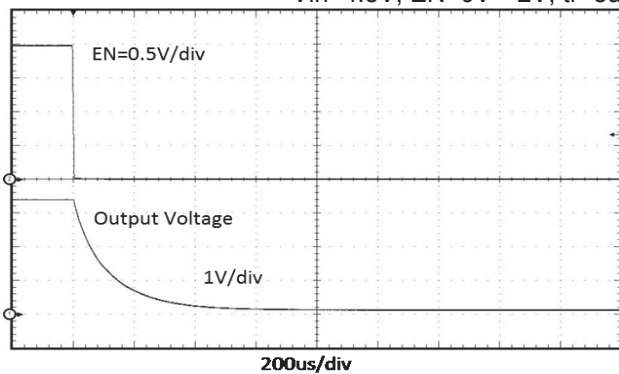
Vout=3.3V $I_{out}=1mA$, $C_{in}=C_{out}=1\mu F$, $T_a=+25^\circ C$
 $V_{in}=4.3V$, $EN=0V \rightarrow 2V$, $t_r=5\mu s$



Vout=3.3V $I_{out}=100mA$, $C_{in}=C_{out}=1\mu F$, $T_a=+25^\circ C$
 $V_{in}=4.3V$, $EN=0V \rightarrow 2V$, $t_r=5\mu s$



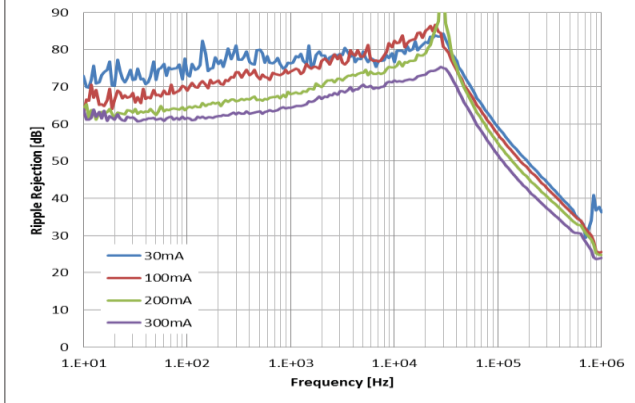
Vout=3.3V $I_{out}=0mA$, $C_{in}=C_{out}=1\mu F$, $T_a=+25^\circ C$
 $V_{in}=4.3V$, $EN=0V \rightarrow 2V$, $t_r=5\mu s$



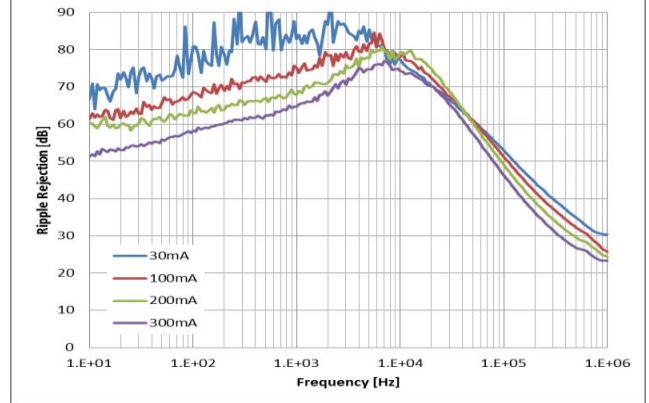


Ripple Rejection vs. Frequency

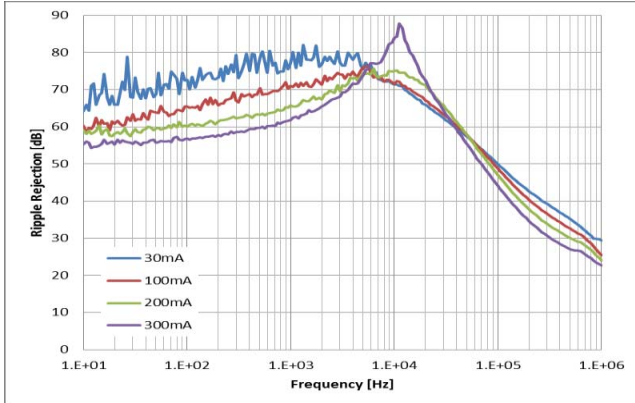
Vout=1.2V Vin=EN=2.2V, Cin=Cout=1uF, Ta=+25°C



Vout=2.5V Vin=EN=3.5V, Cin=Cout=1uF, Ta=+25°C



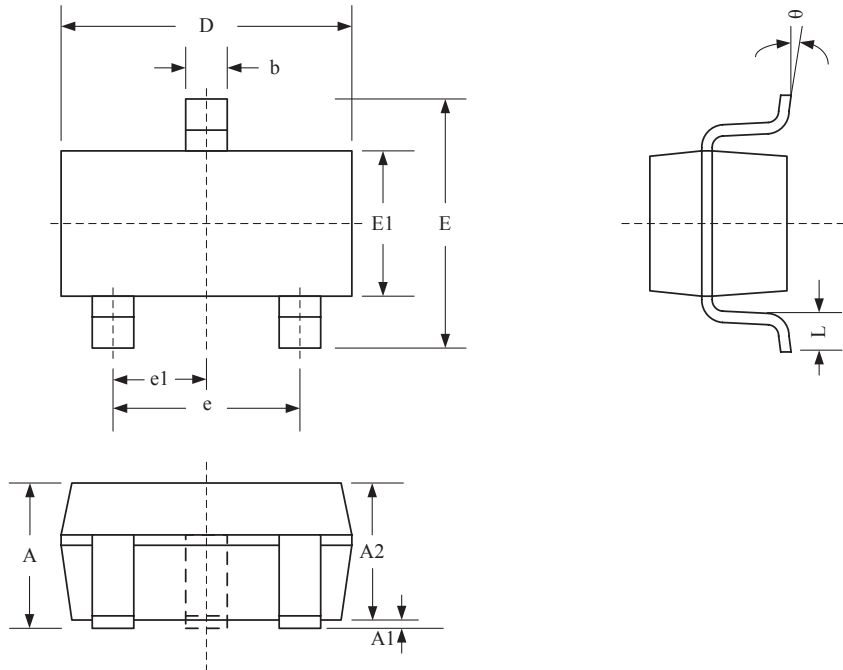
Vout=3.3V Vin=EN=4.3V, Cin=Cout=1uF, Ta=+25°C





PACKAGE DIMENSIONS

SOT23-3L



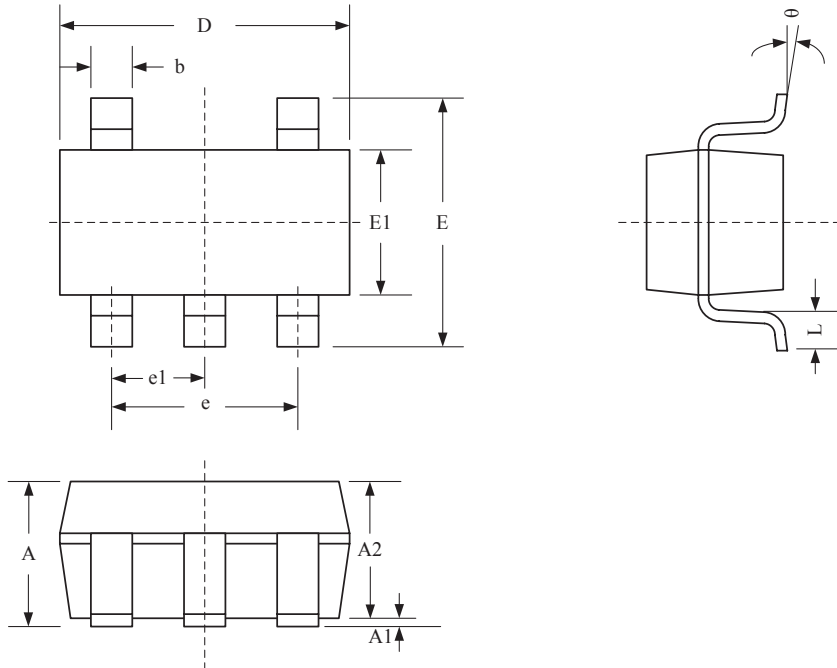
Package Dimensions (Controlling dimensions are in millimeters)

Symbol	Dimensions (mm)			Dimensions (Inches)		
	Minimum	Typical	Maximum	Minimum	Typical	Maximum
A	—	—	1.450	—	—	0.057
A1	0.000	—	0.150	0.000	—	0.006
A2	—	—	1.300	—	—	0.012
b	0.300	—	0.500	0.012	—	0.020
D	2.90 BSC			0.114 BSC		
e1	0.95 BSC			0.037 BSC		
e	1.90 BSC			0.075 BSC		
E	2.80 BSC			0.110 BSC		
E1	1.60 BSC			0.063 BSC		
L	0.300	0.450	0.600	0.012	0.018	0.024
θ	0	4	8	0	4	8



PACKAGE DIMENSIONS

SOT23-5L



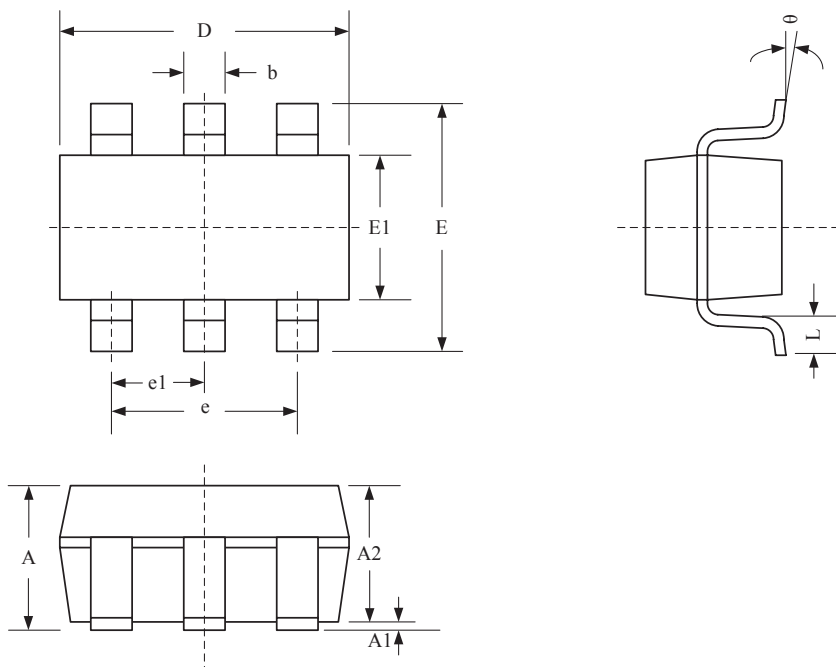
Package Dimensions (Controlling dimensions are in millimeters)

Symbol	Dimensions (mm)			Dimensions (Inches)		
	Minimum	Typical	Maximum	Minimum	Typical	Maximum
A	—	—	1.450	—	—	0.057
A1	0.000	—	0.150	0.000	—	0.006
A2	—	—	1.300	—	—	0.012
b	0.300	—	0.500	0.012	—	0.020
D	2.90 BSC			0.114 BSC		
e1	0.95 BSC			0.037 BSC		
e	1.90 BSC			0.075 BSC		
E	2.80 BSC			0.110 BSC		
E1	1.60 BSC			0.063 BSC		
L	0.300	0.450	0.600	0.012	0.018	0.024
θ	0	4	8	0	4	8



PACKAGE DIMENSIONS

SOT23-6L



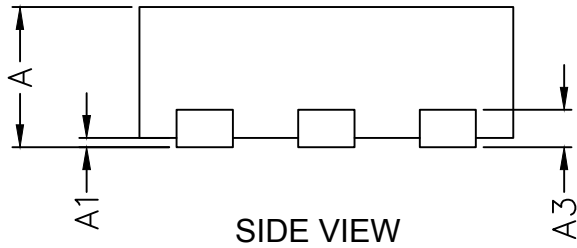
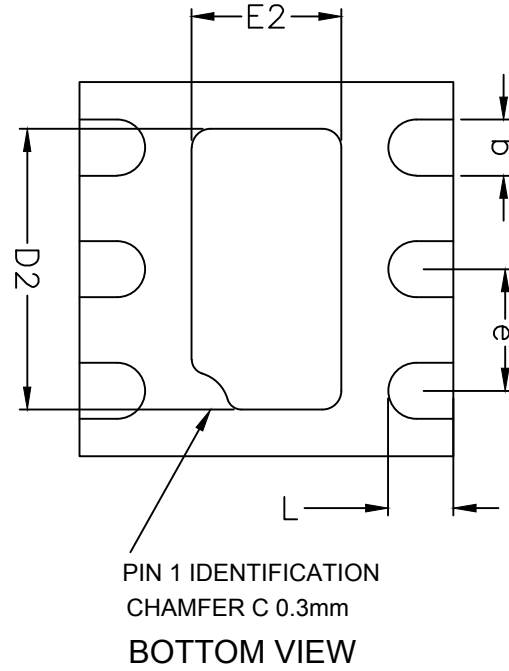
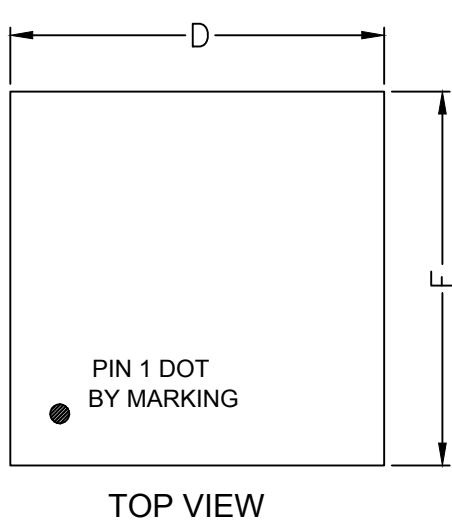
Package Dimensions (Controlling dimensions are in millimeters)

Symbol	Dimensions (mm)			Dimensions (Inches)		
	Minimum	Typical	Maximum	Minimum	Typical	Maximum
A	—	—	1.450	—	—	0.057
A1	0.000	—	0.150	0.000	—	0.006
A2	—	—	1.300	—	—	0.012
b	0.300	—	0.500	0.012	—	0.020
D	2.90 BSC			0.114 BSC		
e1	0.95 BSC			0.037 BSC		
e	1.90 BSC			0.075 BSC		
E	2.80 BSC			0.110 BSC		
E1	1.60 BSC			0.063 BSC		
L	0.300	0.450	0.600	0.012	0.018	0.024
θ	0	4	8	0	4	8



PACKAGE DIMENSIONS

DFN 2X2-6L



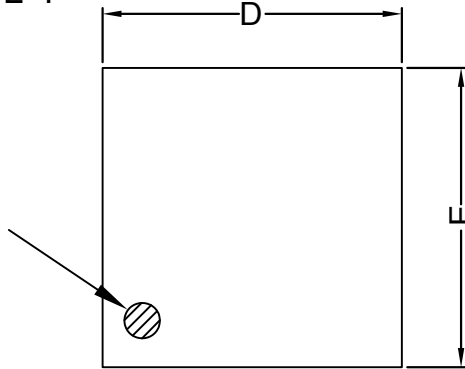
COMMON DIMENSIONS(MM)			
PKG	X1:EXTREME THIN		
REF	MIN	NOM	MAX
A	0.7	0.75	0.8
A1		-	0.05
A3	0.2REF		
D	1.95	2.00	2.05
E	1.95	2.00	2.05
b	0.25	0.3	0.35
L	0.25	0.35	0.45
D2	1.35	1.5	1.6
E2	0.65	0.8	0.9
e	0.65 BSC		



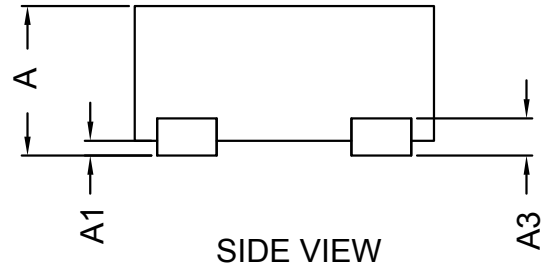
PACKAGE DIMENSIONS

DFN 1X1-4L

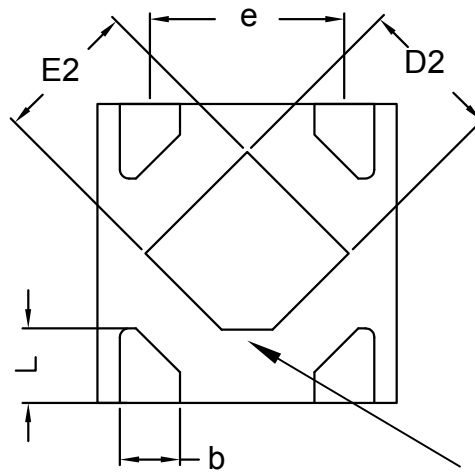
MSL-1



TOP VIEW



SIDE VIEW



BOTTOM VIEW

PIN #1 IDENTIFICATION CHAFMER 0.12MM

COMMON DIMENSIONS(MM)			
PKG	X1:EXTREME THIN		
REF	MIN	NOM	MAX
A	0.4	—	0.5
A1		—	0.05
A3	0.125REF		
D	0.95	1.00	1.05
E	0.95	1.00	1.05
b	0.15	0.2	0.25
L	0.15	0.25	0.35
D2	0.38	0.48	0.58
E2	0.38	0.48	0.58
e	0.65 BSC		

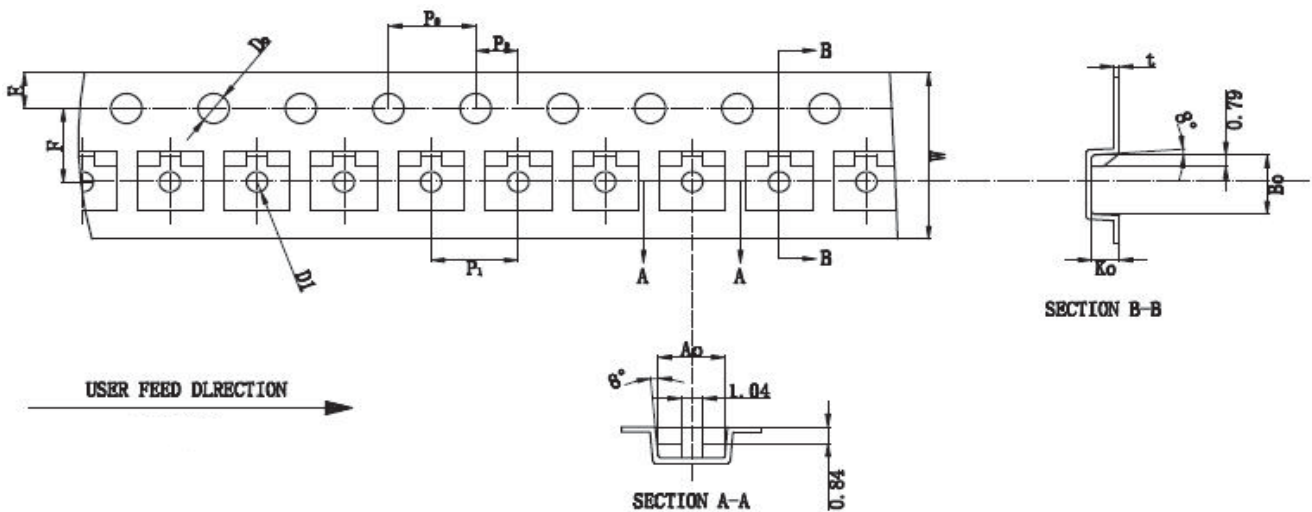


Carrier Dimensions

SOT23-3L

PKG TYPE	W	P	E	F	D	D1	Po
SOT-23	8.00	4.00	1.75	3.50	1.50	1.00	4.00
Tolerance	+0.3/-0.1	±0.1	±0.1	±0.1	±0.1	±0.1	±0.1

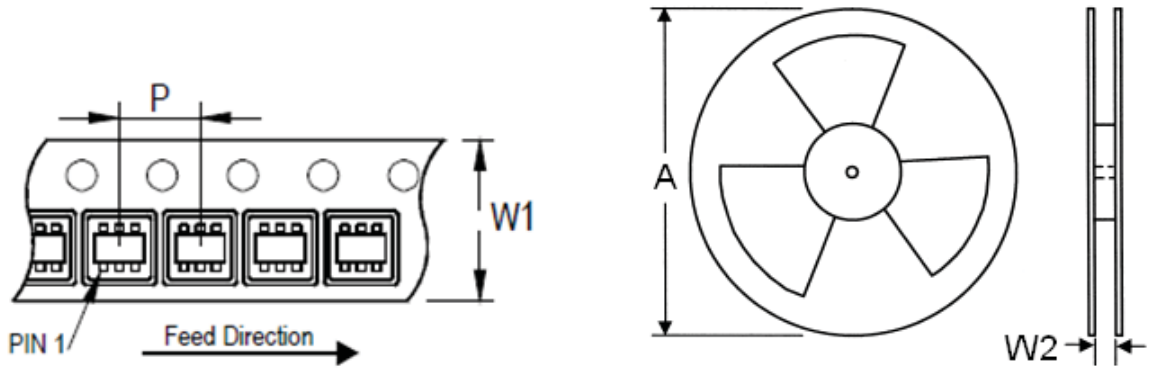
Po10	P2	A0	B0	K0	T
40.00	2.00	3.15	2.77	1.22	0.20
±0.2	±0.05	±0.1	±0.1	±0.1	±0.02





Carrier Dimensions

SOT23-5/6L



Tape Size (W1) mm	Pocket Pitch (P) mm	Reel Size (A)		Reel Width (W2) mm	Empty Cavity Length mm	Units per Reel
		in	mm			
8	4	7	180	8.4	300~1000	3,000

X-ON Electronics

Largest Supplier of Electrical and Electronic Components

Click to view similar products for [Linear Voltage Regulators](#) category:

Click to view products by [Shenzhen JingYang](#) manufacturer:

Other Similar products are found below :

[LV5684PVD-XH](#) [MCDTSA6-2R](#) [L7815ACV-DG](#) [714954EB](#) [ZMR500QFTA](#) [BA033LBSG2-TR](#) [LV5680P-E](#) [L79M05T-E](#) [L78LR05D-MA-E](#) [NCV317MBTG](#) [NTE7227](#) [MP2018GZD-33-P](#) [MP2018GZD-5-P](#) [LV5680NPVC-XH](#) [LT1054CN8](#) [ZTS6538SE](#) [UA78L09CLP](#) [UA78L09CLPR](#) [CAT6221-PPTD-GT3](#) [MC78M09CDTRK](#) [NCV51190MNTAG](#) [78M05](#) [HT7150-1](#) [UM1540DB-18](#) [XC6234H281VR-G](#) [WL2834CA-6/TR](#) [TPL730F33-5TR](#) [TLS850F1TA](#) [V50](#) [TPS549B22RVFR](#) [UM1540DB-33](#) [WL9200P3-50B](#) [WL9100P3-33B](#) [WL9005D4-33](#) [XC6219B152MR](#) [WL2855K33-3/TR](#) [PJ54BM33SE](#) [PJ9500M25SA](#) [MD7218E33PC1](#) [H7533-2PR](#) [SK7812AU](#) [SD1A30](#) [78L33](#) [TP78L33T3](#) [L78L33ACUTR](#) [SK6513ST3A-50](#) [SK6054D4-09](#) [SK6054D4-18](#) [SK6054D4-11](#) [SK6054D4-10](#) [LM79L12F](#)