



N-Channel Enhancement Mode Power MOSFET

● Features

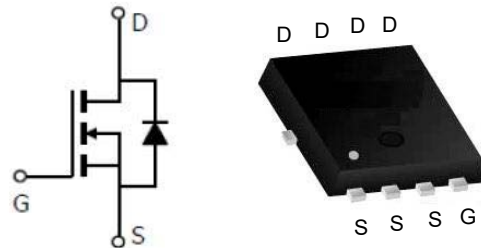
$V_{DS} = 30V$
 $I_D = 28A$
 $R_{DS(ON)} \leq 18m\Omega (V_{GS} = 10V)$

● General Description

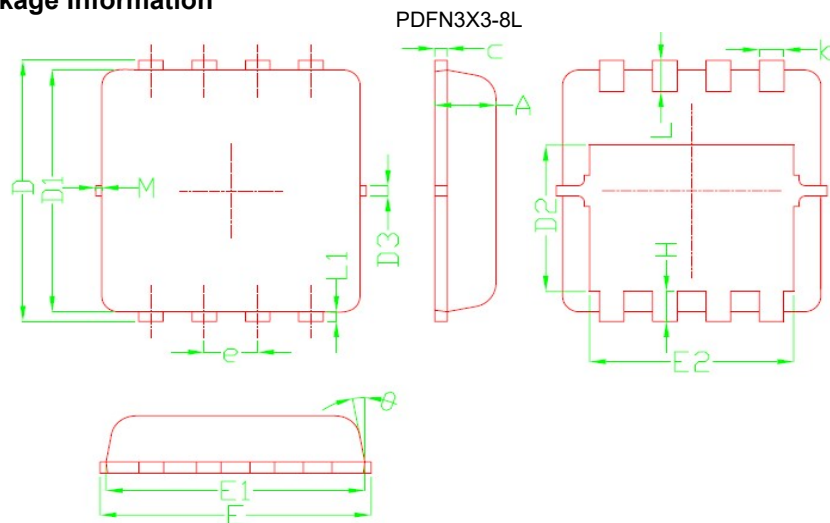
The TNM2030N3X is the high cell density trench N-ch MOSFETs, which provide excellent $R_{DS(ON)}$ and gate charge for most of the synchronous buck converter applications.

The TNM2030N3X meet the RoHS and Green Product requirement, 100% EAS guaranteed with full function reliability approved.

● Pin Configurations



● Package Information



SYMBOLS	MILLIMETERS		INCHES	
	MIN	MAX	MIN	MAX
A	0.70	0.85	0.027	0.034
b	0.20	0.40	0.007	0.016
c	0.10	0.25	0.004	0.010
D	3.15	3.45	0.124	0.136
D1	2.90	3.20	0.114	0.126
D2	1.54	1.98	0.060	0.080
D3	0.10	0.30	0.004	0.012
E	3.15	3.45	0.124	0.136
E1	3.00	3.25	0.118	0.128
E2	2.29	2.65	0.090	0.104
e	0.65 BSC		0.025 BSC	
H	0.28	0.65	0.011	0.026
Θ	0°	14°	0°	14°
L	0.30	0.50	0.012	0.020
L1	0.13		0.005	
M	---	0.15	---	0.006



N-Channel Enhancement Mode Power MOSFET

● Absolute Maximum Ratings (@TA=25°C unless otherwise noted)

Parameter	Symbol	Ratings	Unit
Drain-Source Voltage	V_{DSS}	30	V
Gate Source Voltage	V_{GSS}	±20	V
Drain Current (Continuous) *AC	I_D	TA=25°C	28
		TA=100°C	18
Drain Current (Pulse) *B	I_{DM}	55	A
Power Dissipation	P_D	20	W
Operating Temperature/ Storage Temperature	T_J/T_{STG}	-55~150	°C
Single Pulse Avalanche Energy	E_{AS}	22.1	mJ
Avalanche Current	I_{AS}	21	A

● Thermal Characteristics

Parameter	Symbol	Ratings	Unit
Thermal Resistance ,Junction-to-Ambient	$R_{\theta JA}$	75	°C/W
Thermal resistance, junction-case max	$R_{\theta JC}$	6	°C/W

● Electrical Characteristics (@TA=25°C unless otherwise noted)

Parameter	Symbol	Test Conditions	Min	Typ	Max	Unit
Drain-Source Breakdown Voltage	$V_{(BR)DSS}$	$V_{GS}=0V, I_D=250\mu A$	30	--	--	V
Zero Gate Voltage Drain Current	I_{DSS}	$V_{DS}=24V, V_{GS}=0V$	--	--	1	μA
Gate Threshold Voltage	$V_{GS(TH)}$	$V_{DS}=V_{GS}, I_{DS}=250\mu A$	1.0	--	2.5	V
Gate Leakage Current	I_{GSS}	$V_{GS}=\pm 20V, V_{DS}=0V$	--	--	±100	nA
Drain-Source On-state Resistance	$R_{DS(on)}$	$V_{GS}=10V, I_D=10A$	--	--	18	m Ω
		$V_{GS}=4.5V, I_D=5A$	--	--	30	m Ω
Forward Transconductance	g_{fs}	$I_{SD}=1A, V_{DS}=5V$	--	4.5	--	S
Total Gate Charge	Q_g	$V_{GS}=4.5V, V_{DS}=20V, I_D=10A$	--	7.2	--	nC
Gate- Source Charge	Q_{gs}		--	1.4	--	nC
Gate- Drain Charge	Q_{gd}		--	2.2	--	nC
Turn-on Delay Time	$t_{d(on)}$		--	4.1	--	ns
Turn-on Rise Time	t_r	$V_{GS}=10V, V_{DD}=12V, I_D=5A, R_{GEN}=3.3\Omega$	--	9.8	--	ns
Turn-off Delay Time	$t_{d(off)}$		--	15.5	--	ns
Turn-off Fall Time	t_f		--	6.0	--	ns
Input Capacitance	C_{iss}		--	572	--	pF
Output Capacitance	C_{oss}	$V_{GS}=0V, V_{DS}=15V, f=1MHz$	--	81	--	pF
Reverse Transfer Capacitance	C_{rss}		--	65	--	pF



NChannel Enhancement Mode Power MOSFET

- **Reverse Diode Characteristics (@TA=25°C unless otherwise noted)**

Parameter	Symbol	Test Conditions	Min	Typ	Max	Unit
Continuous Diode Forward Current	I _S	V _G =V _D =0V , Force Current	--	--	28	A
Diode Forward Voltage	V _{SD}	I _{SD} =1A, V _{GS} =0V	--	--	1.2	V

A: The value of R_{θJA} is measured with the device mounted on 1in2 FR-4 board with 2oz. Copper, in a still air environment with TA=25C. The value in any given application depends on the user's specific board design.

B: Repetitive rating, pulse width limited by junction temperature .

C: The current rating is based on the t< 10s junction to ambient thermal resistance rating.



N-Channel Enhancement Mode Power MOSFET

● TYPICAL ELECTRICAL AND THERMAL CHARACTERISTICS

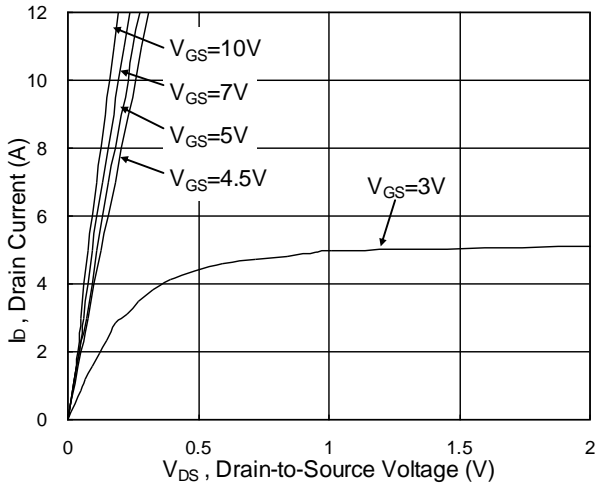


Fig.1 Typical Output Characteristics

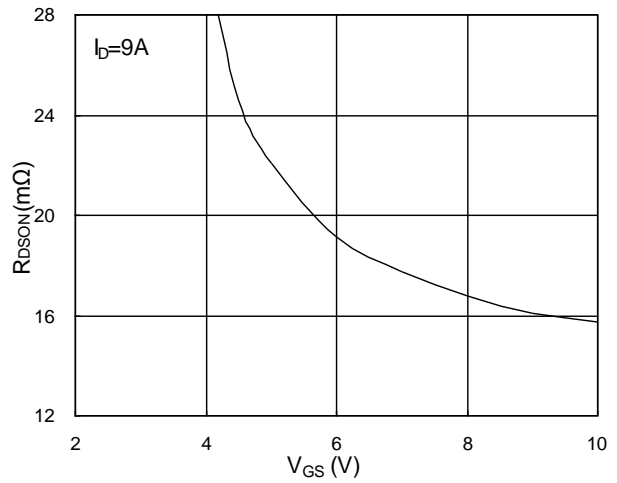


Fig.2 On-Resistance vs. Gate-Source

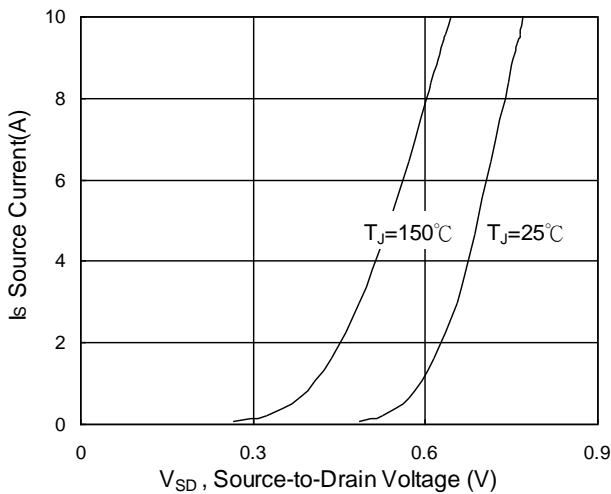


Fig.3 Forward Characteristics Of Reverse

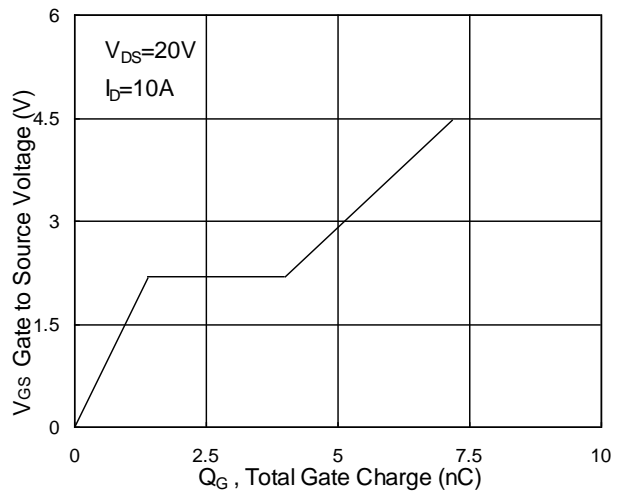


Fig.4 Gate-Charge Characteristics

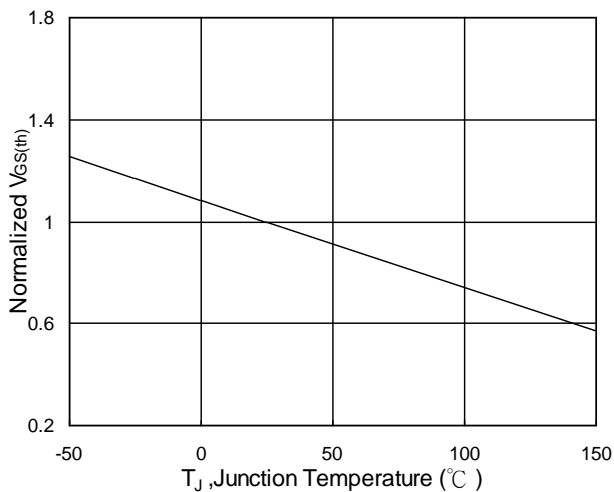


Fig.5 Normalized $V_{GS(th)}$ vs. T_J

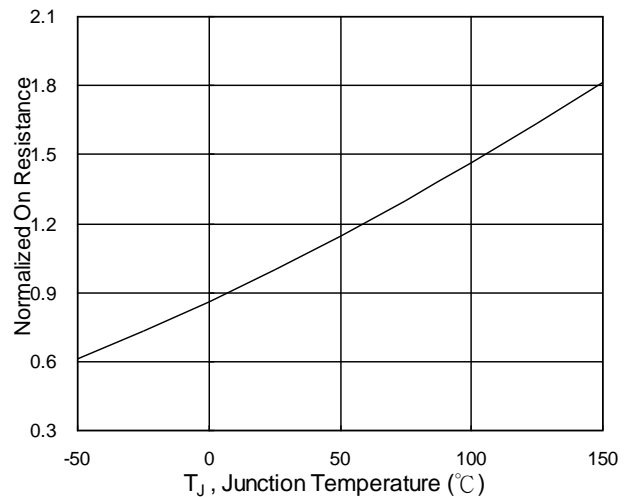


Fig.6 Normalized $R_{DS(on)}$ vs. T_J



N-Channel Enhancement Mode Power MOSFET

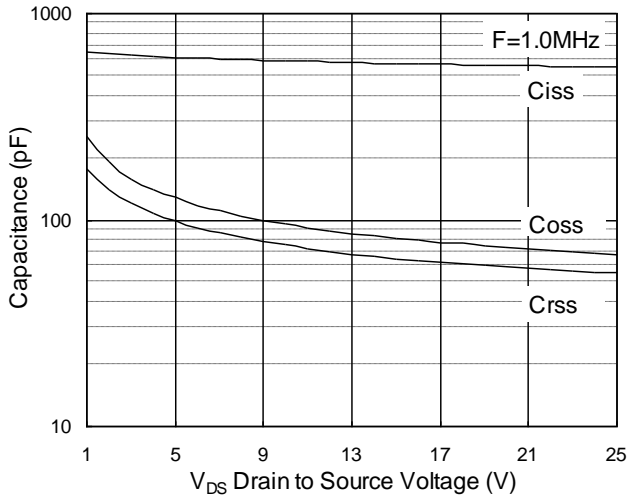


Fig.7 Capacitance

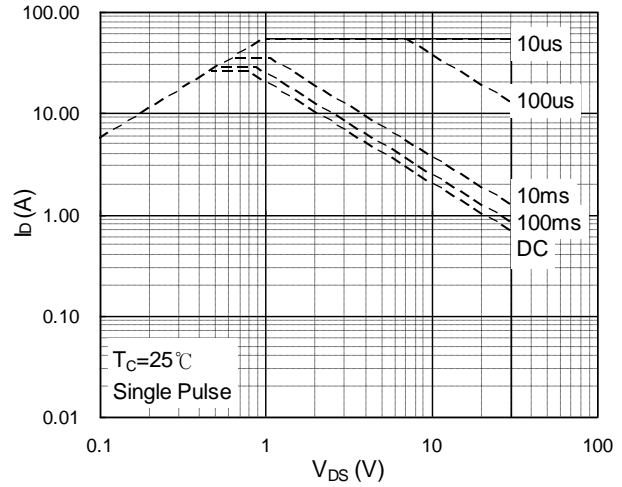


Fig.8 Safe Operating Area

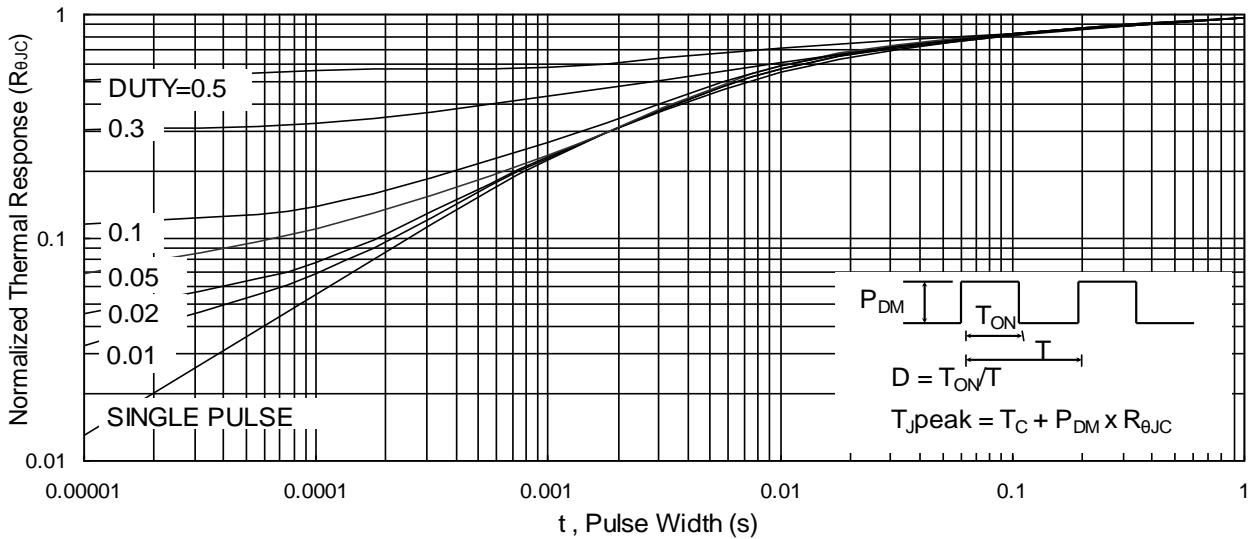


Fig.9 Normalized Maximum Transient Thermal Impedance

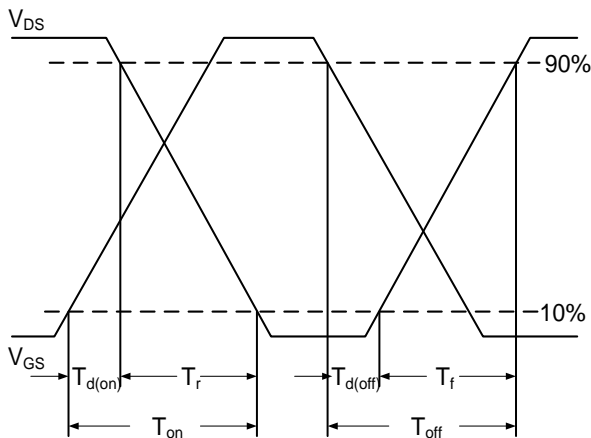


Fig.10 Switching Time Waveform

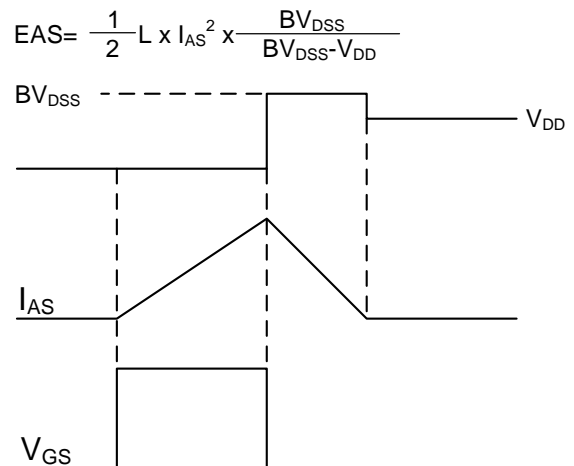


Fig.11 Unclamped Inductive Waveform

X-ON Electronics

Largest Supplier of Electrical and Electronic Components

Click to view similar products for [MOSFET](#) category:

Click to view products by [Shenzhen JingYang](#) manufacturer:

Other Similar products are found below :

[IRFD120](#) [JANTX2N5237](#) [BUK455-60A/B](#) [MIC4420CM-TR](#) [VN1206L](#) [NDP4060](#) [SI4482DY](#) [IPS70R2K0CEAKMA1](#) [SQD23N06-31L-GE3](#)
[TK16J60W,S1VQ\(O](#) [2SK2614\(TE16L1,Q\)](#) [DMN1017UCP3-7](#) [DMN1053UCP4-7](#) [SQJ469EP-T1-GE3](#) [NTE2384](#) [DMC2700UDMQ-7](#)
[DMN2080UCB4-7](#) [DMN61D9UWQ-13](#) [US6M2GTR](#) [DMN31D5UDJ-7](#) [DMP22D4UFO-7B](#) [DMN1006UCA6-7](#) [DMN16M9UCA6-7](#)
[STF5N65M6](#) [IRF40H233XTMA1](#) [STU5N65M6](#) [DMN6022SSD-13](#) [DMN13M9UCA6-7](#) [DMTH10H4M6SPS-13](#) [DMN2990UFB-7B](#)
[IPB80P04P405ATMA2](#) [2N7002W-G](#) [MCAC30N06Y-TP](#) [MCQ7328-TP](#) [NTMC083NP10M5L](#) [BXP7N65D](#) [BXP4N65F](#) [AOL1454G](#)
[WMJ80N60C4](#) [BXP2N20L](#) [BXP2N65D](#) [BXT1150N10J](#) [BXT1700P06M](#) [TSM60NB380CP](#) [ROG](#) [RQ7L055BGTGR](#) [DMNH15H110SK3-13](#)
[SLF10N65ABV2](#) [BSO203SP](#) [BSO211P](#) [IPA60R230P6](#)