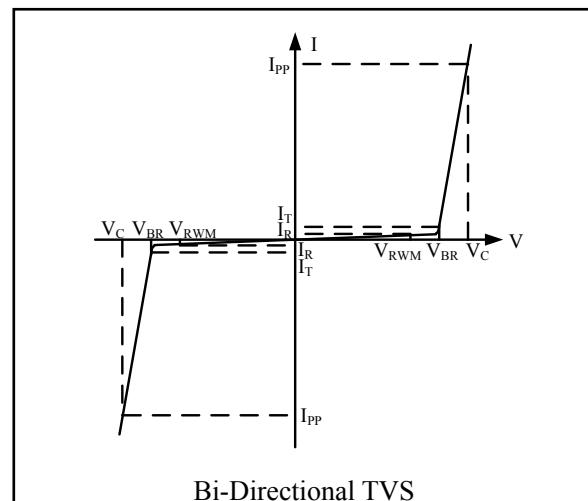


Absolute Maximum Rating

| Symbol | Parameter | Value | Units |
|-----------|-----------------------------------|-------------|--------------|
| I_{PP} | Peak Pulse Current (8/20 μ s) | 18 | A |
| P_{PK} | Peak Pulse Power (8/20 μ s) | 280 | Watts |
| V_{ESD} | ESD per IEC 61000-4-2 (Air) | ± 30 | kV |
| | ESD per IEC 61000-4-2 (Contact) | ± 30 | |
| T_{OPT} | Operating Temperature | -55 to +150 | $^{\circ}$ C |
| T_{STG} | Storage Temperature | -55 to +150 | $^{\circ}$ C |

Electrical Characteristics (T = 25 $^{\circ}$ C)

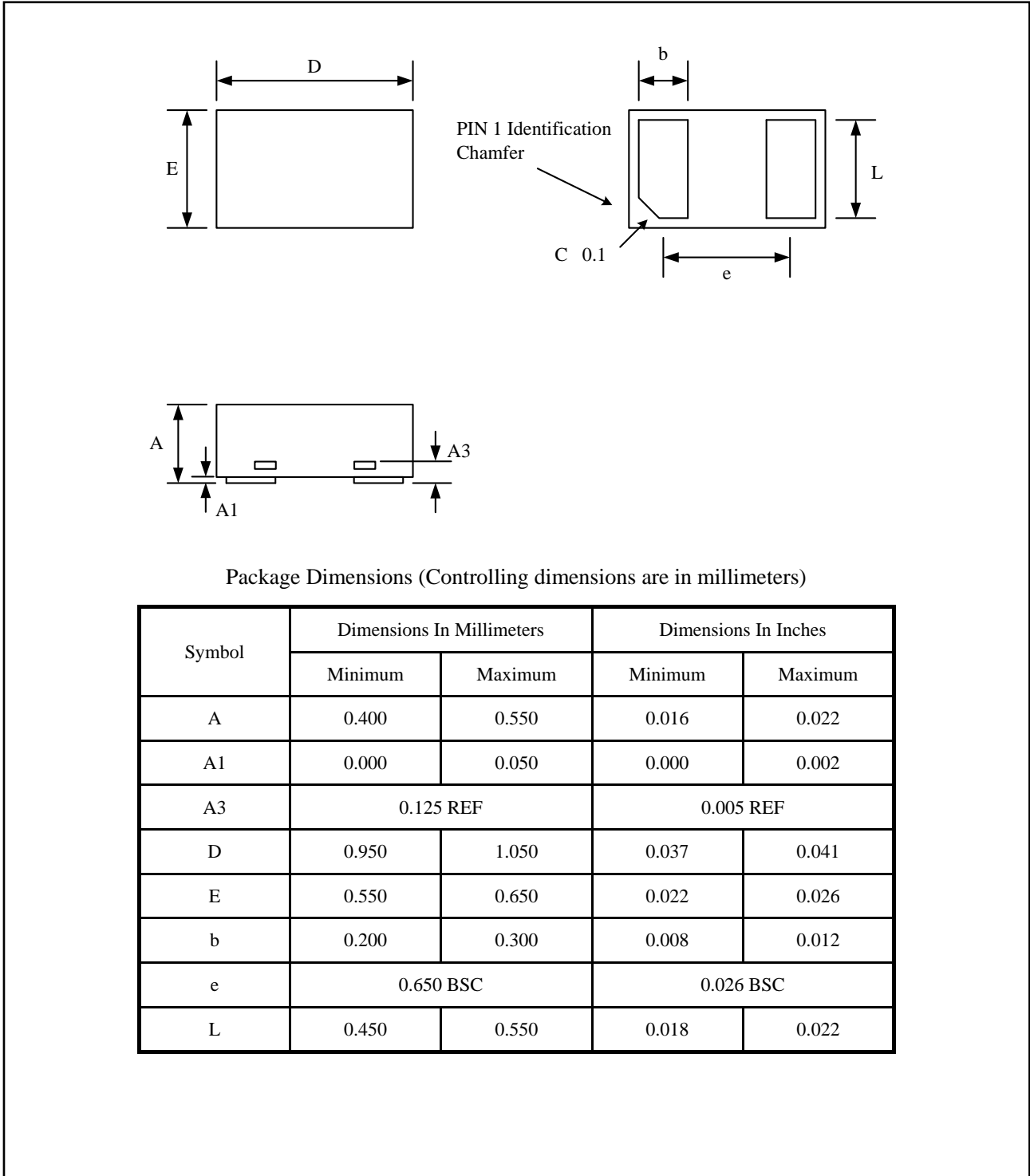
| Symbol | Parameter |
|-----------|-------------------------------------|
| V_{RWM} | Nominal Reverse Working Voltage |
| I_R | Reverse Leakage Current @ V_{RWM} |
| V_{BR} | Reverse Breakdown Voltage @ I_T |
| I_T | Test Current for Reverse Breakdown |
| V_C | Clamping Voltage @ I_{PP} |
| I_{PP} | Maximum Peak Pulse Current |
| C_{ESD} | Parasitic Capacitance |
| V_R | Reverse Voltage |
| f | Small Signal Frequency |



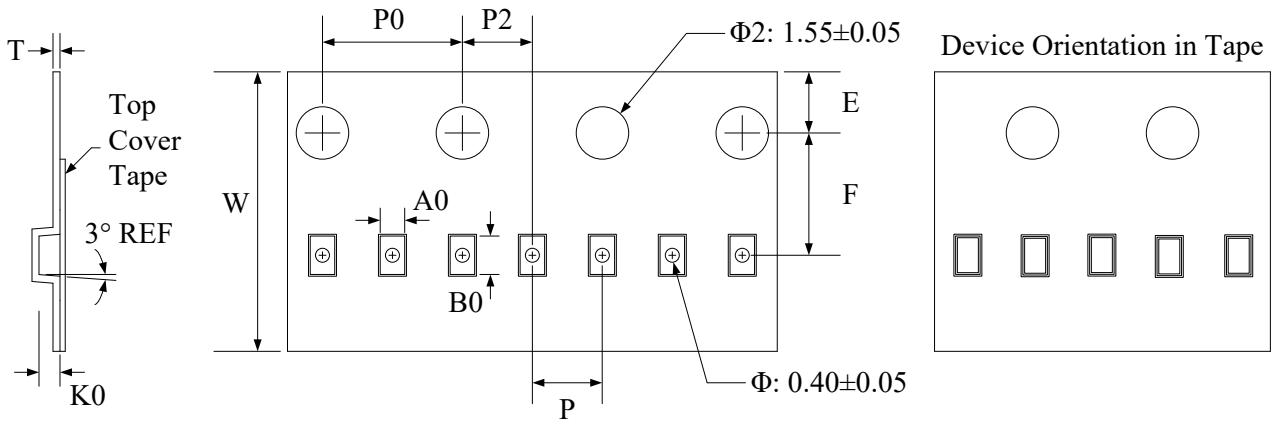
| Symbol | Test Condition | Minimum | Typical | Maximum | Units |
|-----------|--|---------|---------|---------|---------|
| V_{RWM} | | | | 5.5 | V |
| I_R | $V_{RWM} = 5.5V, T = 25^{\circ}C$ Between I/O_1 and I/O_2 | | 0.1 | 1.0 | μ A |
| V_{BR} | $I_T = 1mA$ Between I/O_1 and I/O_2 | 6.0 | | 8.0 | V |
| V_C | $I_{PP} = 1A, t_p = 8/20\mu s$ Between I/O_1 and I/O_2 | | | 6.5 | V |
| V_C | $I_{PP} = 18A, t_p = 8/20\mu s$ Between I/O_1 and I/O_2 | | | 16 | V |
| C_{ESD} | $V_R = 0V, f = 1MHz$ Between I/O_1 and I/O_2 | | | 50 | pF |

Package Outline

- DFN1006-2L Package
- MSL-1

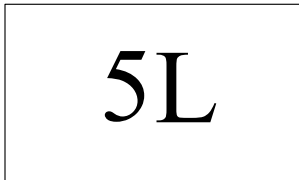


Tape and Reel Specification



| Symbol | W | A0 | B0 | K0 | E | F | P | P0 | P2 | T |
|-----------------|----------|----------|-----------|-----------|----------|----------|---------|---------|----------|----------|
| Dimensions (mm) | 8.00±0.1 | 0.7±0.05 | 1.15±0.05 | 0.55±0.05 | 1.75±0.1 | 3.5±0.05 | 2.0±0.1 | 4.0±0.1 | 2.0±0.05 | 0.2±0.05 |

Marking Codes



Note:

- (1) "5L" is part number, fixed
- (2) no cathode line and date code

Ordering Information

| Part Number | Working Voltage | Quantity Per Reel | Reel Size |
|-------------|-----------------|-------------------|-----------|
| TS0501NBX | 5.5V | 10,000 | 7 Inch |

X-ON Electronics

Largest Supplier of Electrical and Electronic Components

Click to view similar products for [ESD Suppressors / TVS Diodes](#) category:

Click to view products by [Shenzhen JingYang](#) manufacturer:

Other Similar products are found below :

[60KS200C](#) [D18V0L1B2LP-7B](#) [D5V0F4U5P5-7](#) [NTE4902](#) [P4KE27CA](#) [P6KE11CA](#) [P6KE8.2A](#) [SA60CA](#) [SA64CA](#) [SMBJ12CATR](#)
[SMBJ33CATR](#) [SMBJ6.5A](#) [SMBJ8.0A](#) [ESD101-B1-02ELS E6327](#) [ESD112-B1-02EL E6327](#) [ESD7451N2T5G](#) [19180-510](#) [CPDT-5V0USP-](#)
[HF](#) [3.0SMCJ33CA-F](#) [3.0SMCJ36A-F](#) [HSPC16701B02TP](#) [JANTX1N6126A](#) [D3V3Q1B2DLP3-7](#) [D55V0M1B2WS-7](#) [SCM1293A-04SO](#)
[ESD200-B1-CSP0201 E6327](#) [SM12-7](#) [CEN955 W/DATA](#) [VESD12A1A-HD1-GS08](#) [CPDQC5V0-HF](#) [D1213A-01LP4-7B](#) [ESD101-B1-02EL](#)
[E6327](#) [AOZ8808DI-03](#) [5KP15A](#) [5KP48A](#) [5KP90A](#) [ESD3V3D7-TP](#) [15KPA36A-LF](#) [P4KE56CA](#) [P4KE68A](#) [P4KE91CATR](#) [P6KE120A](#)
[P6KE13CA](#) [P6KE43CA](#) [P6KE6.8CA](#) [P6KE8.2](#) [P6SMBJ20CA](#) [JANTX1N6072A](#) [SR2835ESKG](#) [SA90CA](#)