



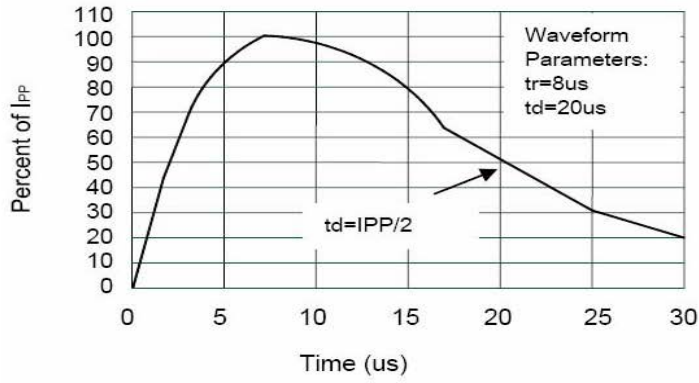
Absolute Maximum Rating

Symbol	Parameter	Value	Units
V _{ESD}	ESD per IEC 61000-4-2 (Air)	±30	kV
	ESD per IEC 61000-4-2 (Contact)	±30	
P _{PP}	Peak Pulse Power (8/20μs)	350	W
T _{OPT}	Operating Temperature	-55/+150	°C
T _{STG}	Storage Temperature	-55/+150	°C
T _L	Lead Soldering Temperature	260 (10 sec.)	°C

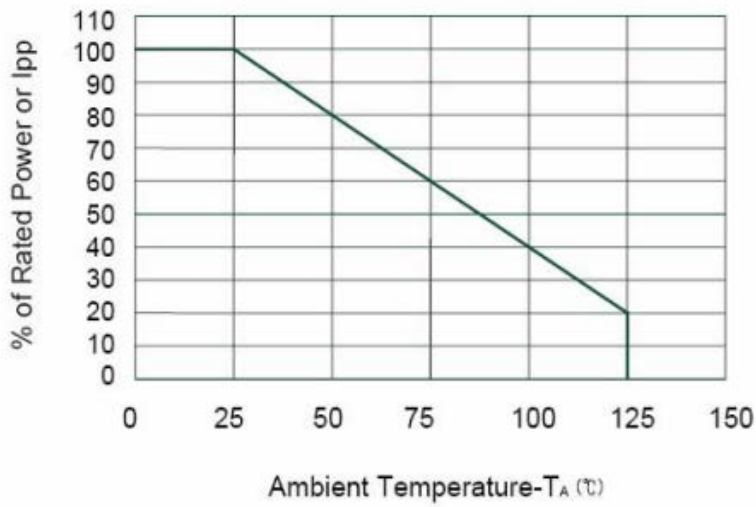
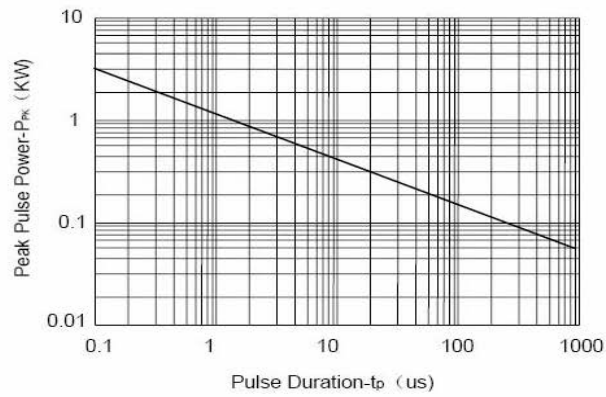
Electrical Characteristics (T = 25°C)

PART NUMBER	V _{RWM}	V _B	I _T	V _{C@1A}	V _C		I _R	C _T	DEVICE MARKING
	(V) (max.)	(V) (min.)	(mA)	(V) (max.)	(V) (max.)	(@A)	(μA) (max.)	(pF) (max.)	
TS0501LBX	5	6.0	1	10	24	19	0.1	80	5L
TS0801LBX	8	9.2	1	15	28	15	0.1	70	8L
TS1201LBX	12	13.3	1	19	32	12	0.1	60	CL
TS1501LBX	15	16.7	1	24	36	10	0.1	50	FL
TS1801LBX	18	20.4	1	28	45	8	0.1	40	IL
TS2401LBX	24	26.7	1	36	50	5	0.1	30	OL
TS3601LBX	36	40.0	1	50	60	4	0.1	20	KL

Typical Characteristics



Pulse Waveform



Power Derating Curve

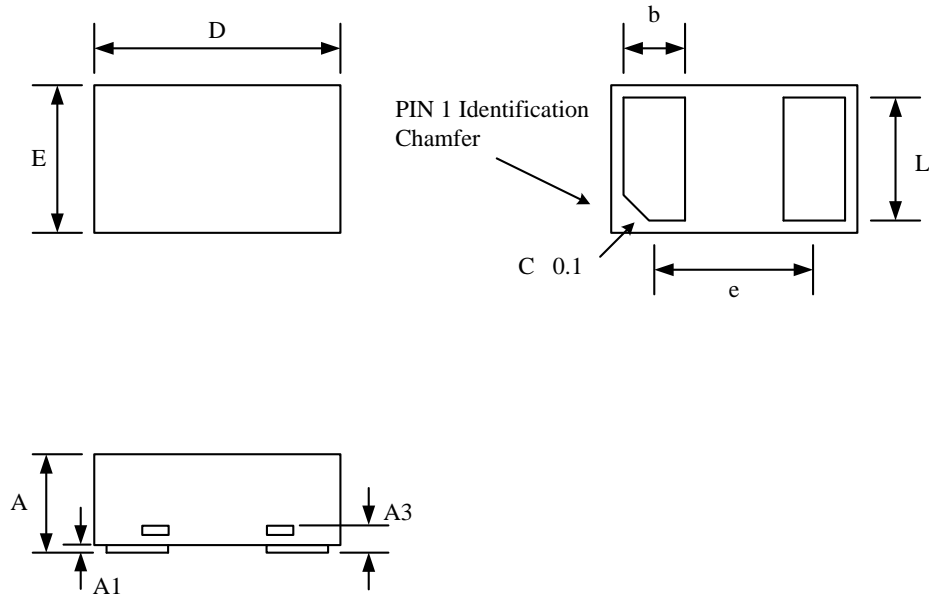


IEC61000-4-5 EOS Test (1.2/50uS, 8/20uS)

TS0501LBX	TS0801LBX	TS1201LBX																																																																		
<table border="1"> <caption>Approximate data for TS0501LBX</caption> <thead> <tr><th>Current (A)</th><th>Clamping Voltage (V)</th></tr> </thead> <tbody> <tr><td>0</td><td>8.5</td></tr> <tr><td>2</td><td>9.0</td></tr> <tr><td>4</td><td>9.5</td></tr> <tr><td>6</td><td>10.0</td></tr> <tr><td>8</td><td>10.5</td></tr> <tr><td>10</td><td>11.0</td></tr> <tr><td>12</td><td>11.5</td></tr> <tr><td>14</td><td>12.0</td></tr> <tr><td>16</td><td>12.5</td></tr> <tr><td>18</td><td>13.0</td></tr> <tr><td>20</td><td>14.0</td></tr> </tbody> </table>	Current (A)	Clamping Voltage (V)	0	8.5	2	9.0	4	9.5	6	10.0	8	10.5	10	11.0	12	11.5	14	12.0	16	12.5	18	13.0	20	14.0	<table border="1"> <caption>Approximate data for TS0801LBX</caption> <thead> <tr><th>Current (A)</th><th>Clamping Voltage (V)</th></tr> </thead> <tbody> <tr><td>0</td><td>12.0</td></tr> <tr><td>2</td><td>12.5</td></tr> <tr><td>4</td><td>13.0</td></tr> <tr><td>6</td><td>13.5</td></tr> <tr><td>8</td><td>14.0</td></tr> <tr><td>10</td><td>14.5</td></tr> <tr><td>12</td><td>15.0</td></tr> <tr><td>14</td><td>15.5</td></tr> <tr><td>16</td><td>16.0</td></tr> <tr><td>18</td><td>16.5</td></tr> <tr><td>20</td><td>17.0</td></tr> </tbody> </table>	Current (A)	Clamping Voltage (V)	0	12.0	2	12.5	4	13.0	6	13.5	8	14.0	10	14.5	12	15.0	14	15.5	16	16.0	18	16.5	20	17.0	<table border="1"> <caption>Approximate data for TS1201LBX</caption> <thead> <tr><th>Current (A)</th><th>Clamping Voltage (V)</th></tr> </thead> <tbody> <tr><td>0</td><td>16.0</td></tr> <tr><td>2</td><td>17.0</td></tr> <tr><td>4</td><td>18.0</td></tr> <tr><td>6</td><td>19.0</td></tr> <tr><td>8</td><td>20.0</td></tr> <tr><td>10</td><td>21.0</td></tr> <tr><td>12</td><td>22.0</td></tr> <tr><td>14</td><td>23.0</td></tr> </tbody> </table>	Current (A)	Clamping Voltage (V)	0	16.0	2	17.0	4	18.0	6	19.0	8	20.0	10	21.0	12	22.0	14	23.0
Current (A)	Clamping Voltage (V)																																																																			
0	8.5																																																																			
2	9.0																																																																			
4	9.5																																																																			
6	10.0																																																																			
8	10.5																																																																			
10	11.0																																																																			
12	11.5																																																																			
14	12.0																																																																			
16	12.5																																																																			
18	13.0																																																																			
20	14.0																																																																			
Current (A)	Clamping Voltage (V)																																																																			
0	12.0																																																																			
2	12.5																																																																			
4	13.0																																																																			
6	13.5																																																																			
8	14.0																																																																			
10	14.5																																																																			
12	15.0																																																																			
14	15.5																																																																			
16	16.0																																																																			
18	16.5																																																																			
20	17.0																																																																			
Current (A)	Clamping Voltage (V)																																																																			
0	16.0																																																																			
2	17.0																																																																			
4	18.0																																																																			
6	19.0																																																																			
8	20.0																																																																			
10	21.0																																																																			
12	22.0																																																																			
14	23.0																																																																			
TS1501LBX	TS1801LBX	TS2401LBX																																																																		
<table border="1"> <caption>Approximate data for TS1501LBX</caption> <thead> <tr><th>Current (A)</th><th>Clamping Voltage (V)</th></tr> </thead> <tbody> <tr><td>0</td><td>21.0</td></tr> <tr><td>2</td><td>22.0</td></tr> <tr><td>4</td><td>23.0</td></tr> <tr><td>6</td><td>24.0</td></tr> <tr><td>8</td><td>25.0</td></tr> <tr><td>10</td><td>26.0</td></tr> </tbody> </table>	Current (A)	Clamping Voltage (V)	0	21.0	2	22.0	4	23.0	6	24.0	8	25.0	10	26.0	<table border="1"> <caption>Approximate data for TS1801LBX</caption> <thead> <tr><th>Current (A)</th><th>Clamping Voltage (V)</th></tr> </thead> <tbody> <tr><td>0</td><td>31.0</td></tr> <tr><td>2</td><td>33.0</td></tr> <tr><td>4</td><td>35.0</td></tr> <tr><td>6</td><td>37.0</td></tr> <tr><td>8</td><td>39.0</td></tr> </tbody> </table>	Current (A)	Clamping Voltage (V)	0	31.0	2	33.0	4	35.0	6	37.0	8	39.0	<table border="1"> <caption>Approximate data for TS2401LBX</caption> <thead> <tr><th>Current (A)</th><th>Clamping Voltage (V)</th></tr> </thead> <tbody> <tr><td>0</td><td>36.0</td></tr> <tr><td>2</td><td>38.0</td></tr> <tr><td>4</td><td>40.0</td></tr> <tr><td>6</td><td>42.0</td></tr> <tr><td>8</td><td>44.0</td></tr> </tbody> </table>	Current (A)	Clamping Voltage (V)	0	36.0	2	38.0	4	40.0	6	42.0	8	44.0																												
Current (A)	Clamping Voltage (V)																																																																			
0	21.0																																																																			
2	22.0																																																																			
4	23.0																																																																			
6	24.0																																																																			
8	25.0																																																																			
10	26.0																																																																			
Current (A)	Clamping Voltage (V)																																																																			
0	31.0																																																																			
2	33.0																																																																			
4	35.0																																																																			
6	37.0																																																																			
8	39.0																																																																			
Current (A)	Clamping Voltage (V)																																																																			
0	36.0																																																																			
2	38.0																																																																			
4	40.0																																																																			
6	42.0																																																																			
8	44.0																																																																			
TS3601LBX																																																																				
<table border="1"> <caption>Approximate data for TS3601LBX</caption> <thead> <tr><th>Current (A)</th><th>Clamping Voltage (V)</th></tr> </thead> <tbody> <tr><td>1</td><td>50.0</td></tr> <tr><td>2</td><td>53.0</td></tr> <tr><td>3</td><td>56.0</td></tr> <tr><td>4</td><td>59.0</td></tr> <tr><td>5</td><td>62.0</td></tr> </tbody> </table>	Current (A)	Clamping Voltage (V)	1	50.0	2	53.0	3	56.0	4	59.0	5	62.0																																																								
Current (A)	Clamping Voltage (V)																																																																			
1	50.0																																																																			
2	53.0																																																																			
3	56.0																																																																			
4	59.0																																																																			
5	62.0																																																																			

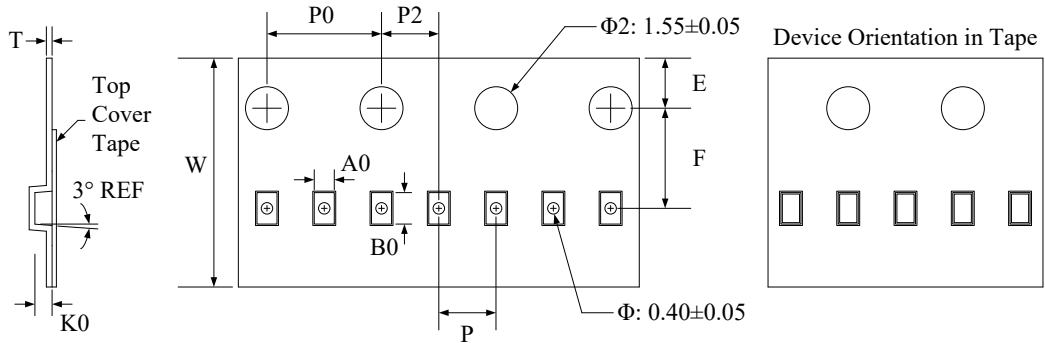
Package Outline Dimensions

- DFN1.0*0.6-2L Package
- MSL-1

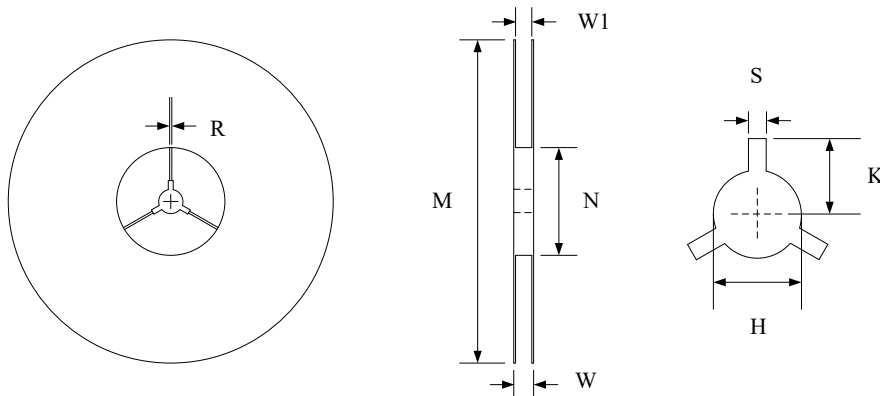


Package Dimensions (Controlling dimensions are in millimeters)

Symbol	Dimensions In Millimeters		Dimensions In Inches	
	Minimum	Maximum	Minimum	Maximum
A	0.400	0.550	0.016	0.022
A1	0.000	0.050	0.000	0.002
A3	0.125 REF		0.005 REF	
D	0.950	1.050	0.037	0.041
E	0.550	0.650	0.022	0.026
b	0.200	0.300	0.008	0.012
e	0.650 BSC		0.026 BSC	
L	0.450	0.550	0.018	0.022

Tape and Reel Specification


Symbol	W	A0	B0	K0	E	F	P	P0	P2	T
Dimensions (mm)	8.00±0.1	0.7±0.05	1.15±0.05	0.55±0.05	1.75±0.1	3.5±0.05	2.0±0.1	4.0±0.1	2.0±0.05	0.2±0.05



Symbol	Reel Size	M	N	W	W1	H	S	K	R
Dimensions (mm)	$\Phi 178$	178.0±1.0	60.0±1.0	11.5±0.5	9.0±0.5	13.0±0.5	2.0±0.1	11.0±0.2	1.0±0.05

Ordering Information

Part Number	Qty per Reel	Reel Size
TSxx01LBX	10,000	7 inch

X-ON Electronics

Largest Supplier of Electrical and Electronic Components

Click to view similar products for [ESD Suppressors / TVS Diodes](#) category:

Click to view products by [Shenzhen JingYang](#) manufacturer:

Other Similar products are found below :

[60KS200C](#) [D18V0L1B2LP-7B](#) [D5V0F4U5P5-7](#) [NTE4902](#) [P4KE27CA](#) [P6KE11CA](#) [P6KE8.2A](#) [SA60CA](#) [SA64CA](#) [SMBJ12CATR](#)
[SMBJ33CATR](#) [SMBJ6.5A](#) [SMBJ8.0A](#) [ESD101-B1-02ELS](#) [E6327](#) [ESD112-B1-02EL](#) [E6327](#) [ESD7451N2T5G](#) [19180-510](#) [CPDT-5V0USP-](#)
[HF](#) [3.0SMCJ33CA-F](#) [3.0SMCJ36A-F](#) [HSPC16701B02TP](#) [JANTX1N6126A](#) [D3V3Q1B2DLP3-7](#) [D55V0M1B2WS-7](#) [SCM1293A-04SO](#)
[ESD200-B1-CSP0201](#) [E6327](#) [SM12-7](#) [CEN955](#) [W/DATA](#) [VESD12A1A-HD1-GS08](#) [CPDQC5V0-HF](#) [D1213A-01LP4-7B](#) [ESD101-B1-02EL](#)
[E6327](#) [AOZ8808DI-03](#) [5KP15A](#) [5KP48A](#) [5KP90A](#) [ESD3V3D7-TP](#) [15KPA36A-LF](#) [P4KE56CA](#) [P4KE68A](#) [P4KE91CATR](#) [P6KE120A](#)
[P6KE13CA](#) [P6KE43CA](#) [P6KE6.8CA](#) [P6KE8.2](#) [P6SMBJ20CA](#) [JANTX1N6072A](#) [SR2835ESKG](#) [SA90CA](#)