

: YUhi fYg'

- IEC61000-4-2 (ESD) +/-30kV (air),
+/-30KV(contact)
- IEC61000-4-4 (EFT) 40A (5/50ns)
- IEC61000-4-5 (EOS) (1.2/50uS, 8/20uS)
- Protects one I/O line (bidirectional)
- Working voltages : 3.3V,8V,12V,15V,18V,
24V,36V
- Low leakage current
- ROHS compliant

8 YgW]dh]cb'

The TSxx01TEX Series are ultra low capacitance transient voltage suppressor arrays, designed to protect applications such as portable electronics and SMART phones.

The TSxx01TEX and Series meets IEC 61000-4-2 (ESD) and IEC 61000-4-4 (EFT) requirements. At higher operating frequencies or faster edge rates, insertion loss and signal integrity are a major concern. This series offers a ultra low capacitance and low leakage current in a miniature SOD323 package.

5 dd`]WU]cbg

- Cell Phone Handsets and Accessories
- Microprocessor based equipment
- Personal Digital Assistants (PDA's)
- Notebooks, Desktops, and Servers
- Portable Instrumentation
- Peripherals
- USB Interface

A YW Ub]WU'7\ UFUWYf]gh]Vg

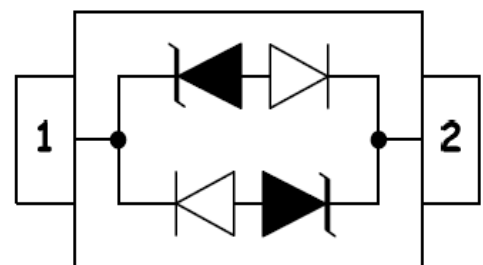
- SOD323 package
- Flammability Rating: UL 94V-0
- Packaging:Tape and Reel
- High temperature soldering guaranteed:260°C/10s
- Reel size: 7 inch

CfXYf]b[`bZcfa U]cb

Device: TSxx01TEX

- Package: SOD323
- Material: Halogen free
- Packing: Tape & Reel
- Quantity per reel: 3,000pcs

D]b'7 cbZ[i fU]cb



(Top View)



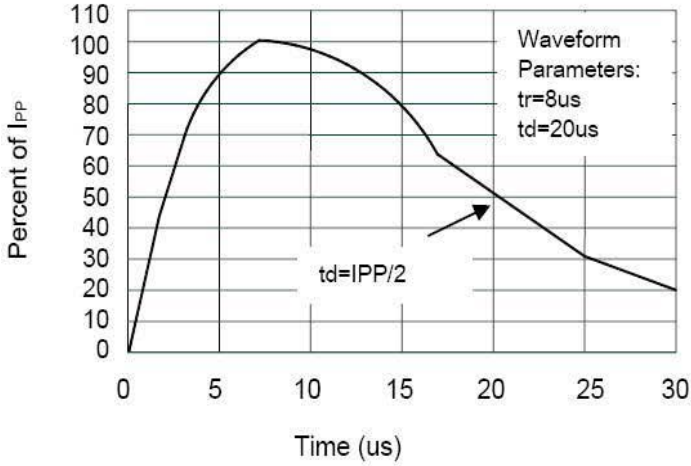
5 Vgc`i h'A U]a i a 'FUhb['

Symbol	Parameter	Value	Units
V _{ESD}	ESD per IEC 61000-4-2 (Air)	±30	kV
	ESD per IEC 61000-4-2 (Contact)	±30	
T _{OPT}	Operating Temperature	-55 to +150	°C
T _{STG}	Storage Temperature	-55 to +150	°C
T _{LST}	Lead Soldering Temperature	260	°C

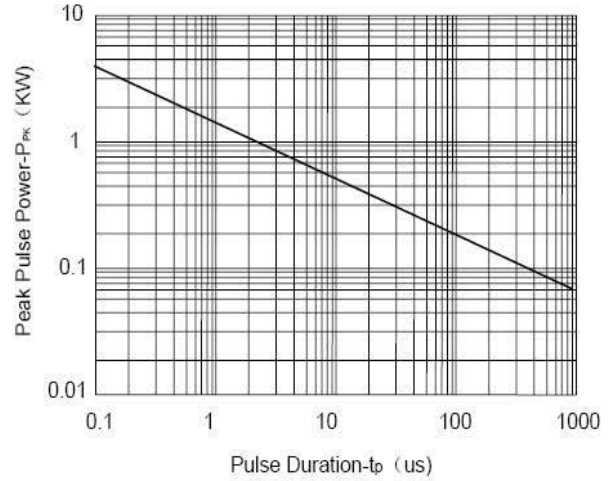
9`Ywf]WU'7\ UfUWYf]gh]Vg'fH'1'&)°7)

PART NUMBER	DEVICE MARKING	V _{RWM}	V _B	I _{pp}	V _{C@1A}	V _C		I _R	C _T
		(V) (max.)	(V) (min.)	(A) (max.)	(V) (max.)	(V) (max.) (@A)	(nA) (max.)	(pF) (typ.)	
TS0301TEX	AC/CC	3.3	4.0	20	8.0	16	20	50	0.9
TS0801TEX	BC	8.0	9.2	15	15.0	28	15	50	0.9
TS1201TEX	DC	12.0	13.3	13	19.0	32	13	50	0.9
TS1501TEX	EC	15.0	16.7	10	24.0	36	10	50	0.9
TS1801TEX	GC	18.0	20.0	8	28.0	45	8	50	0.9
TS2401TEX	HC	24.0	26.7	7	36.0	50	7	50	0.9
TS3601TEX	KC	36.0	40.0	6	50.0	60	6	50	0.9

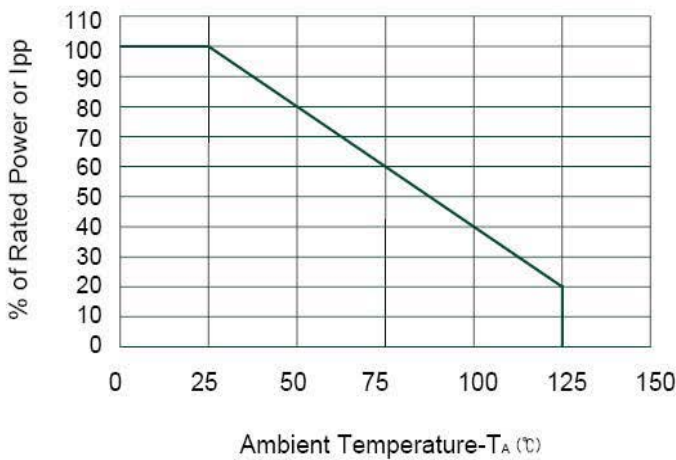
9`YwfJWU`7\ UfUMYfJghJWg`7 i fj Y



Pulse Waveform



Non-Repetitive Peak Pulse Power vs. Pulse Time

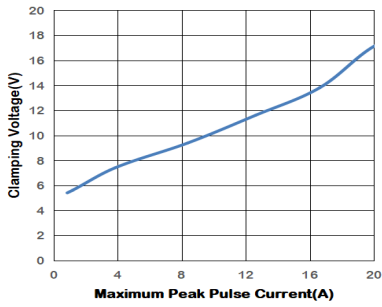


Power Derating Curve

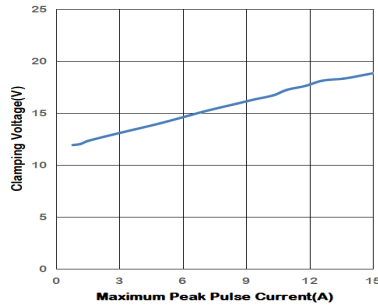


IEC61000-4-5 EOS Test (1.2/50uS, 8/20uS)

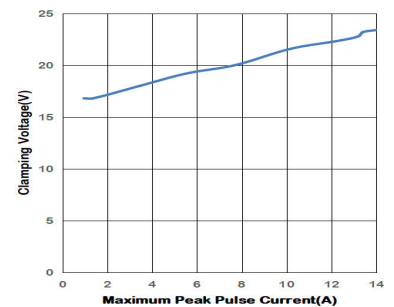
TS0301TEX



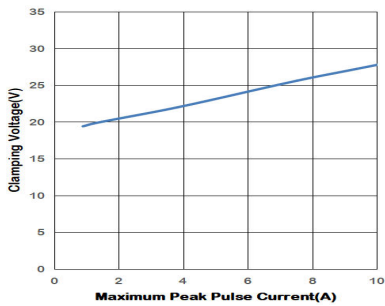
TS0801TEX



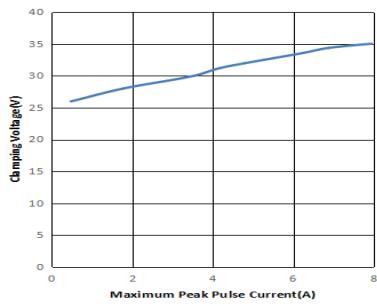
TS1201TEX



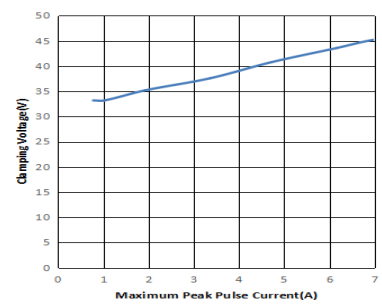
TS1501TEX



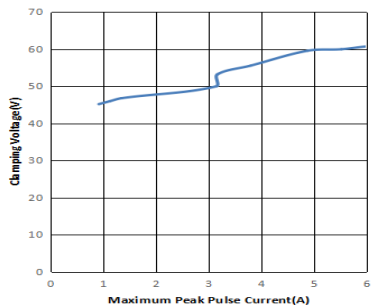
TS1801TEX



TS2401TEX



TS3601TEX

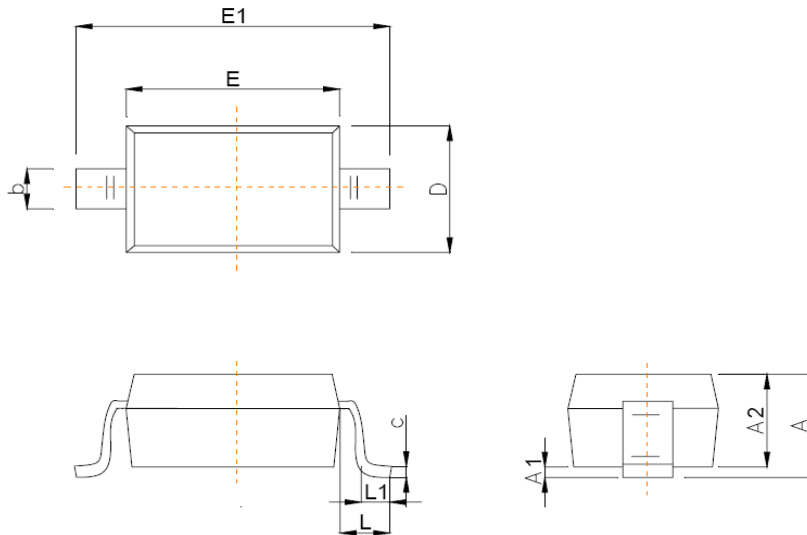


Package Outline

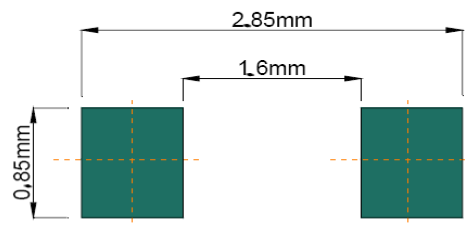
- SOD323 package



Package Outline Dimensions



Symbol	Dimensions In Millimeters	
	Min	Max
A		1.00
A1	0.000	0.100
A2	0.800	0.900
b	0.250	0.350
c	0.080	0.150
D	1.200	1.400
E	1.600	1.800
E1	2.500	2.700
e	1.800	2.040
L	0.475 REF	
L1	0.250	0.400
θ	0°	8°

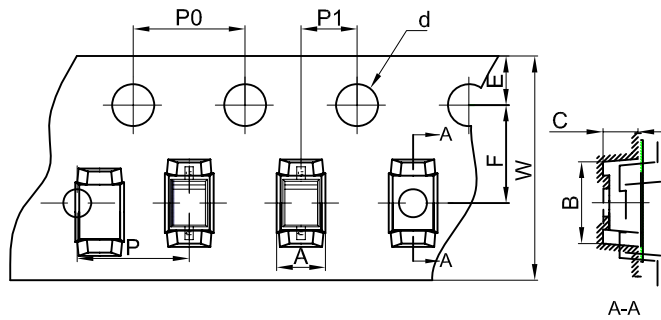


Recommended Pad outline

P.S. TSxx01TEX series are the bidirectional TVS. The device marking is directionless. Then the device orientation in tape is not requested.

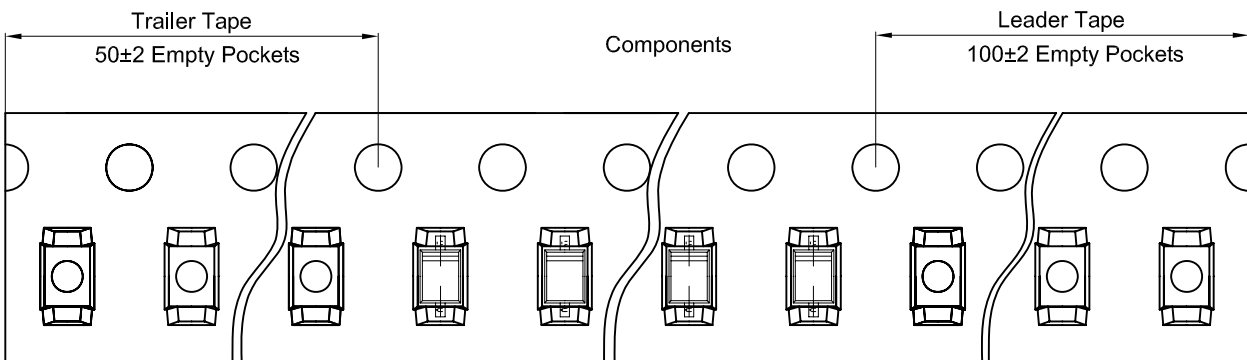


Tape and Reel Specification

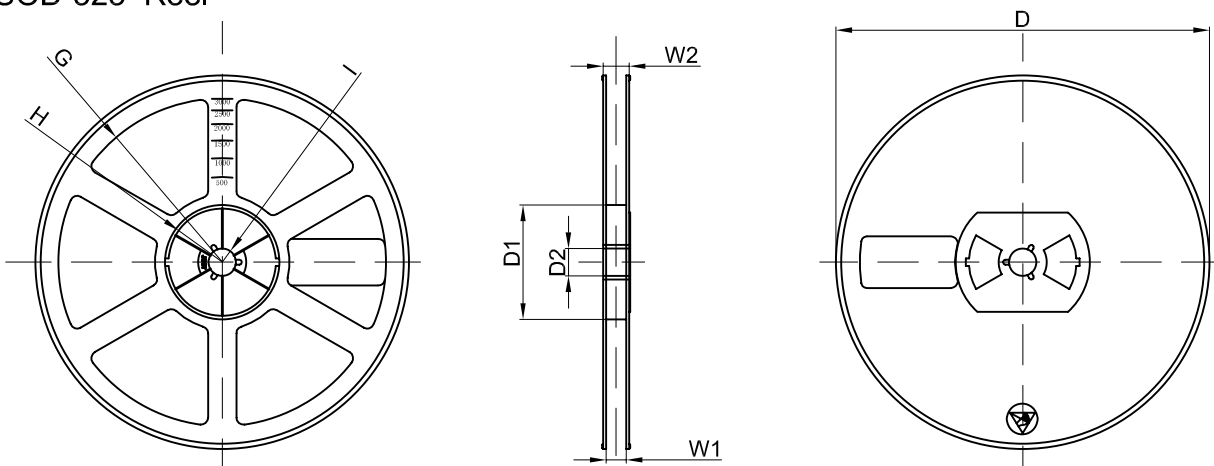


Dimensions are in millimeter										
Pkg type	A	B	C	d	E	F	P0	P	P1	W
SOD-323	1.46	2.90	1.25	Ø1.50	1.75	3.50	4.00	4.00	2.00	8.00
(Tolerance)	+/-0.05	+/-0.05	+/-0.05	+/-0.1	+/-0.1	+/-0.1	+/-0.1	+/-0.1	+/-0.1	+0.3/-0.1

SOD-323 Tape Leader and Trailer



SOD-323 Reel



Dimensions are in millimeter								
Reel Option	D	D1	D2	G	H	I	W1	W2
7" Dia	Ø178.00	54.40	13.00	R78.00	R25.60	R6.50	9.50	12.30
Tolerance	+/-2	+/-1	+/-1	+/-1	+/-1	+/-1	+/-1	+/-1

REEL	Reel Size	Box	Box Size(mm)	Carton	Carton Size(mm)	G.W.(kg)
3000 pcs	7 inch	45,000 pcs	203×203×195	180,000 pcs	438×438×220	

X-ON Electronics

Largest Supplier of Electrical and Electronic Components

Click to view similar products for [ESD Suppressors / TVS Diodes](#) category:

Click to view products by [Shenzhen JingYang](#) manufacturer:

Other Similar products are found below :

[60KS200C](#) [D18V0L1B2LP-7B](#) [D5V0F4U5P5-7](#) [NTE4902](#) [P4KE27CA](#) [P6KE11CA](#) [P6KE8.2A](#) [SA60CA](#) [SA64CA](#) [SMBJ12CATR](#)
[SMBJ33CATR](#) [SMBJ6.5A](#) [SMBJ8.0A](#) [ESD101-B1-02ELS](#) [E6327](#) [ESD112-B1-02EL](#) [E6327](#) [ESD7451N2T5G](#) [19180-510](#) [CPDT-5V0USP-](#)
[HF](#) [3.0SMCJ33CA-F](#) [3.0SMCJ36A-F](#) [HSPC16701B02TP](#) [JANTX1N6126A](#) [D3V3Q1B2DLP3-7](#) [D55V0M1B2WS-7](#) [SCM1293A-04SO](#)
[ESD200-B1-CSP0201](#) [E6327](#) [SM12-7](#) [CEN955](#) [W/DATA](#) [VESD12A1A-HD1-GS08](#) [CPDQC5V0-HF](#) [D1213A-01LP4-7B](#) [ESD101-B1-02EL](#)
[E6327](#) [AOZ8808DI-03](#) [5KP15A](#) [5KP48A](#) [5KP90A](#) [ESD3V3D7-TP](#) [15KPA36A-LF](#) [P4KE56CA](#) [P4KE68A](#) [P4KE91CATR](#) [P6KE120A](#)
[P6KE13CA](#) [P6KE43CA](#) [P6KE6.8CA](#) [P6KE8.2](#) [P6SMBJ20CA](#) [JANTX1N6072A](#) [SR2835ESKG](#) [SA90CA](#)