

深圳市业展电子有限公司

# 承认书

## SPECIFICATION FOR APPROVAL

客户名称  
Customer Name \_\_\_\_\_  
客户料号  
Customer P/N \_\_\_\_\_  
产品名称  
Product Name Ultra Low Ohm Chip Resistors – YLR-W Series  
制造商料号  
Manufacture P/N YLR12-3-5F-W  
申请承认日期  
Apply Date 2019-07-02 版本  
REV. \_\_\_\_\_

供货商属性  代理商 \_\_\_\_\_  制造商 深圳市业展电子有限公司

Vendor Type Agency Manufacturer

Note: 禁止使用 1 级环境管理物质.遵守 ACBEL"环境管理物质规范"中所要求之含量标准.  
Restrict use of hazardous substances of level 1; Comply with "Specification for Hazardous Substances and Materials Management" of ACBEL

| 供货商印鉴<br>Vendor Stamp | APPROVED | CHECKED | PREPARED | 承认印鉴<br>Stamp |
|-----------------------|----------|---------|----------|---------------|
|                       |          |         | 邓小辉      |               |

Mainland China: 深圳市业展电子有限公司

Shenzhen Yezhan Electronics Co., Ltd.

Add: 深圳市龙华区观澜环观中路荣倡工业园 6-7 栋

Tel: 0755-26517682 Fax: 0755-29500756

深圳市业展电子有限公司  
Shenzhen Yezhan Electronics Co.,Ltd

# 电流采样晶片电阻 Ultra Low Ohm Chip Resistors

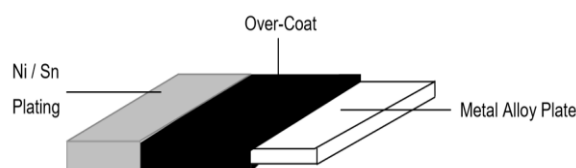
## ★特征 Features

- 阻值范围 Resistance value: 0.5mΩ~51mΩ
- 精度 Tolerance: ±1%、±2%、±5%
- 功率 Power: 2W 3W
- 温度系数 Temperature coefficient: ±50ppm/°C,
- 工作温度范围 Operating temperature range: -65°C~170°C
- 定做特殊规格 Customized special specification size



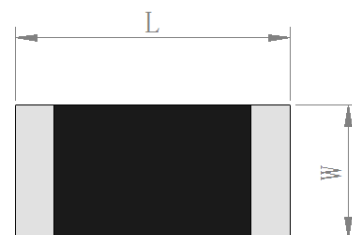
## ★用途 Applications

- 过流保护 Over current protection
- 电流取样 Current sense applications
- 伺服电机控制电路 Servo motor control circuits
- 智能功率模块 Intelligent power modules
- 工业电脑模块及精密测量系统 industrial PC modules and precision measurement system
- 高速 CPU 外围设备中电流检测电路 Current detection circuits in high-speed CPU peripherals



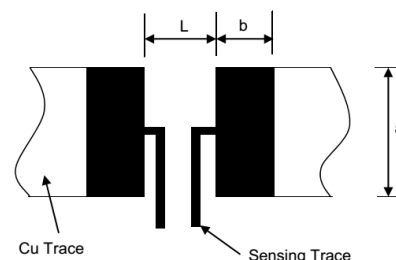
## ★尺寸 Size

| Type | L<br>/mm | W<br>/mm | A<br>/mm | D<br>/mm | resistance<br>/mΩ |
|------|----------|----------|----------|----------|-------------------|
| 2512 | 6.35±0.2 | 3.2±0.2  | 1.7±0.2  | 0.8±0.1  | ≤4                |
|      |          |          | 0.9±0.2  |          | >4                |



## ★推荐焊接尺寸 Recommend Solder Pad Dimension

| Resistance range<br>/mΩ | Dimensions |      |      |
|-------------------------|------------|------|------|
|                         | a/mm       | b/mm | L/mm |
| ≤4                      | 4.0        | 3.1  | 1.3  |
| >4                      |            | 2.1  | 4.1  |



## ★印字标识 Marking

R001=1mΩ    R050=50mΩ

深圳市业展电子有限公司  
Shenzhen Yezhan Electronics Co.,Ltd

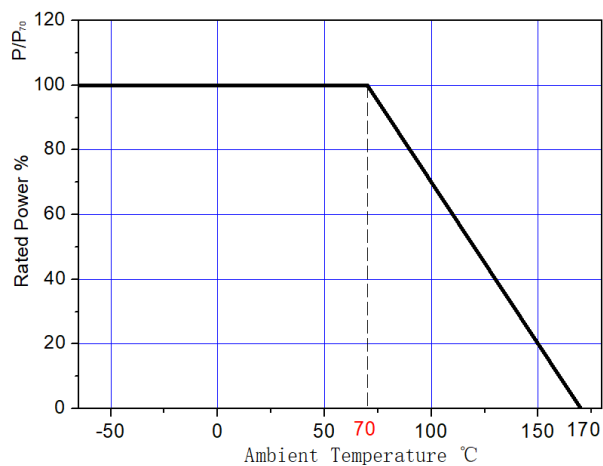
电流采样晶片电阻  
Ultra Low Ohm Chip Resistors

★工作特性 Performance Characteristics

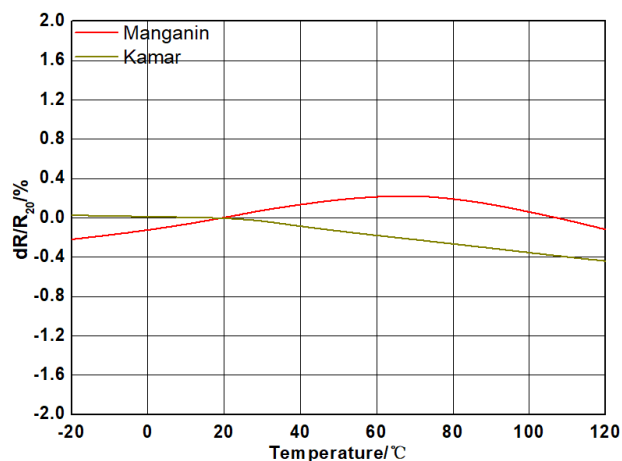
| Items                        | Additional Requirements  | Reference                 | Limits               |
|------------------------------|--|---------------------------|----------------------|
| Temperature Cycling          | 1000 Cycles(-55°C to +125°C)<br>Measurement at 24±2hours after test conclusion   | JESD22<br>Method JA-104   | ±0.5%                |
| High Temperature Exposure    | 1000hrs.@T=125°C.Unpowered.<br>Measurement at 24±2hours after test conclusion  | MIL-STD-202<br>Method 108 | ±1%                  |
| Moisture Resistance          | t=24hrs/cycle.Note:Steps 7a & 7b not required.<br>Unpowered.<br>Measurement at 24±2hours after test conclusion   | MIL-STD-202<br>Method 106 | ±0.5%                |
| Biased Humidity              | 1000hrs 85°C/85%RH。 Note:Specified conditions:10% of operating power.<br>Measurement at 24±2hours after test conclusion  | MIL-STD-202<br>Method 103 | ±0.5%                |
| Operational Life             | Condition D Steady State TA=125°C at rated power.<br>Measurement at 24±2hours after test conclusion  | MIL-STD-202<br>Method 108 | ±1%                  |
| Solderability                | 235°C±5°C,2s±0.5s  | J-STD-202                 | 95% Coverage Minimum |
| Vibration                    | 5 g's for 20 min, 12 cycles each of 3 orientations.<br>Note: Use 8"X5" PCB .031" thick 7 secure points on one long side and 2 secure points at corners of opposite sides. Parts mounted within 2" from any secure point. Test from 10-2000 Hz.<br>Measurement at 24±2hours after test conclusion | MIL-STD-202<br>Method 204 | ±0.5%                |
| Resistance to Soldering Heat | 260°C±5°C, 10s±1s<br>Measurement at 24±2hours after test conclusion  | MIL-STD-202<br>Method 210 | ±0.5%                |
| Short Time Overload          | 5×Rated power for 5 s<br>Measurement at 24±2hours after test conclusion  | MIL-STD-202<br>Method 201 | ±0.5%                |

深圳市业展电子有限公司  
Shenzhen Yezhan Electronics Co.,Ltd

★功率曲线 Power Derating Curve



★温度系数曲线 Temperature Coefficient of Resistance Curve



★订购信息 Ordering Date

产品型号 Model



规格型号 Type

12: 2512

额定功率 Rated Power

2:2W

阻值 Resistance

50F: 50mΩ 1%精度

W: 其他

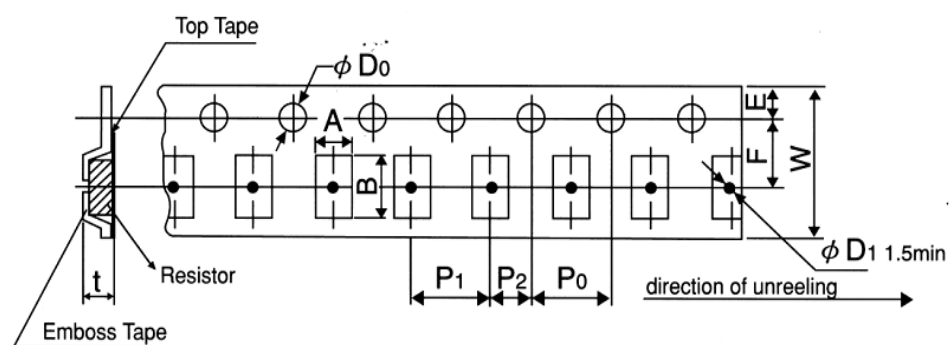
# 电流采样晶片电阻 Ultra Low Ohm Chip Resistors

## ★包装方式 Embossed Plastic Tape Specifications

储藏条件 Storage Conditions: Temperature:5℃~35℃, Humidity:40%~75%

包装数量 Number of Package

3000 个/盘 3000 Pieces / Package



| Items | Type    | A   | B   | W  | F   | E    | P <sub>1</sub> | P <sub>2</sub> | P <sub>0</sub> | D <sub>0</sub> | t   |
|-------|---------|-----|-----|----|-----|------|----------------|----------------|----------------|----------------|-----|
| Size  | YLR2512 | 3.6 | 6.9 | 12 | 5.5 | 1.75 | 4.0            | 2.0            | 4.0            | Φ1.5           | 1.2 |

## X-ON Electronics

Largest Supplier of Electrical and Electronic Components

*Click to view similar products for [Current Sense Resistors - SMD category](#):*

*Click to view products by [Yezhan manufacturer](#):*

Other Similar products are found below :

[5112](#) [65709-330JE](#) [PF2512FKF7W0R007L](#) [PR2512FKF7W0R003L](#) [PR2512FKF7W0R005L](#) [RCWL0603R500JNEA](#) [ERJ-3BQF1R1V](#) [ERJ-L14UJ42MU](#) [2-2176088-5](#) [PF2512FKF7W0R006L](#) [PF2512FKF7W0R033L](#) [2-2176089-4](#) [CD2015FC-0.10-1%](#) [PR2512FKF7W0R004L](#) [CGSSL1R01J](#) [CGSSL1R047J](#) [RC1005F124CS](#) [RCWE2512R110FKEA](#) [RCWL0805R330JNEA](#) [RL73H3AR47FTE](#) [RL73K3AR56JTDF](#) [RL7520WT-R001-F](#) [RL7520WT-R009-G](#) [RL7520WT-R020-F](#) [RLP73N1ER43JTD](#) [TL3AR01FTDG](#) [TLR3A20DR0005FTDG](#) [LRC-LR2512LF-01-R820J](#) [ERJ-3BQF4R3V](#) [ERJ-L14UF68MU](#) [TLR3A20DR001FTDG](#) [TLR3A30ER0005FTDG](#) [WR06X104JGLJ](#) [RLP73K1ER82JTD](#) [TL2BR01F](#) [TLR3A20DR01FTDG](#) [WSR3R0600FEA32](#) [ERJ-14BQF1R6U](#) [ERJ-14BQJR30U](#) [SP1220RJT](#) [SP1R12J](#) [ERJ-14BQF6R2U](#) [RL7520WT-R039-G](#) [PF1206FRF7W0R02L](#) [RL7520WT-R002-F](#) [RL7520WT-R047-F](#) [RLP73N2BR068FTDF](#) [RL7520WT-R005-F](#) [RCWE2512R220FKEA](#) [RCWE120625L0FMEA](#)