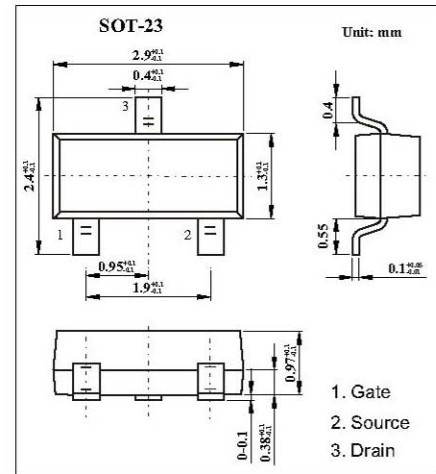
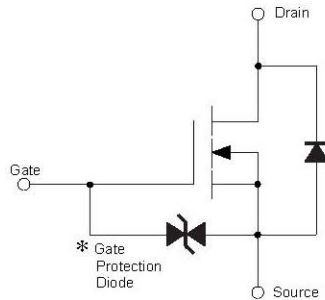


● Features

- Low on-resistance.
- Fast switching speed.
- Silicon N-channel MOSFET
- Drive circuits can be simple.



● Absolute Maximum Ratings $T_a = 25^\circ\text{C}$

Parameter	Symbol	Rating	Unit
Drain-source voltage	V_{DS}	30	V
Gate-source voltage	V_{GS}	± 20	V
Drain current	I_D	100	mA
	I_{DP}^{*1}	400	
Total power dissipation	P_D^{*2}	200	mW
Channel to ambient	$R_{th(ch-a)}^{*2}$	625	$^\circ\text{C}/\text{W}$
Channel Temperature	T_{ch}	150	$^\circ\text{C}$
Storage temperature	T_{stg}	-55 to +150	$^\circ\text{C}$

*1. $P_w \leq 10\mu\text{s}$, duty cycle $\leq 1\%$.

*2. With each pin mounted on the recommended lands.

● Electrical Characteristics Ta = 25°C

Parameter	Symbol	Testconditions	Min	Typ	Max	Unit
Gate-source leakage	I _{GSS}	V _{GS} = ±20 V, V _{DS} = 0 V			±1	μA
Drain-source Breakdown voltage	V _{(BR)DSS}	I _D = 10 μA, V _{GS} = 0V	30			V
Zero gate voltage drain current	I _{DSS}	V _{DS} = 30 V, V _{GS} = 0V			1	μA
Gate threshold voltage	V _{GS(th)}	V _{DS} = 3 V, I _D = 100 μA	0.8		1.5	V
Static drain-source on-state resistance	R _{DS(on)}	I _D = 10 mA, V _{GS} = 4V I _D = 1mA, V _{GS} = 2.5V		5 7	8 13	Ω
Forward transfer admittance	Y _{fs}	V _{DS} = 3 V, I _D = 10 mA	20			mS
Input capacitance	C _{iss}	V _{DS} = 5 V,		13		pF
Output capacitance	C _{oss}	V _{DS} = 0 V,		9		pF
Reverse transfer capacitance	C _{rss}	f = 1MHz		4		pF
Turn-on delay time	t _{d(on)}	I _D = 10 mA, V _{DD} = 5 V,		15		ns
Rise time	t _r	V _{GS} = 5 V,		35		ns
Turn-off time	t _{d(off)}	R _L = 500Ω		80		ns
Fall time	t _f	R _G = 10Ω		80		ns

X-ON Electronics

Largest Supplier of Electrical and Electronic Components

Click to view similar products for [MOSFET](#) category:

Click to view products by [Shikues](#) manufacturer:

Other Similar products are found below :

[614233C](#) [648584F](#) [MCH3443-TL-E](#) [MCH6422-TL-E](#) [FDPF9N50NZ](#) [FW216A-TL-2W](#) [FW231A-TL-E](#) [APT5010JVR](#) [NTNS3A92PZT5G](#)
[IRF100S201](#) [JANTX2N5237](#) [2SK2464-TL-E](#) [2SK3818-DL-E](#) [FCA20N60_F109](#) [FDZ595PZ](#) [STD6600NT4G](#) [FSS804-TL-E](#) [2SJ277-DL-E](#)
[2SK1691-DL-E](#) [2SK2545\(Q,T\)](#) [D2294UK](#) [405094E](#) [423220D](#) [MCH6646-TL-E](#) [TPCC8103,L1Q\(CM](#) [367-8430-0972-503](#) [VN1206L](#)
[424134F](#) [026935X](#) [051075F](#) [SBVS138LT1G](#) [614234A](#) [715780A](#) [NTNS3166NZT5G](#) [751625C](#) [873612G](#) [IRF7380TRHR](#)
[IPS70R2K0CEAKMA1](#) [RJK60S3DPP-E0#T2](#) [RJK60S5DPK-M0#T0](#) [APT5010JVFR](#) [APT12031JFLL](#) [APT12040JVR](#) [DMN3404LQ-7](#)
[NTE6400](#) [JANTX2N6796U](#) [JANTX2N6784U](#) [JANTXV2N5416U4](#) [SQM110N05-06L-GE3](#) [SIHF35N60E-GE3](#)