

## Features

- Maximum output current is 1.4A
- Range of operation input voltage: Max 30V
- Line regulation: 0.03%/V (typ.)
- Standby current: 2mA (typ.)
- Load regulation: 0.2%/A (typ.)
- Environment Temperature: -40°C ~ 85°C

## Applications

- Power Management for Computer Mother Board, Graphic Card
- LCD Monitor and LCD TV
- DVD Decode Board
- ADSL Modem
- Post Regulators For Switching Supplies

## General Description

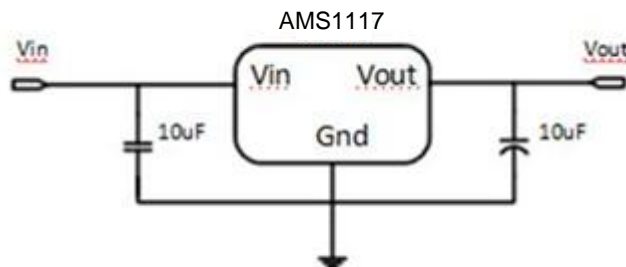
AMS1117 is a series of low dropout three-terminal regulators with a dropout of 1.3V at 1A load current. AMS1117 features a very low standby current 2mA compared to 5mA of competitor.

Other than a fixed version,  $V_{out} = 1.2V, 1.8V, 2.5V, 2.85V, 3.3V,$  and  $5V,$  AMS1117 has an adjustable version, which can provide an output voltage from 1.25 to 12V with only two external resistors.

AMS1117 offers thermal shut down function, to assure the stability of chip and power system. And it uses trimming technique to guarantee output voltage accuracy within 2%. Other output voltage accuracy can be customized on demand, such as 1%.

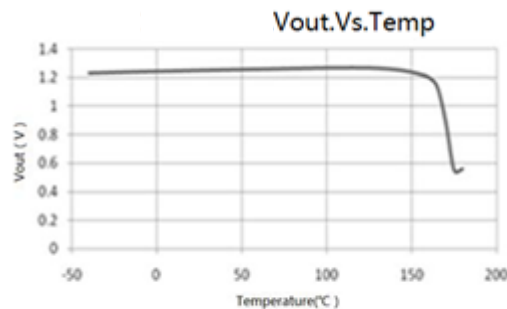
AMS1117 is available in SOT-223 package.

## Typical Application

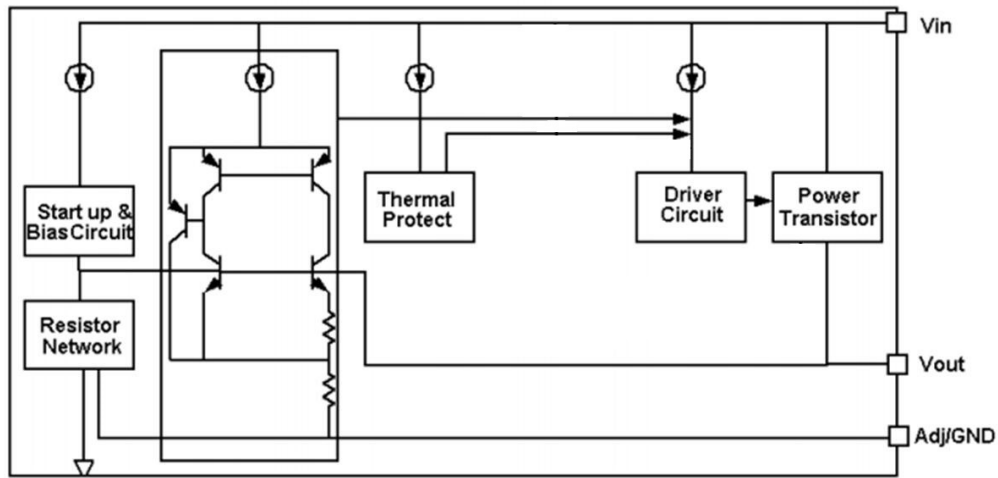


Application circuit of AMS1117 fixed version

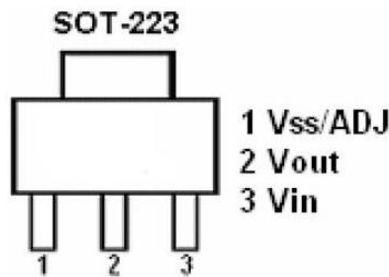
## Typical Electrical Characteristic



Block Diagram



Pin Configuration



Absolute Maximum Ratings

Max Input Voltage..... 30V  
 Max Operating Junction Temperature(Tj)..... 150°C  
 Ambient Temperature(Ta) ..... -40°C~ 85°C  
 Storage Temperature(Ts) ..... -40°C~150°C  
 Lead Temperature & Time..... 260°C 10S  
 Caution: Exceed these limits to damage to the device. Exposure to absolute maximum rating conditions may affect device reliability.

Recommended Work Conditions

Recommended maximum input voltage ..... 18V  
 Recommended operating junction temperature(Tj) ..... -20~125°C

Thermal Information

| Parameter                  | Package | Rating | Unit |
|----------------------------|---------|--------|------|
| Package thermal resistance | SOT-223 | 20     | °C/W |

**Electrical Characteristics**
 $T_A=25^{\circ}\text{C}$ , unless otherwise noted.

| Symbol | Parameter         | Conditions  | Min   | Typ  | Max   | Unit |
|--------|-------------------|---|-------|------|-------|------|
| Vref   | Reference voltage | AMS1117 -Adj<br>$10\text{mA} \leq I_{\text{out}} \leq 1\text{A}$ , $V_{\text{in}}=3.25\text{V}$ | 1.225 | 1.25 | 1.275 | V    |
| Vout   | Output voltage    | -1.2V<br>$0 \leq I_{\text{out}} \leq 1\text{A}$ , $V_{\text{in}}=3.2\text{V}$                   | 1.176 | 1.2  | 1.224 | V    |
|        |                   | -1.8V<br>$0 \leq I_{\text{out}} \leq 1\text{A}$ , $V_{\text{in}}=3.8\text{V}$                   | 1.764 | 1.8  | 1.836 | V    |
|        |                   | -2.5V<br>$0 \leq I_{\text{out}} \leq 1\text{A}$ , $V_{\text{in}}=4.5\text{V}$                   | 2.45  | 2.5  | 2.55  | V    |
|        |                   | -2.85V<br>$0 \leq I_{\text{out}} \leq 1\text{A}$ , $V_{\text{in}}=4.85\text{V}$                 | 2.793 | 2.85 | 2.907 | V    |
|        |                   | -3.3V<br>$0 \leq I_{\text{out}} \leq 1\text{A}$ , $V_{\text{in}}=5.3\text{V}$                   | 3.234 | 3.3  | 3.366 | V    |
|        |                   | -5.0V<br>$0 \leq I_{\text{out}} \leq 1\text{A}$ , $V_{\text{in}}=7.0\text{V}$                   | 4.9   | 5    | 5.1   | V    |

|                         |                 |  |  |      |     |     |
|-------------------------|-----------------|--|--|------|-----|-----|
| $\Delta V_{\text{out}}$ | Line regulation | -1.2V<br>$I_{\text{out}}=10\text{mA}$ , $2.7\text{V} \leq V_{\text{in}} \leq 10\text{V}$   |  | 0.03 | 0.2 | %/V |
|                         |                 | -ADJ<br>$I_{\text{out}}=10\text{mA}$ , $2.75\text{V} \leq V_{\text{in}} \leq 12\text{V}$   |  | 0.03 | 0.2 | %/V |
|                         |                 | -1.8V<br>$I_{\text{out}}=10\text{mA}$ , $3.3\text{V} \leq V_{\text{in}} \leq 12\text{V}$   |  | 0.03 | 0.2 | %/V |
|                         |                 | -2.5V<br>$I_{\text{out}}=10\text{mA}$ , $4.0\text{V} \leq V_{\text{in}} \leq 12\text{V}$   |  | 0.03 | 0.2 | %/V |
|                         |                 | -2.85V<br>$I_{\text{out}}=10\text{mA}$ , $4.35\text{V} \leq V_{\text{in}} \leq 12\text{V}$ |  | 0.03 | 0.2 | %/V |
|                         |                 | -3.3V<br>$I_{\text{out}}=10\text{mA}$ , $4.8\text{V} \leq V_{\text{in}} \leq 12\text{V}$   |  | 0.03 | 0.2 | %/V |
|                         |                 | -5.0V<br>$I_{\text{out}}=10\text{mA}$ , $6.5\text{V} \leq V_{\text{in}} \leq 12\text{V}$   |  | 0.03 | 0.2 | %/V |

|  |  |   |  |   |    |    |
|--|--|---|--|---|----|----|
|  |  | -1.2V<br>$V_{\text{in}}=2.7\text{V}$ , $10\text{mA} \leq I_{\text{out}} \leq 1\text{A}$ |  | 2 | 8  | mV |
|  |  | -ADJ<br>$V_{\text{in}}=2.75\text{V}$ , $10\text{mA} \leq I_{\text{out}} \leq 1\text{A}$ |  | 2 | 8  | mV |
|  |  | -1.8V<br>$V_{\text{in}}=3.3\text{V}$ , $10\text{mA} \leq I_{\text{out}} \leq 1\text{A}$ |  | 3 | 12 | mV |

|                       |                         |  |           |     |               |
|-----------------------|-------------------------|--|-----------|-----|---------------|
| $\Delta V_{out}$      | Load regulation         | AMS1117-2.5V<br>$V_{in} = 4.0V, 10mA \leq I_{out} \leq 1A$ | 4         | 16  | mV            |
|                       |                         | -2.85V<br>$V_{in} = 4.35V, 10mA \leq I_{out} \leq 1A$      | 5         | 20  | mV            |
|                       |                         | -3.3<br>$V_{in} = 4.8V, 10mA \leq I_{out} \leq 1A$         | 6         | 24  | mV            |
|                       |                         | -5.0<br>$V_{in} = 6.5V, 10mA \leq I_{out} \leq 1A$         | 9         | 36  | mV            |
| Vdrop                 | Dropout voltage         | $I_{out} = 100mA$  | 1.15      | 1.3 | V             |
|                       |                         | $I_{out} = 1A$   | 1.3       | 1.5 | V             |
| Imin                  | Minimum load current    | AMS1117-ADJ  | 2         | 10  | mA            |
| Iq                    | Quiescent Current       | AMS1117-1.2V, $V_{in} = 10V$                               | 2         | 5   | mA            |
|                       |                         | -1.8V, $V_{in} = 12V$                                      | 2         | 5   | mA            |
|                       |                         | -2.5V, $V_{in} = 12V$                                      | 2         | 5   | mA            |
|                       |                         | -2.85V, $V_{in} = 12V$                                     | 2         | 5   | mA            |
|                       |                         | -3.3V, $V_{in} = 12V$                                      | 2         | 5   | mA            |
|                       |                         | -5.0V, $V_{in} = 12V$                                      | 2         | 5   | mA            |
| IAdj                  | Adjust pin current      | AMS1117-ADJ<br>$V_{in} = 5V, 10mA \leq I_{out} \leq 1A$    | 55        | 120 | $\mu A$       |
| Ichange               | Iadj change             | AMS1117-ADJ<br>$V_{in} = 5V, 10mA \leq I_{out} \leq 1A$    | 0.2       | 10  | $\mu A$       |
| $\Delta V / \Delta T$ | Temperature coefficient |  | $\pm 100$ |     | ppm           |
| $\theta_{JC}$         | Thermal resistance      | SOT-223  | 20        |     | $^{\circ}C/W$ |

Note1: All test are conducted under ambient temperature 25° C and within a short period of time 20ms

Note2: Load current smaller than minimum load current of AMS1117-ADJ will lead to unstable or oscillation output.

## Detailed Description

AMS1117 is a series of low dropout voltage, three terminal regulators. Its application circuit is very simple: the fixed version only needs two capacitors and the adjustable version only needs two resistors and two capacitors to work. It is composed of some modules including start-up circuit, bias circuit, bandgap, thermal shutdown, power transistors and its driver circuit and so on.

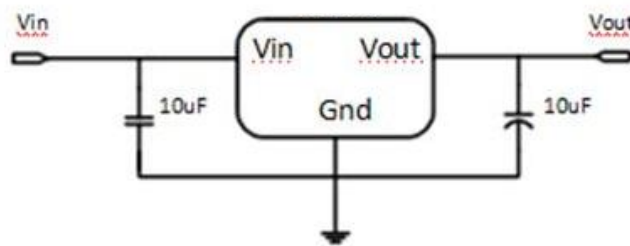
The thermal shut down modules can assure chip and its application system working safety when the junction temperature is larger than 140°C.

The bandgap module provides stable reference voltage, whose temperature coefficient is compensated by careful design considerations. The temperature coefficient is under 100 ppm/°C. And the accuracy of output voltage is guaranteed by trimming technique.

## Typical Application

AMS1117 has an adjustable version and six fixed versions (1.2V, 1.8V, 2.5V, 2.85V, 3.3V and 5V)

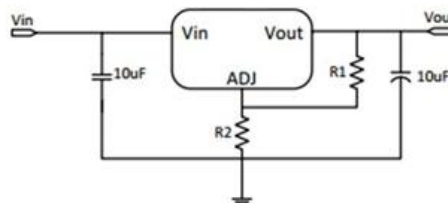
### Fixed Output Voltage Version



Application circuit of AMS1117 fixed version

- 1) Recommend using 10µF tan capacitor as bypass capacitor (C1) for all application circuit.
- 2) Recommend using 10µF tan capacitor to assure circuit stability.

### Adjustable Output Voltage Version



Application Circuit of AMS1117-ADJ

The output voltage of adjustable version follows the equation:  $V_{out} = 1.25 \times (1 + R2/R1) + I_{Adj} \times R2$ . We can ignore  $I_{Adj}$  because  $I_{Adj}$  (about 50µA) is much less than the current of  $R1$  (about 2~10mA).

- 1) To meet the minimum load current (>10mA) requirement,  $R1$  is recommended to be 125ohm or lower. As AMS1117-ADJ can keep itself stable at load current about 2mA,  $R1$  is not allowed to be higher than 625ohm.

2) Using a bypass capacitor ( $C_{ADJ}$ ) between the ADJ pin and ground can improve ripple rejection. This bypass capacitor prevents ripple from being amplified as the output voltage is increased. The impedance of  $C_{ADJ}$  should be less than  $R1$  to prevent ripple from being amplified. As  $R1$  is normally in the range of  $100\Omega\sim 500\Omega$ , the value of  $C_{ADJ}$  should satisfy this equation:  $1/(2\pi \times f_{ripple} \times C_{ADJ}) < R1$ .

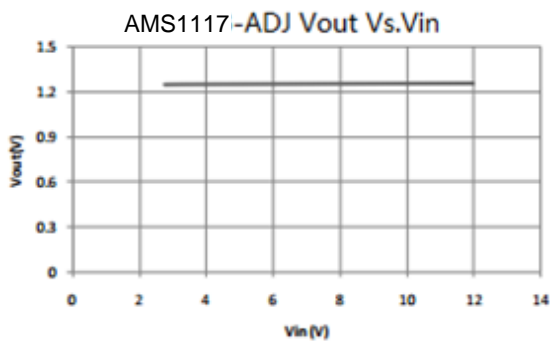
### Thermal Considerations

We have to take heat dissipation into great consideration when output current or differential voltage of input and output voltage is large. Because in such cases, the power dissipation consumed by AMS1117 is very large. AMS1117 series uses SOT-223 package type and its thermal resistance is about  $20^{\circ}\text{C}/\text{W}$ . And the copper area of application board can affect the total thermal resistance. If copper area is  $5\text{cm} \times 5\text{cm}$  (two sides), the resistance is about  $30^{\circ}\text{C}/\text{W}$ . So the total thermal resistance is about  $20^{\circ}\text{C}/\text{W} + 30^{\circ}\text{C}/\text{W}$ . We can decrease total thermal resistance by increasing copper area in application board. When there is no good heat dissipation copper are in PCB, the total thermal resistance will be as high as  $120^{\circ}\text{C}/\text{W}$ , then the power dissipation of AMS1117 could allow on itself is less than 1W. And furthermore, AMS1117 will work at junction temperature higher than  $125^{\circ}\text{C}$  under such condition and no lifetime is guaranteed.

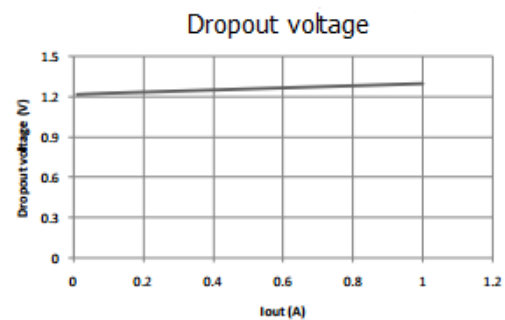
### Typical Performance Characteristics

$T_A=25^{\circ}\text{C}$ , unless otherwise noted.

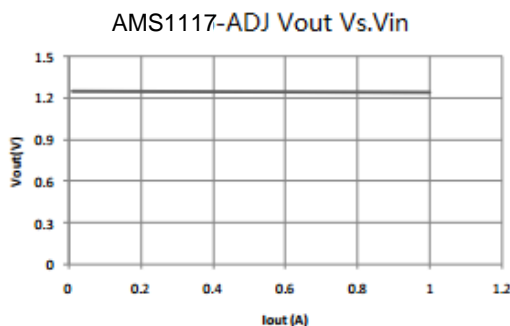
#### Line regulation



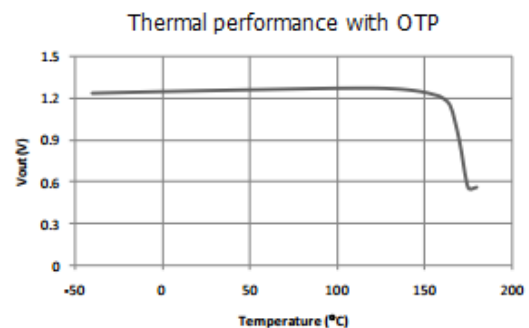
#### Dropout voltage



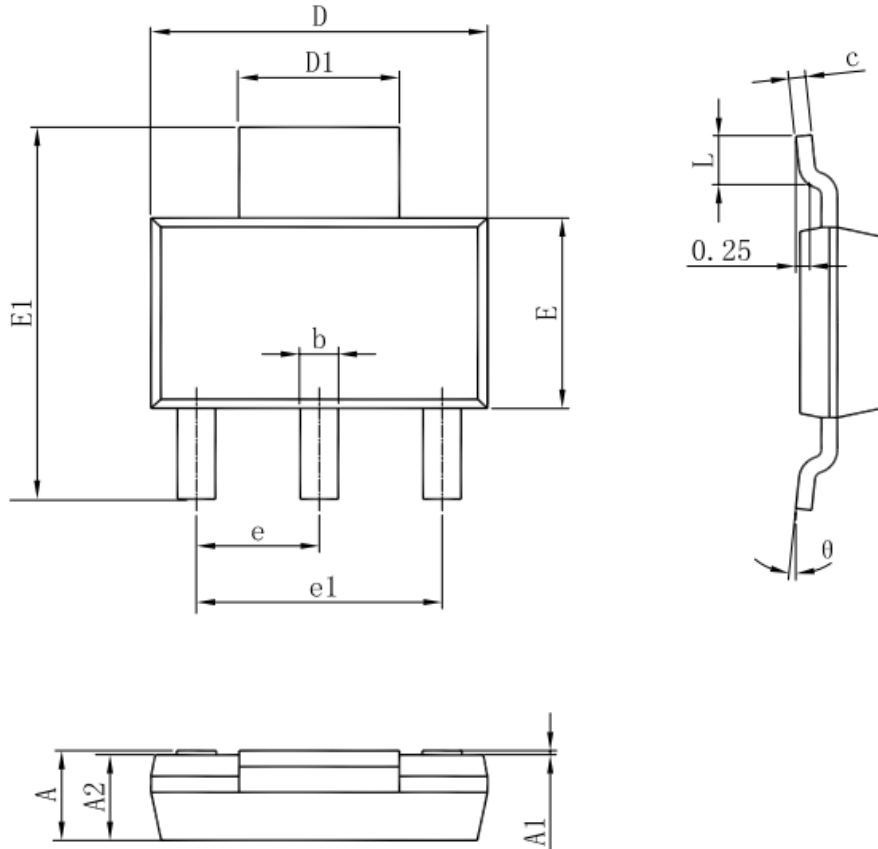
#### Load regulation



#### Thermal performance with OTP



SOT-223 PACKAGE OUTLINE DIMENSIONS



| Symbol | Dimensions In Millimeters |       | Dimensions In Inches |       |
|--------|---------------------------|-------|----------------------|-------|
|        | Min                       | Max   | Min                  | Max   |
| A      | 1.520                     | 1.800 | 0.060                | 0.071 |
| A1     | 0.000                     | 0.100 | 0.000                | 0.004 |
| A2     | 1.500                     | 1.700 | 0.059                | 0.067 |
| b      | 0.660                     | 0.820 | 0.026                | 0.032 |
| c      | 0.250                     | 0.350 | 0.010                | 0.014 |
| D      | 6.200                     | 6.400 | 0.244                | 0.252 |
| D1     | 2.900                     | 3.100 | 0.114                | 0.122 |
| E      | 3.300                     | 3.700 | 0.130                | 0.146 |
| E1     | 6.830                     | 7.070 | 0.269                | 0.278 |
| e      | 2.300(BSC)                |       | 0.091(BSC)           |       |
| e1     | 4.500                     | 4.700 | 0.177                | 0.185 |
| L      | 0.900                     | 1.150 | 0.035                | 0.045 |
| theta  | 0°                        | 10°   | 0°                   | 10°   |

## X-ON Electronics

Largest Supplier of Electrical and Electronic Components

*Click to view similar products for [LDO Voltage Regulators](#) category:*

*Click to view products by [Shikues](#) manufacturer:*

Other Similar products are found below :

[M38D29FFHP#U1](#) [702103A](#) [717726C](#) [742457H](#) [MP20051DN-LF-Z](#) [R5F111PGGFB#30](#) [AP7363-SP-13](#) [NCP103AMX285TCG](#)  
[NCV8664CST33T3G](#) [NCV8752AMX28TCG](#) [L9454](#) [AP7362-HA-7](#) [LX13043CLD](#) [TCR3DF185,LM\(CT](#) [TCR3DF24,LM\(CT](#)  
[TCR3DF285,LM\(CT](#) [TCR3DF31,LM\(CT](#) [TCR3DF45,LM\(CT](#) [TLF4949EJ](#) [L9708](#) [L970813TR](#) [030014BB](#) [059985X](#) [EAN61387601](#)  
[EAN61573601](#) [NCP121AMX173TCG](#) [NCP4687DH15T1G](#) [NCV8703MX30TCG](#) [701326R](#) [702087BB](#) [755078E](#) [TCR2EN28,LF\(S](#)  
[LM1117DT-1.8/NO](#) [LT1086CM#TRPBF](#) [AZ1085S2-1.5TRE1](#) [MAX15101EWL+T](#) [NCV8170AXV250T2G](#) [SCD337BTG](#)  
[TCR3DF27,LM\(CT](#) [TCR3DF19,LM\(CT](#) [TCR3DF125,LM\(CT](#) [TCR2EN18,LF\(S](#) [MAX15103EWL+T](#) [TS2937CZ-5.0 C0](#) [MAX8878EUK30-](#)  
[T](#) [MAX663CPA](#) [NCV4269CPD50R2G](#) [NCV8716MT30TBG](#) [AZ1117IH-1.2TRG1](#) [MP2013GQ-P](#)