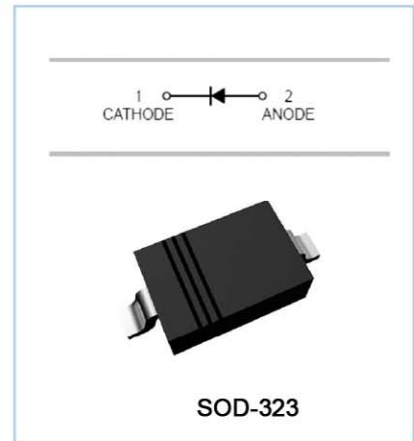


FEATURES

- Low Forward Voltage Drop.
- Guard Ring Construction For Transient Protection.
- Negligible Reverse Recovery Time.
- Low Reverse Capacitance.

APPLICATIONS

- Schottky barrier switching.



ORDERING INFORMATION

Type No.	Marking	Package Code
B0520WS	SD	SOD-323
B0530WS	SE	SOD-323
B0540WS	SF	SOD-323

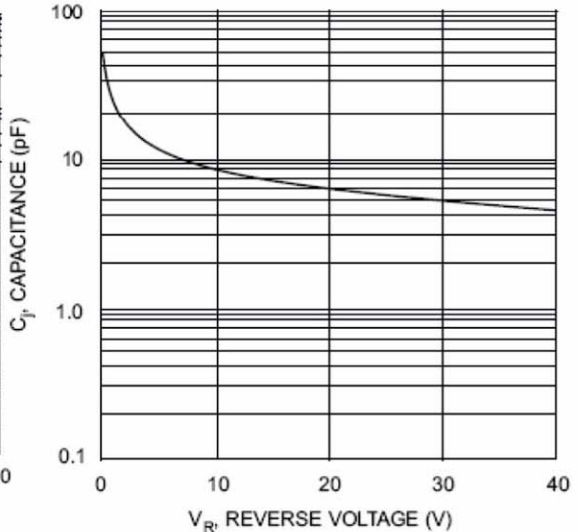
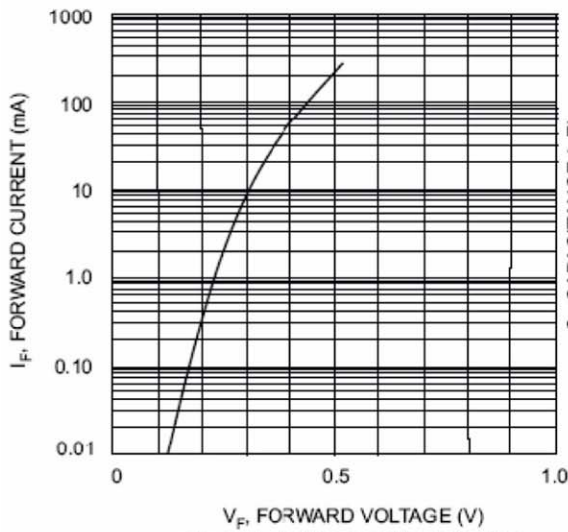
MAXIMUM RATING @ Ta=25°C unless otherwise specified

Parameter	Symbol	B0540WS	B0530WS	B0520WS	Unit
Peak Repetitive Peak reverse voltage	V_{RR}				
Working Peak DC Reverse Voltage	V_{RWM}	40	30	20	V
	V_R				
RMS Reverse Voltage	$V_{R(RMS)}$	28	21	14	V
Forward Continuous Current	I_F	350			mA
Repetitive Peak Forward Current @t≤1.0s	I_{FRM}	1.5			A
Power Dissipation	P_d	400			mW
Thermal Resistance Junction to Ambient	$R_{\theta JA}$	300			°C/W
Storage temperature	T_{stg}	-65~+125			°C

ELECTRICAL CHARACTERISTICS @ Ta=25°C unless otherwise specified

Parameter	Symbol	Min.	Typ.	Max.	Unit	Conditions
Reverse Breakdown Voltage	B0540WS B0530WS B0520WS	40 30 20			V	$I_R=10\mu A$ $I_R=10\mu A$ $I_R=10\mu A$
Forward voltage				0.37 0.60	V	$I_F=20mA$ $I_F=200mA$
Reverse current	B0540WS B0530WS B0520WS			5.0	μA	$V_R=30V$ $V_R=20V$ $V_R=10V$
Capacitance between terminals			50		pF	$V_R=0, f=1MHz$
Reverse Recovery Time			10		ns	$I_R=I_F=200mA$ $I_{rr}=0.1 \cdot I_R, R_L=100\Omega$

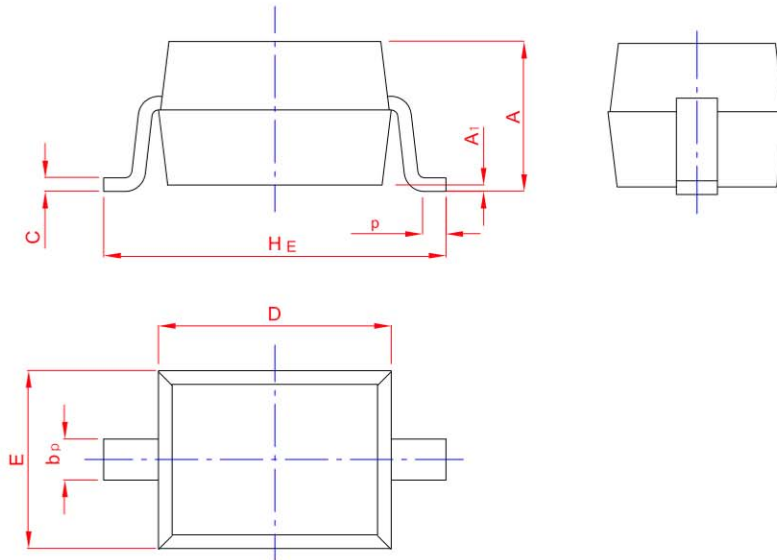
TYPICAL CHARACTERISTICS @ $T_a=25^\circ C$ unless otherwise specified



PACKAGE OUTLINE

Plastic surface mounted package; 2 leads

SOD-323



UNIT	A	bp	C	D	E	HE	A ₁	L _p
mm	1.20	0.40	0.15	1.80	1.35	2.80	0.10	0.50
	0.90	0.25	0.10	1.60	1.15	2.30	0.01	0.20

X-ON Electronics

Largest Supplier of Electrical and Electronic Components

Click to view similar products for [Schottky Diodes & Rectifiers](#) category:

Click to view products by [Shikues](#) manufacturer:

Other Similar products are found below :

[CUS06\(Te85L,Q,M\)](#) [MA4E2039](#) [D1FH3-5063](#) [MBR0530L-TP](#) [MBR10100CT-BP](#) [MBR30H100MFST1G](#) [MMBD301M3T5G](#) [PMAD1103-LF](#) [PMAD1108-LF](#) [RB160M-50TR](#) [RB520S-30](#) [RB551V-30](#) [DD350N18K](#) [DZ435N40K](#) [DZ600N16K](#) [BAS16E6433HTMA1](#) [BAS 3010S-02LRH E6327](#) [BAT 54-02LRH E6327](#) [IDL02G65C5XUMA1](#) [NSR05F40QNXT5G](#) [NSVR05F40NXT5G](#) [JANS1N6640](#) [SB07-03C-TB-H](#) [SB1003M3-TL-W](#) [SBAT54CWT1G](#) [SBM30-03-TR-E](#) [SBS818-TL-E](#) [SK32A-LTP](#) [SK33A-TP](#) [SK34A-TP](#) [SK34B-TP](#) [SMD1200PL-TP](#) [ACDBN160-HF](#) [SS3003CH-TL-E](#) [STPS30S45CW](#) [PDS3100Q-7](#) [GA01SHT18](#) [CRS10I30A\(Te85L,QM\)](#) [MBR1240MFST1G](#) [MBRB30H30CT-1G](#) [BAS28E6433HTMA1](#) [BAS 70-02L E6327](#) [HSB123JTR-E](#) [JANTX1N5712-1](#) [VS-STPS40L45CW-N3](#) [DD350N12K](#) [SB007-03C-TB-E](#) [SB10015M-TL-E](#) [SB1003M3-TL-E](#) [SK110-LTP](#)