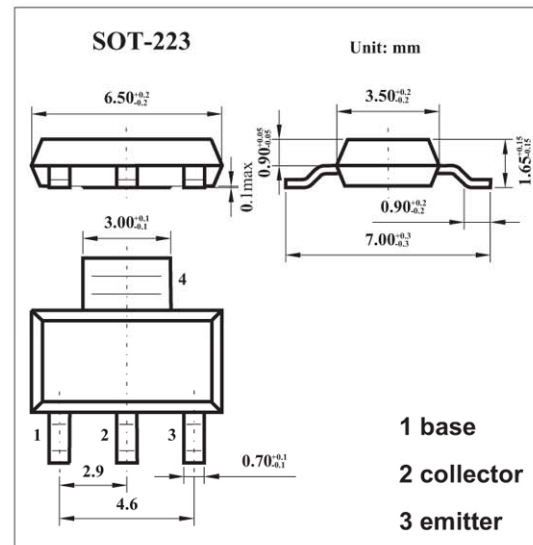


● Features

- High collector current
- 1.3 W power dissipation.



● Absolute Maximum Ratings Ta = 25°C

Parameter	Symbol	Rating	Unit
collector-base voltage	V _{CBO}	45	V
		60	V
		100	V
collector-emitter voltage	V _{CEO}	45	V
		60	V
		80	V
emitter-base voltage	V _{EB0}	5	V
collector current (DC)	I _C	1	A
peak collector current	I _{CM}	1.5	A
peak base current	I _{BM}	0.2	A
total power dissipation	P _{tot}	1.33	W
storage temperature	T _{stg}	-65 to +150	°C
junction temperature	T _j	150	°C
operating ambient temperature	T _{amb}	-65 to +150	°C
thermal resistance from junction to ambient	R _{th j-a}	94	K/W
thermal resistance from junction to soldering point	R _{th j-s}	13	K/W



● Electrical Characteristics Ta = 25°C

Parameter	Symbol	Testconditons	Min	Typ	Max	Unit
collector cut-off current	IcBO	IE = 0 A; VCB = 30 V			100	nA
		IE = 0 A; VCB = 30 V; Tj = 150 °C			10	μA
emitter cut-off current	IEBO	Ic = 0 A; VEB = 5 V			100	nA
DC current gain	hFE	Ic = 5 mA; VCE = 2 V	63			
		Ic = 150 mA; VCE = 2 V	63		250	
		Ic = 500 mA; VCE = 2 V	40			
DC current gain BCP54-10; BCP55-10; BCP56-10 BCP54-16; BCP55-16; BCP56-16	hFE	VCE = 2 V; Ic = 150 mA	63		160	
			100		250	
collector-emitter saturation voltage	VCEsat	Ic = 0.5 A; Ib = 50 mA			500	mV
base-emitter voltage	VBE	Ic = 0.5 A; VCE = 2 V			1	V
transition frequency	fT	Ic = 10 mA; VCE = 5 V; f = 100 MHz		130		MHz
DC current gain ratio of the complementary pairs	$\frac{h_{FE1}}{h_{FE2}}$	Ic = 150 mA; VCE = 2 V			1.6	



X-ON Electronics

Largest Supplier of Electrical and Electronic Components

Click to view similar products for [Bipolar Transistors - BJT category](#):

Click to view products by [Shikues manufacturer](#):

Other Similar products are found below :

[619691C](#) [MCH4017-TL-H](#) [MMBT-2369-TR](#) [BC546/116](#) [BC557/116](#) [BSW67A](#) [NJVMJD148T4G](#) [NTE123AP-10](#) [NTE153MCP](#) [NTE16](#)
[NTE195A](#) [NTE92](#) [C4460](#) [2N4401-A](#) [2N6728](#) [2SA1419T-TD-H](#) [2SA2126-E](#) [2SB1204S-TL-E](#) [2SC2712S-GR,LF](#) [2SC5488A-TL-H](#)
[2SD2150T100R](#) [SP000011176](#) [2N2907A](#) [2N3904-NS](#) [2N5769](#) [2SC2412KT146S](#) [2SD1816S-TL-E](#) [CPH6501-TL-E](#) [MCH4021-TL-E](#)
[MJE340](#) [US6T6TR](#) [NJL0281DG](#) [732314D](#) [CPH3121-TL-E](#) [CPH6021-TL-H](#) [873787E](#) [IMZ2AT108](#) [UMX21NTR](#) [MCH6102-TL-E](#)
[NJL0302DG](#) [2N3583](#) [30A02MH-TL-E](#) [NSV40301MZ4T1G](#) [NTE13](#) [NTE26](#) [NTE282](#) [NTE323](#) [NTE350](#) [NTE81](#) [STX83003-AP](#)