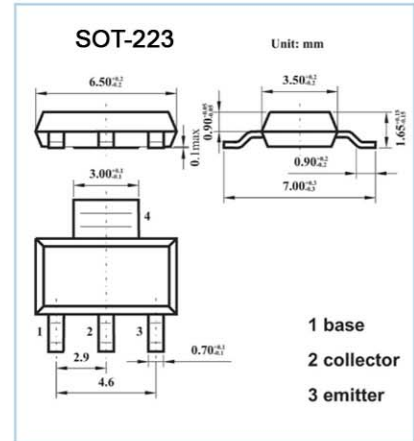


■ Features

- High current.
- Three current gain selections.
- 1.4 W total power dissipation.



■ Absolute Maximum Ratings Ta = 25°C

Parameter	Symbol	Rating	Unit
Collector-base voltage	V _{CB0}	-32	V
Collector-emitter voltage	V _{CE0}	-20	V
Emitter-base voltage	V _{EB0}	-5	V
Collector current (DC)	I _C	-1	A
Peak collector current	I _{CM}	-2	A
Peak base current	I _{BM}	-200	mA
Total power dissipation	P _{tot}		
* 1		0.625	W
* 2		1	W
* 3		1.4	W
Storage temperature	T _{stg}	-65 to +150	°C
Junction temperature	T _j	150	°C
Operating ambient temperature	T _{amb}	-65 to +150	°C
Thermal resistance from junction to ambient *	R _{th(j-a)}		
* 1		200	K/W
* 2		125	K/W
* 3		89	K/W
Thermal resistance from junction to solder point	R _{th(j-s)}	15	K/W

*1 Device mounted on a FR4 PCB; single-sided copper; tinplated; standard footprint for SOT223.

*2 Device mounted on a FR4 PCB; single-sided copper; tinplated; 1 cm² collector mounting pad.

*3 Device mounted on a FR4 PCB; single-sided copper; tinplated; 6 cm² collector mounting pad.

■ Electrical Characteristics Ta = 25°C

Parameter	Symbol	Testconditions	Min	Typ	Max	Unit
Collector cutoff current	IcBO	IE = 0 A; VCB = -25 V			-100	nA
		IE = 0 A; VCB = -25 V; Tj = 150 °C			-10	μA
Emitter cutoff current	IEBO	Ic = 0 A; VEB = -5 V			-100	nA
DC current gain	BCP69	VCE = -10 V; Ic = -5 mA	50			
		VCE = -1 V; Ic = -500 mA	85		375	
		VCE = -1 V; Ic = -1 A	60			
	BCP69-16	VCE = -1 V; Ic = -500 mA	100		250	
	BCP69-16/IN		140		230	
	BCP69-25		160		375	
Collector-emitter saturation voltage	VCEsat	Ic = -1 A; IB = -100 mA;			-500	mV
Base-emitter voltage	VBE	VCE = -10 V; Ic = -5 mA			-700	mV
		VCE = -1 V; Ic = -1 A			-1	V
Collector capacitance	Cc	IE = ie = 0 A; VCB = -10 V; f = 1 MHz		28		pF
Transition frequency	fr	Ic = -50 mA; VCE = -5 V; f = 100 MHz	40	140		MHz

X-ON Electronics

Largest Supplier of Electrical and Electronic Components

Click to view similar products for [Bipolar Transistors - BJT category](#):

Click to view products by [Shikues manufacturer](#):

Other Similar products are found below :

[619691C](#) [MCH4017-TL-H](#) [MJ15024/WS](#) [MJ15025/WS](#) [BC546/116](#) [BC556/FSC](#) [BC557/116](#) [BSW67A](#) [HN7G01FU-A\(T5L,F,T](#)
[NJVMJD148T4G](#) [NSVMMBT6520LT1G](#) [NTE187A](#) [NTE195A](#) [NTE2302](#) [NTE2330](#) [NTE2353](#) [NTE316](#) [IMX9T110](#) [NTE63](#) [NTE65](#)
[C4460](#) [SBC846BLT3G](#) [2SA1419T-TD-H](#) [2SA1721-O\(TE85L,F\)](#) [2SA1727TLP](#) [2SA2126-E](#) [2SB1202T-TL-E](#) [2SB1204S-TL-E](#) [2SC5488A-](#)
[TL-H](#) [2SD2150T100R](#) [SP000011176](#) [FMC5AT148](#) [2N2369ADCSM](#) [2SB1202S-TL-E](#) [2SC2412KT146S](#) [2SC4618TLN](#) [2SC5490A-TL-H](#)
[2SD1816S-TL-E](#) [2SD1816T-TL-E](#) [CMXT2207 TR](#) [CPH6501-TL-E](#) [MCH4021-TL-E](#) [BC557B](#) [TTC012\(Q\)](#) [BULD128DT4](#) [JANTX2N3810](#)
[Jantx2N5416](#) [US6T6TR](#) [KSF350](#) [068071B](#)