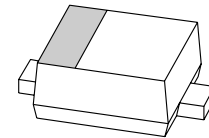


Low VF Schottky barrier rectifier

Features

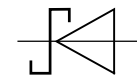
- Forward current: $I_F \leq 0.5\text{A}$
- Reverse voltage: $V_R \geq 40\text{V}$
- Very low forward voltage
- Ultra small and flat lead SMD plastic package



SOD-523
Marking: KV

Application

- Low voltage rectification
- High efficiency DC-to-DC conversion
- Switch mode power supply
- Reverse polarity protection
- Low power consumption applications



Symbol

Electrical Characteristic $T_a=25^\circ\text{C}$

Parameter	Symbol	Spec. Limit			Unit
		Min.	Typ.	Max.	
Max. Repetitive Peak Reverse Voltage @0.5mA	V_{RRM}	40	50		V
Max. Average Forward Rectified Current	$I_{F(AV)}$			0.5	A
Forward Voltage Drop @ $I_F=0.5\text{A}$ @25°C	V_F		0.44	0.49	V
Max. Reverse Current at V_{RRM} @40V @25°C	I_R		50	150	μA
Operating Temperature Range	T_J	-55		+125	°C
Storage Temperature Range	T_{STG}	-55		+150	°C

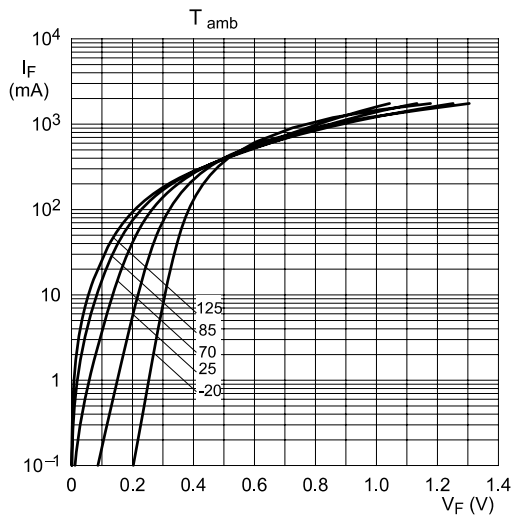


Fig 1. Forward current as a function of forward voltage; typical values

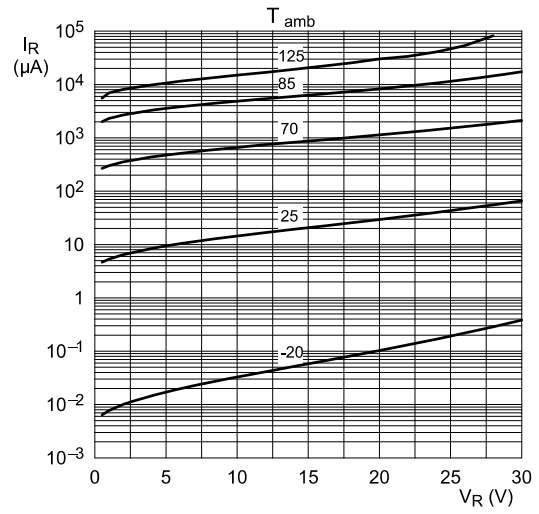
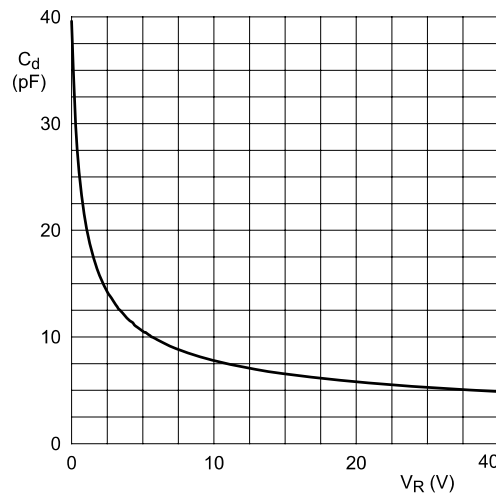


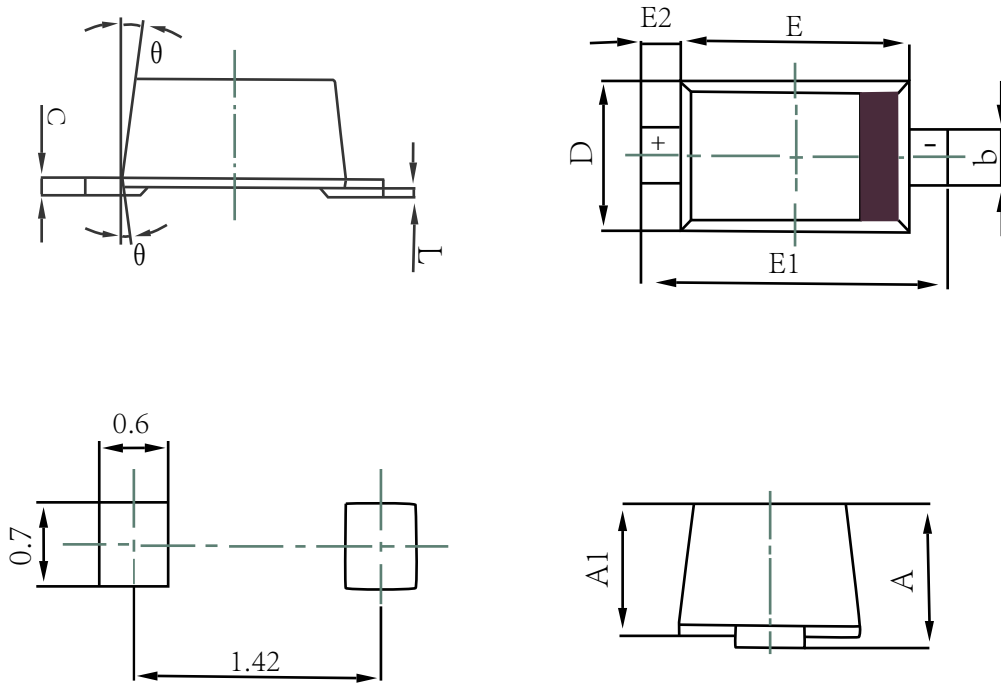
Fig 2. Reverse current as a function of reverse voltage; typical values



$f = 1$ MHz; $T_{amb} = 25$ C
Fig 3. Diode capacitance as a function of reverse voltage; typical values

Package Dimensions

SOD-523



Unit	A	A1	b	c	D	E	E1	E2	L	θ
Max.	0.77	0.70	0.35	0.15	0.85	1.30	1.70	0.20 REF.	0.07	7° REF.
Min.	0.51	0.50	0.25	0.08	0.75	1.10	1.50		0.01	

X-ON Electronics

Largest Supplier of Electrical and Electronic Components

Click to view similar products for [Schottky Diodes & Rectifiers](#) category:

Click to view products by [Shikues](#) manufacturer:

Other Similar products are found below :

[MA4E2039](#) [MA4E2508M-1112](#) [MBR10100CT-BP](#) [MBR1545CT](#) [MMBD301M3T5G](#) [GS1JE-TP](#) [RB160M-50TR](#) [BAS 3010S-02LRH E6327](#)
[BAT 54-02LRH E6327](#) [NSR05F40QNXT5G](#) [NSVR05F40NXT5G](#) [NTE555](#) [JANS1N6640](#) [SB07-03C-TB-H](#) [SBS818-TL-E](#) [SK310-T](#)
[SK33A-TP](#) [SK34B-TP](#) [SS3003CH-TL-E](#) [PDS3100Q-7](#) [GA01SHT18](#) [CRS10I30A\(TE85L,QM](#) [MA4E2501L-1290](#) [MBRB30H30CT-1G](#)
[DMJ3940-000](#) [SB007-03C-TB-E](#) [SK32A-TP](#) [SK33B-TP](#) [SK35A-TP](#) [SK38B-LTP](#) [SK38B-TP](#) [NRVBM120LT1G](#) [NTE505](#)
[NTSB30U100CT-1G](#) [SS0503SH-TL-E](#) [VS-6CWQ10FNHM3](#) [CRG04\(T5L,TEMQ\)](#) [ACDBA1100LR-HF](#) [ACDBA1200-HF](#) [ACDBA2100-HF](#)
[ACDBA240-HF](#) [ACDBA3100-HF](#) [CDBQC0530L-HF](#) [ACDBA260LR-HF](#) [ACDBA1100-HF](#) [MA4E2502L-1246](#) [10BQ060-M3/5BT](#)
[NRVB130LSFT1G](#) [CRS08TE85LQM](#) [PMAD1108-LF](#)