

## ● FEATURES

### Power dissipation

$P_{CM} : 0.3 \text{ W (} T_{amb}=25^{\circ}\text{C)}$

### Collector current

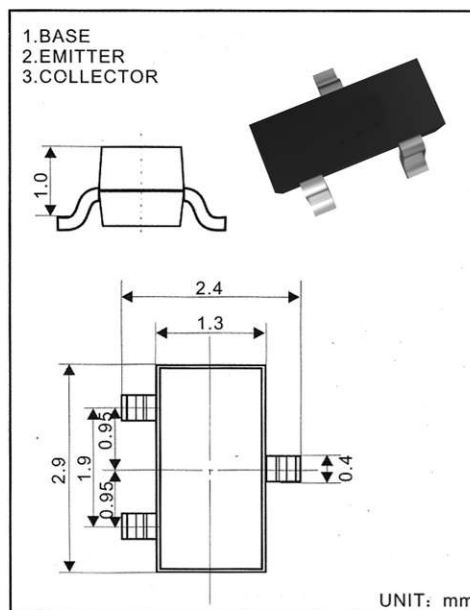
$I_{CM} : -0.5 \text{ A}$

### Collector-base voltage

$V_{(BR)CBO} : -40\text{V}$

### Operating and storage junction temperature range

$T_J, T_{stg} : -55^{\circ}\text{C to } +150^{\circ}\text{C}$



## ● ELECTRICAL CHARACTERISTICS

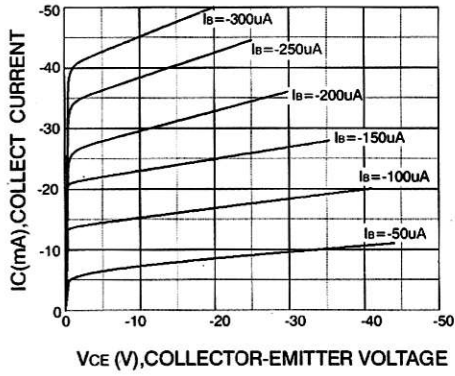
( $T_{amp}=25^{\circ}\text{C}$  unless otherwise specified)

Parameter	Symbol	Test conditions	MIN	TYP	MAX	UNIT
Collector-base breakdown voltage	$V_{(BR)CBO}$	$I_C=-100 \mu\text{A}, I_E=0$	-40			V
Collector-emitter breakdown voltage	$V_{(BR)CEO}$	$I_C=-0.1\text{mA}, I_B=0$	-25			V
Emitter-base breakdown voltage	$V_{(BR)EBO}$	$I_E=-100 \mu\text{A}, I_C=0$	-5			V
Collector cut-off current	$I_{CBO}$	$V_{CB}=-40\text{V}, I_E=0$			-0.1	$\mu\text{A}$
	$I_{CEO}$	$V_{CE}=-20\text{V}, I_B=0$			-0.1	$\mu\text{A}$
Emitter cut-off current	$I_{EBO}$	$V_{EB}=-5\text{V}, I_C=0$			-0.1	$\mu\text{A}$
DC current gain	$h_{FE(1)}$	$V_{CE}=-1\text{V}, I_C=-50\text{mA}$	120		350	
	$h_{FE(2)}$	$V_{CE}=-1\text{V}, I_C=-500\text{mA}$	40			
Collector-emitter saturation voltage	$V_{CEsat}$	$I_C=-500\text{mA}, I_B=-50\text{mA}$			-0.6	V
Base-emitter saturation voltage	$V_{BEsat}$	$I_C=-500\text{mA}, I_B=-50\text{mA}$			-1.2	V
Base-emitter voltage	$V_{BEF}$	$I_E=-100\text{mA}$			-1.4	V
Transition frequency	$f_T$	$V_{CE}=-6\text{V}, I_C=-20\text{mA}$ $f=30\text{MHz}$	150			MHz

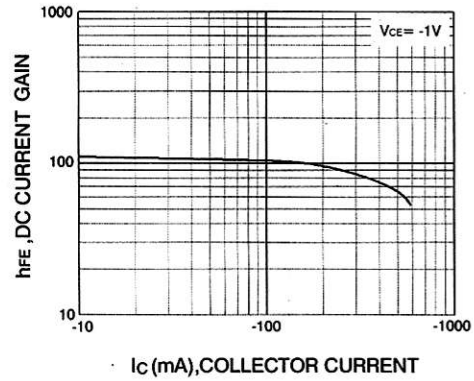
## ● CLASSIFICATION OF $h_{FE(1)}$

Rank	L	H
Range	120-200	200-350

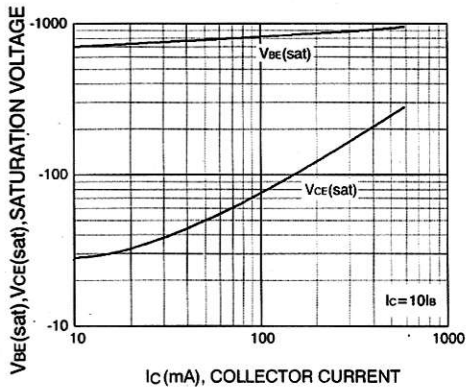




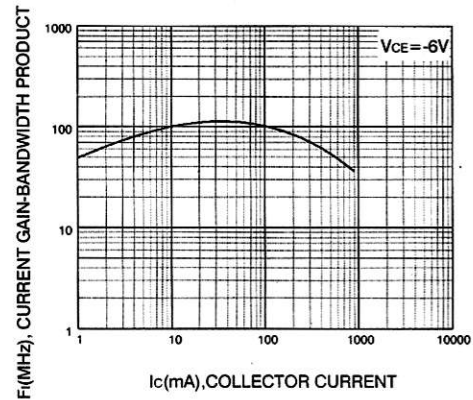
**Static Characteristic**



**DC current Gain**



**Base-Emitter Saturation Voltage  
Collector-Emitter Saturation Voltage**



**Current Gain Bandwidth Product**



## X-ON Electronics

Largest Supplier of Electrical and Electronic Components

*Click to view similar products for [Bipolar Transistors - BJT category](#):*

*Click to view products by [Shikues manufacturer](#):*

Other Similar products are found below :

[619691C](#) [MCH4017-TL-H](#) [MMBT-2369-TR](#) [BC546/116](#) [BC557/116](#) [BSW67A](#) [NJVMJD148T4G](#) [NTE123AP-10](#) [NTE153MCP](#) [NTE16](#)  
[NTE195A](#) [NTE92](#) [C4460](#) [2N4401-A](#) [2N6728](#) [2SA1419T-TD-H](#) [2SA2126-E](#) [2SB1204S-TL-E](#) [2SC2712S-GR,LF](#) [2SC5488A-TL-H](#)  
[2SD2150T100R](#) [SP000011176](#) [2N2907A](#) [2N3904-NS](#) [2N5769](#) [2SC2412KT146S](#) [2SD1816S-TL-E](#) [CPH6501-TL-E](#) [MCH4021-TL-E](#)  
[MJE340](#) [US6T6TR](#) [NJL0281DG](#) [732314D](#) [CPH3121-TL-E](#) [CPH6021-TL-H](#) [873787E](#) [IMZ2AT108](#) [UMX21NTR](#) [MCH6102-TL-E](#)  
[NJL0302DG](#) [2N3583](#) [30A02MH-TL-E](#) [NSV40301MZ4T1G](#) [NTE13](#) [NTE26](#) [NTE282](#) [NTE323](#) [NTE350](#) [NTE81](#) [STX83003-AP](#)