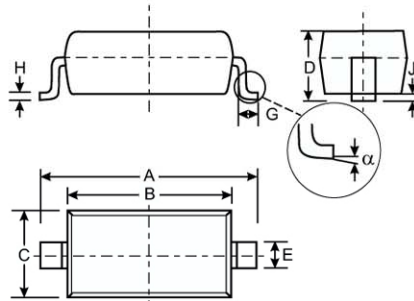


## ●Features

Low Forward Voltage Drop  
Guard Ring Construction for Transient Protection  
Negligible Reverse Recovery Time

## ●Mechanical Data

Case: SOD-123, Plastic  
Case material - UL Flammability Rating  
Classification 94V-0  
Moisture sensitivity: Level 1 per J-STD-020A  
Polarity: Cathode Band  
Leads: Solderable per MIL-STD-202, Method 208  
Weight: 0.01 grams (approx.)



SOD-123		
Dim	Min	Max
A	3.55	3.85
B	2.55	2.85
C	1.40	1.70
D	—	1.35
E	0.55 Typical	
G	0.25	—
H	0.11 Typical	
J	—	0.10
$\alpha$	0°	8°
All Dimensions in mm		

## ●Maximum Ratings @ $T_A = 25^\circ\text{C}$ unless otherwise specified

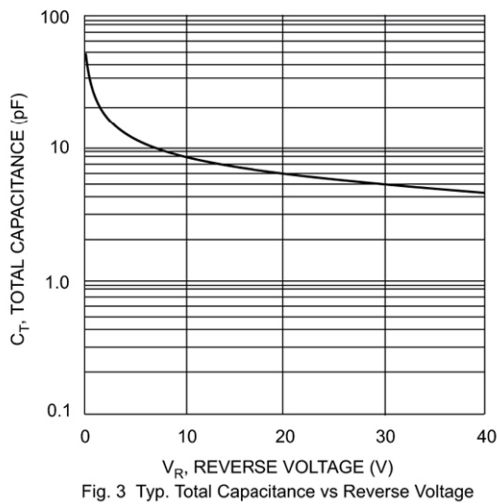
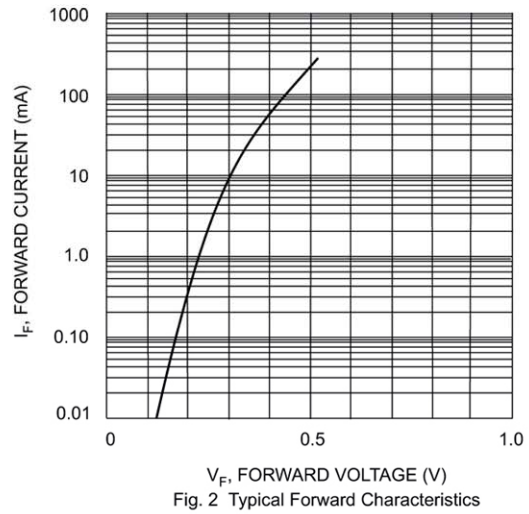
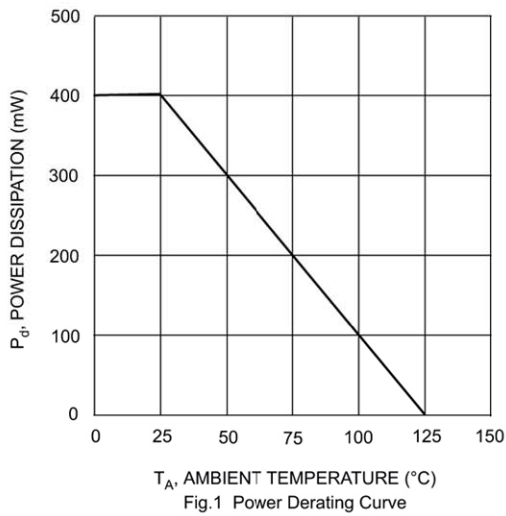
Characteristic	Symbol	SD103AW	SD103BW	SD103CW	Unit
Peak Repetitive Reverse Voltage Working Peak Reverse Voltage DC Blocking Voltage	$V_{RRM}$ $V_{RWM}$ $V_R$	40	30	20	V
RMS Reverse Voltage	$V_{R(RMS)}$	28	21	14	V
Forward Continuous Current (Note 1)	$I_{FM}$	350			mA
Non-Repetitive Peak Forward Surge Current @ $t \leq 1.0\text{s}$	$I_{FSM}$	1.5			A
Power Dissipation (Note 1)	$P_d$	400			mW
Thermal Resistance, Junction to Ambient Air (Note 1)	$R_{\theta JA}$	300			$^\circ\text{C/W}$
Operating and Storage Temperature Range	$T_j, T_{STG}$	-65 to +125			$^\circ\text{C}$

## ●Electrical Characteristics @ $T_A = 25^\circ\text{C}$ unless otherwise specified

Characteristic	Symbol	Min	Typ	Max	Unit	Test Condition
Reverse Breakdown Voltage (Note 2)	$V_{(BR)R}$	40 30 20	—	—	V	$I_R = 100\mu\text{A}$
Forward Voltage Drop (Note 2)	$V_{FM}$	—	—	0.37 0.60	V	$I_F = 20\text{mA}$ $I_F = 200\text{mA}$
Peak Reverse Current (Note 2)	$I_{RM}$	—	—	5.0	$\mu\text{A}$	$V_R = 30\text{V}$ $V_R = 20\text{V}$ $V_R = 10\text{V}$
Total Capacitance	$C_T$	—	50	—	pF	$V_R = 0\text{V}, f = 1.0\text{MHz}$
Reverse Recovery Time	$t_{rr}$	—	10	—	ns	$I_F = I_R = 200\text{mA}$ , $I_{rr} = 0.1 \times I_R, R_L = 100\Omega$

- Notes: 1. Part mounted on FR-4 board with recommended pad layout.  
2. Short duration test pulse used to minimize self-heating effect.





### Ordering Information

Device	Packaging	Shipping
SD103AW	SOD-123	3000/Tape and Reel
SD103BW	SOD-123	3000/Tape and Reel
SD103CW	SOD-123	3000/Tape and Reel



## X-ON Electronics

Largest Supplier of Electrical and Electronic Components

*Click to view similar products for [Schottky Diodes & Rectifiers](#) category:*

*Click to view products by [Shikues](#) manufacturer:*

Other Similar products are found below :

[MA4E2039](#) [MA4E2508M-1112](#) [MBR10100CT-BP](#) [MBR1545CT](#) [MMBD301M3T5G](#) [GS1JE-TP](#) [RB160M-50TR](#) [BAS 3010S-02LRH E6327](#)  
[BAT 54-02LRH E6327](#) [NSR05F40QNXT5G](#) [NSVR05F40NXT5G](#) [NTE555](#) [JANS1N6640](#) [SB07-03C-TB-H](#) [SB1003M3-TL-W](#)  
[SBAT54CWT1G](#) [SBM30-03-TR-E](#) [SK310-T](#) [SK33A-TP](#) [SK34B-TP](#) [SS3003CH-TL-E](#) [PDS3100Q-7](#) [GA01SHT18](#) [CRS10I30A\(TE85L,QM](#)  
[MA4E2501L-1290](#) [MBRB30H30CT-1G](#) [BAS 70-02L E6327](#) [DMJ3940-000](#) [SB007-03C-TB-E](#) [SB10015M-TL-E](#) [SB1003M3-TL-E](#) [SK32A-](#)  
[TP](#) [SK33B-TP](#) [SK35A-TP](#) [SK38B-LTP](#) [SK38B-TP](#) [NTE505](#) [NTSB30U100CT-1G](#) [VS-6CWQ10FNHM3](#) [CRG04\(T5L,TEMQ\)](#)  
[ACDBA1100LR-HF](#) [ACDBA1200-HF](#) [ACDBA140-HF](#) [ACDBA2100-HF](#) [ACDBA240-HF](#) [ACDBA3100-HF](#) [CDBQC0530L-HF](#) [BAT54-](#)  
[13-F](#) [ACDBA340-HF](#) [ACDBA260LR-HF](#)