

1500V N-ch High Planar MOSFET

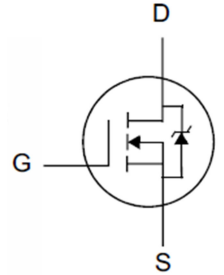
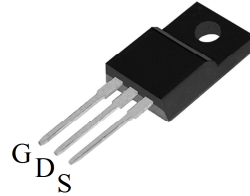
General Features

- RoHS Compliant
- $R_{DS(ON),typ.}=5.4\ \Omega@V_{GS}=10V$
- Low Gate Charge Minimize Switching Loss
- Fast Recovery Body Diode

BV_{DSS}	$R_{DS(ON),typ.}$	I_D
1500V	5.4 Ω	3A

Applications

- Adaptor
- Charger
- SMPS Standby Power



Ordering Information

Part Number	Package
SK03N150-TF	TO-220F

TO-220F

Package No to Scale

Absolute Maximum Ratings

$T_C=25^\circ\text{C}$ unless otherwise specified

Symbol	Parameter			Unit
V_{DSS}	Drain-to-Source Voltage	1500		V
V_{GSS}	Gate-to-Source Voltage	± 30		
I_D	Continuous Drain Current	3		A
I_{DM}	Pulsed Drain Current at $V_{GS}=10V$	12		
E_{AS}	Single Pulse Avalanche Energy, $L=30mH$	500		mJ
P_D	Power Dissipation	90	35	W
	Derating Factor above 25°C	0.72	0.28	W/ $^\circ\text{C}$
T_L	Soldering Temperature Distance of 1.6mm from case for 10 seconds	300		$^\circ\text{C}$
$T_J \& T_{STG}$	Operating and Storage Temperature Range	-55 to 150		

Caution: Stresses greater than those listed in the "Absolute Maximum Ratings" may cause permanent damage to the device.

Thermal Characteristics

Symbol	Parameter			Unit
$R_{\theta JC}$	Thermal Resistance, Junction-to-Case	1.38	3.57	$^\circ\text{C}/\text{W}$
$R_{\theta JA}$	Thermal Resistance, Junction-to-Ambient	50	100	

Electrical Characteristics

OFF Characteristics

$T_J = 25^\circ\text{C}$ unless otherwise specified

Symbol	Parameter	Min.	Typ.	Max.	Unit	Test Conditions
BV_{DSS}	Drain-to-Source Breakdown Voltage	1500	--	--	V	$V_{GS}=0V, I_D=250\mu A$
I_{DSS}	Drain-to-Source Leakage Current	--	--	1	μA	$V_{DS}=1500V, V_{GS}=0V$
		--	--	500		$V_{DS}=1200V, V_{GS}=0V, T_J=125^\circ\text{C}$
I_{GSS}	Gate-to-Source Leakage Current	--	--	+100	nA	$V_{GS}=+30V, V_{DS}=0V$
		--	--	-100		$V_{GS}=-30V, V_{DS}=0V$

ON Characteristics

$T_J = 25^\circ\text{C}$ unless otherwise specified

Symbol	Parameter	Min.	Typ.	Max.	Unit	Test Conditions
$R_{DS(ON)}$	Static Drain-to-Source On-Resistance	--	5.4	8.2	Ω	$V_{GS}=10V, I_D=2.0A$
$V_{GS(TH)}$	Gate Threshold Voltage	2.5	--	4.5	V	$V_{DS}=V_{GS}, I_D=250\mu A$
gfs	Forward Transconductance	--	3.0	--	S	$V_{DS}=15V, I_D=3A$

Dynamic Characteristics

Essentially independent of operating temperature

Symbol	Parameter	Min.	Typ.	Max.	Unit	Test Conditions
C_{iss}	Input Capacitance	--	1600	--	pF	$V_{GS}=0V, V_{DS}=25V, f=1.0MHz$
C_{rss}	Reverse Transfer Capacitance	--	33	--		
C_{oss}	Output Capacitance	--	100	--		
R_g	Gate input resistance	--	4.5	--	Ω	$f=1\text{ MHz}$ Gate DC Bias=0 Test signal level=20mV open drain
Q_g	Total Gate Charge	--	36	--	nC	$V_{DD}=750V, I_D=3A, V_{GS}=0\text{ to }10V$
Q_{gs}	Gate-to-Source Charge	--	9.5	--		
Q_{gd}	Gate-to-Drain (Miller) Charge	--	12	--		

Resistive Switching Characteristics

Essentially independent of operating temperature

Symbol	Parameter	Min.	Typ.	Max.	Unit	Test Conditions
$t_{d(ON)}$	Turn-on Delay Time	--	25	--	nS	$V_{DD}=750V, I_D=3A, V_{GS}=10V, R_g=4.7\Omega$
t_{rise}	Rise Time	--	48	--		
$t_{d(OFF)}$	Turn-Off Delay Time	--	57	--		
t_{fall}	Fall Time	--	52	--		

Source-Drain Body Diode Characteristics T_J=25°C unless otherwise specified

Symbol	Parameter	Min	Typ.	Max.	Unit	Test Conditions
I _{SD}	Continuous Source Current ^[2]	--	--	3	A	Integral pn-diode in MOSFET
I _{SM}	Pulsed Source Current ^[2]	--	--	12		
V _{SD}	Diode Forward Voltage	--	--	1.5	V	I _S =3A, V _{GS} =0V
t _{rr}	Reverse Recovery Time	--	255	--	ns	V _{GS} =0V I _F =3A, di/dt=100A/μs
Q _{rr}	Reverse Recovery Charge	--	1.1	--	uC	

Typical Characteristics

Figure 1. Maximum Transient Thermal Impedance

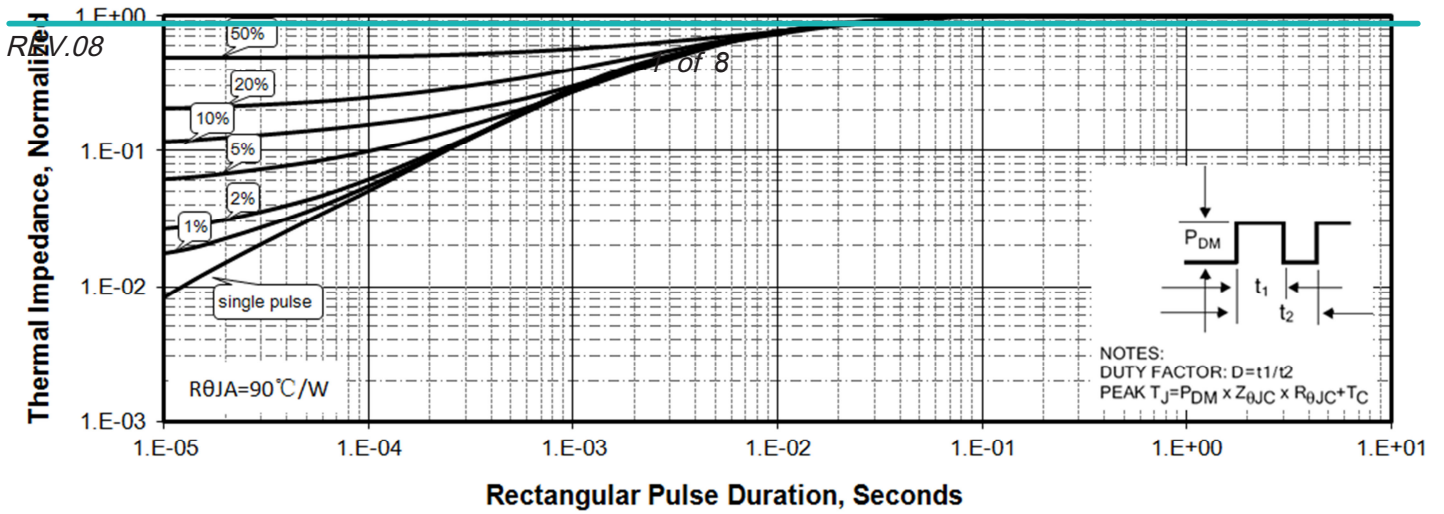


Figure 2 . Max. Power Dissipation vs Case Temperature

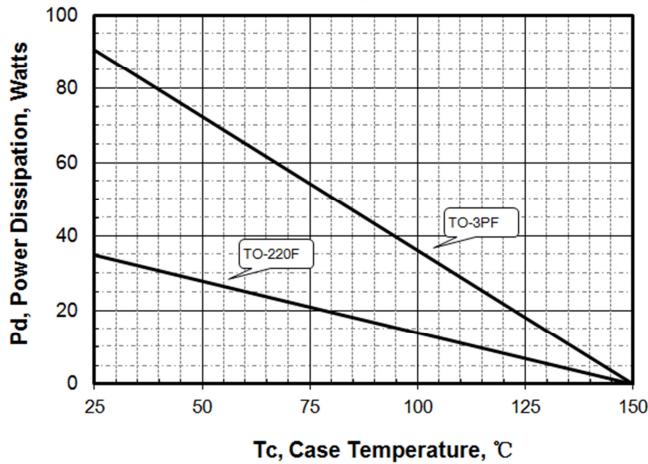


Figure 3 .Maximum Continuous Drain Current vs T_c

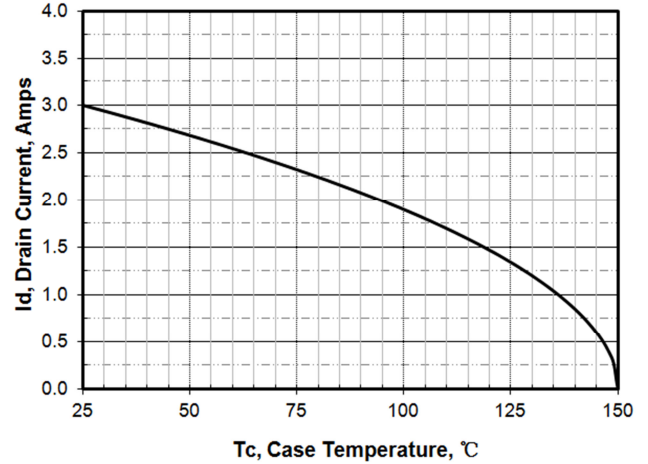


Figure 4. Output Characteristics

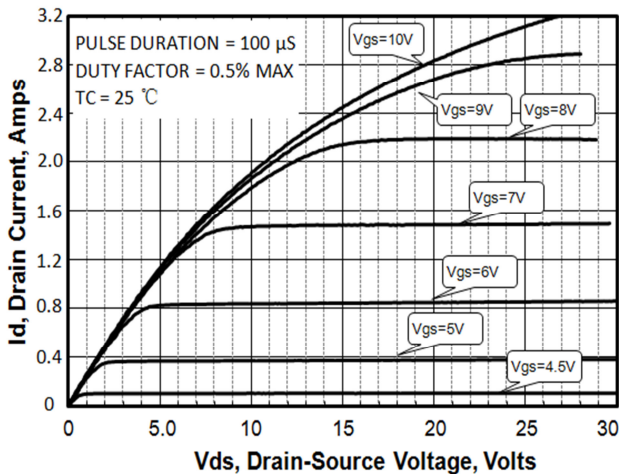
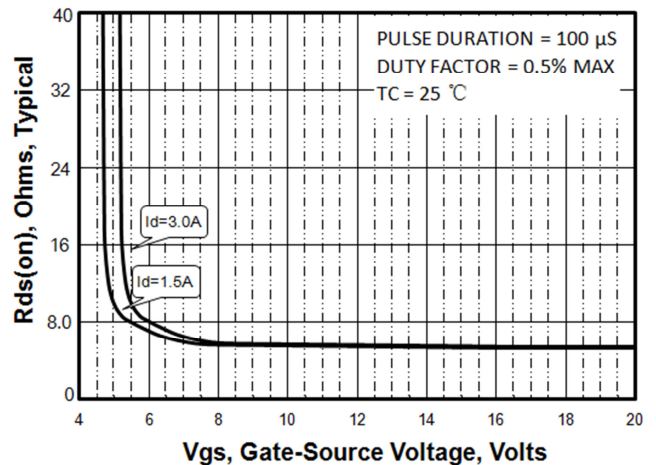


Figure 5. $R_{ds(on)}$ vs Gate Voltage



Typical Characteristics(Cont.)

Figure 6. Peak Current Capability

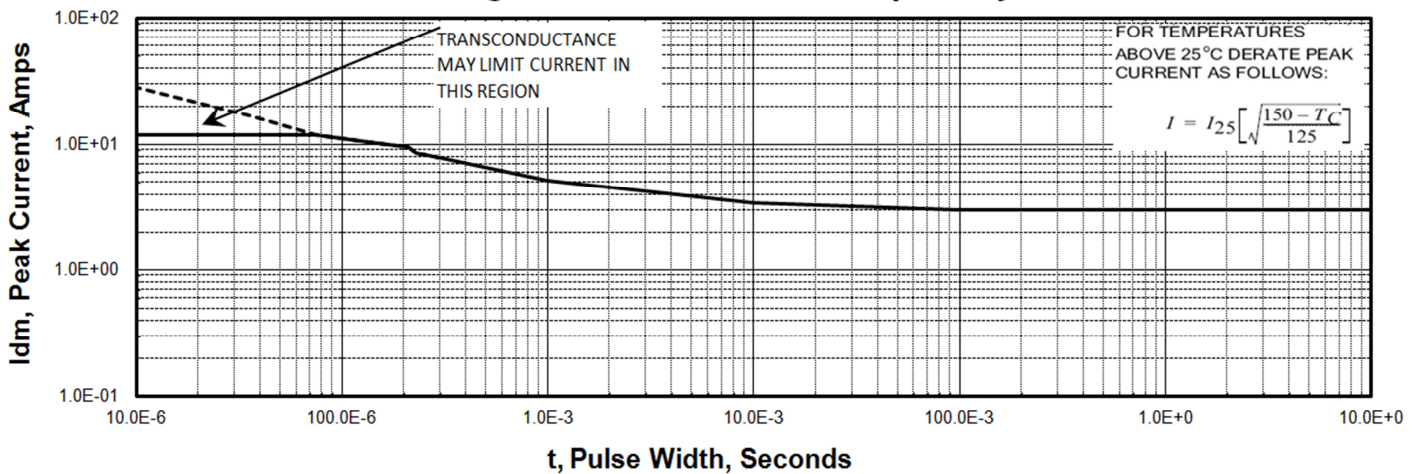


Figure 7. Transfer Characteristics

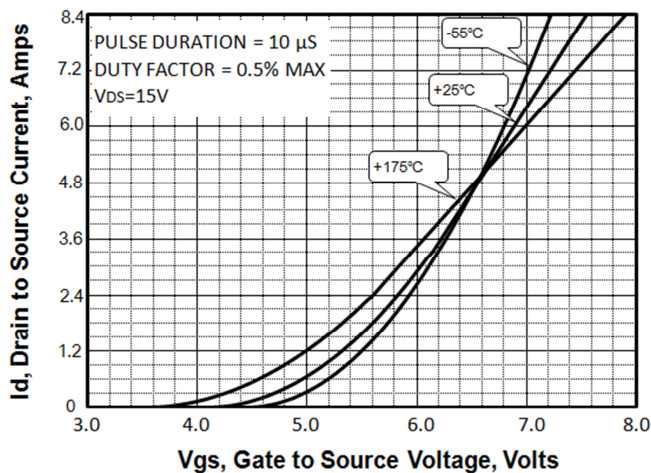


Figure 8. Unclamped Inductive Switching Capability

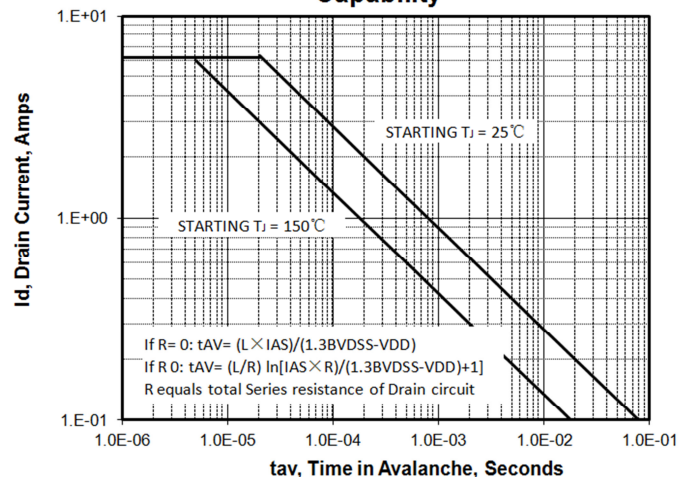


Figure 9. Drain to Source ON Resistance vs Drain Current

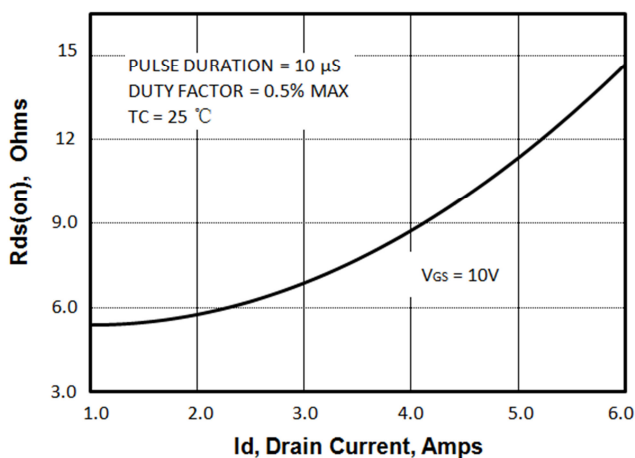
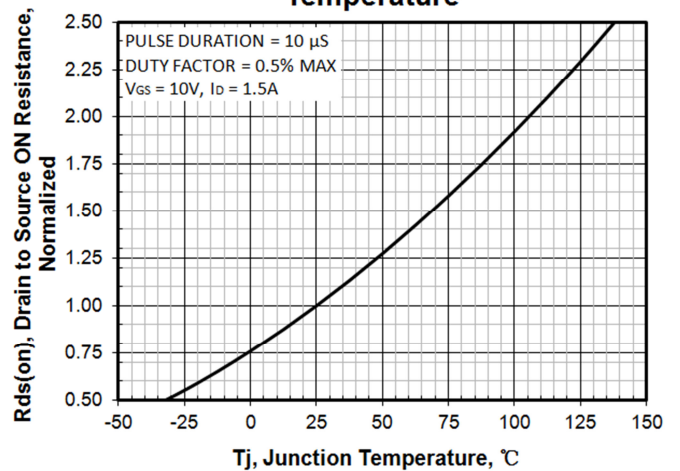


Figure 10. Rds(on) vs Junction Temperature



Typical Characteristics (Cont.)

Figure 11. Breakdown Voltage vs Temperature

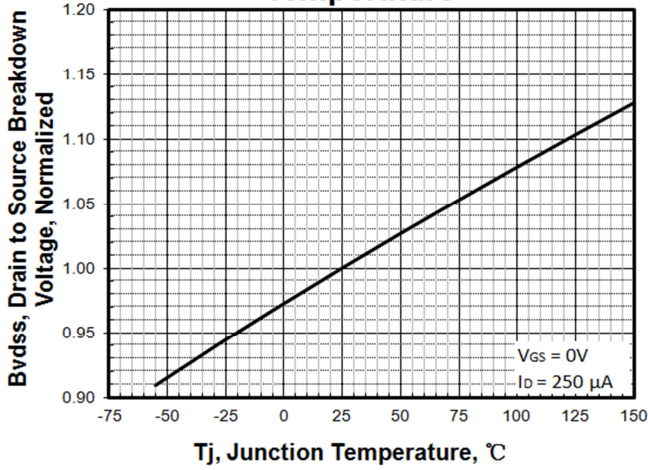


Figure 12. Threshold Voltage vs Temperature

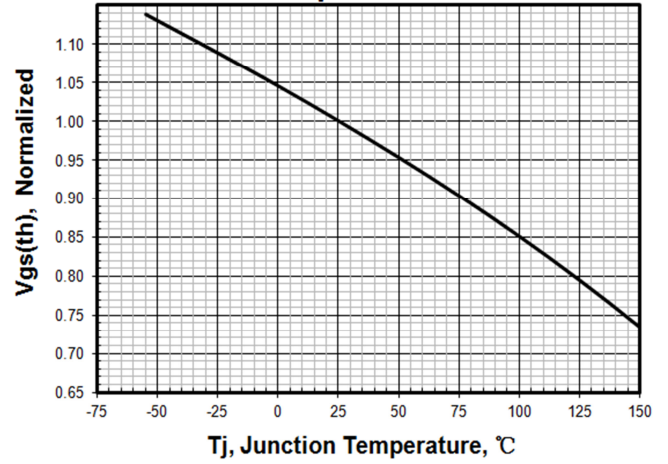


Figure 13 . Maximum Safe Operating Area(TO-3PF)

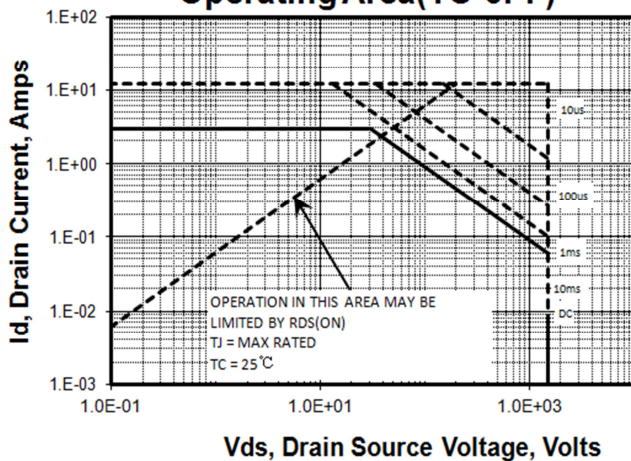


Figure 14 . Maximum Safe Operating Area(TO-220F)

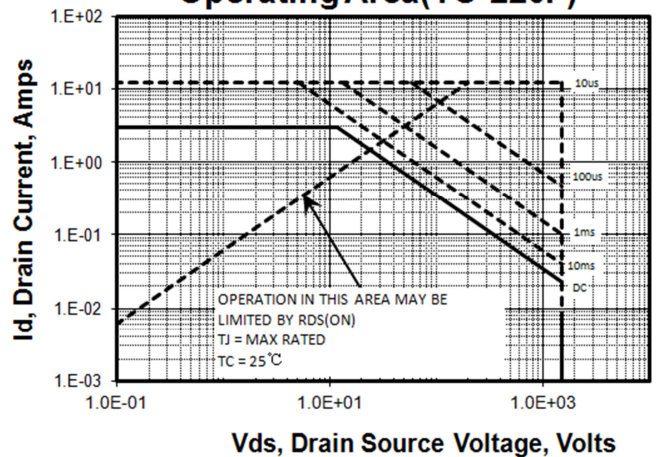


Figure 15. Capacitance vs Vds

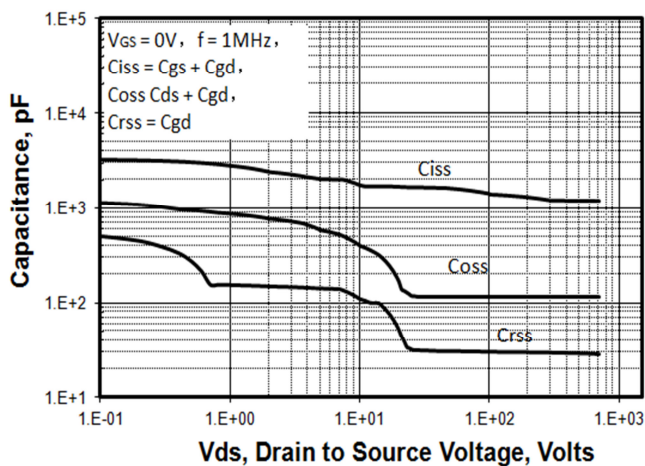
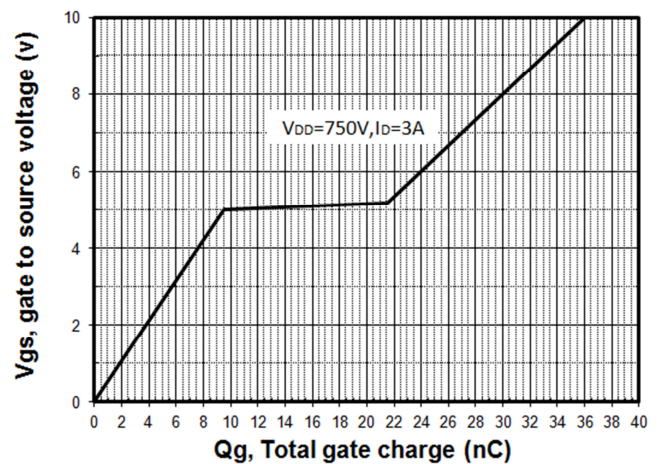


Figure 16 . Typical Gate Charge



Test Circuits and Waveforms

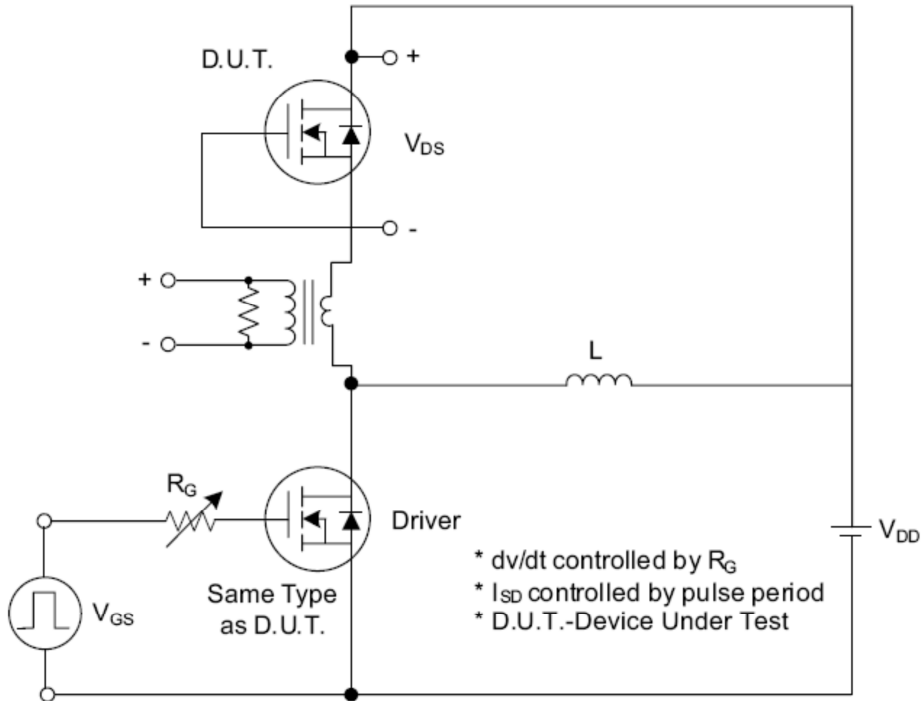


Fig. 1.1 Peak Diode Recovery dv/dt Test Circuit

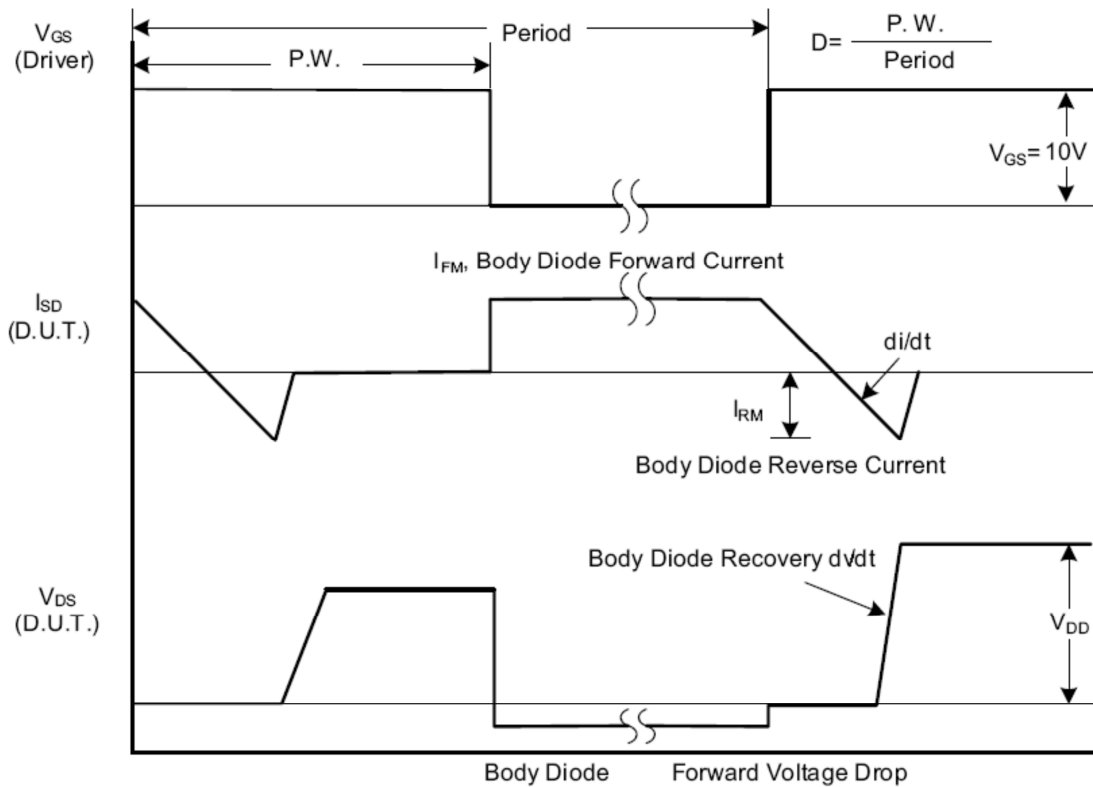


Fig. 1.2 Peak Diode Recovery dv/dt Waveforms

Test Circuits and Waveforms (Cont.)

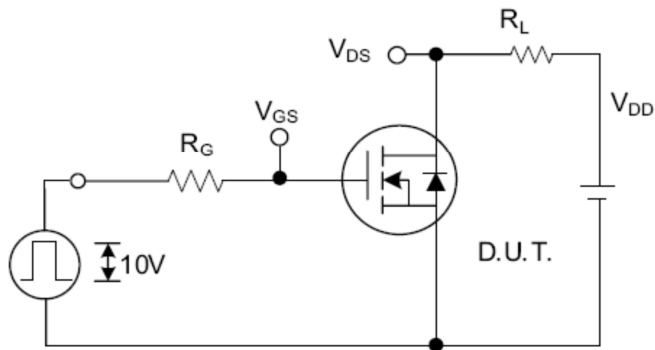


Fig. 2.1 Switching Test Circuit

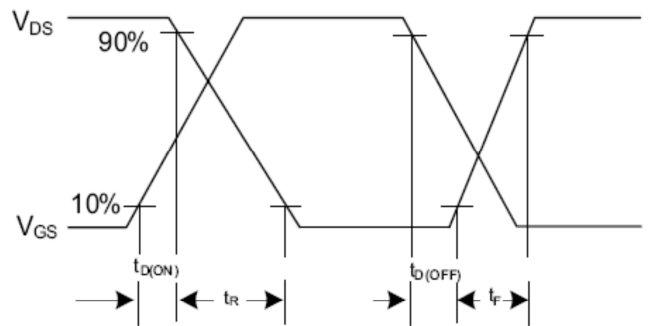


Fig. 2.2 Switching Waveforms

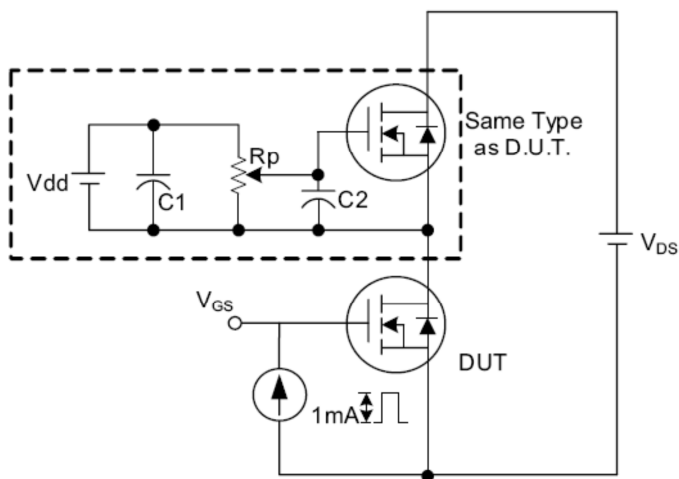


Fig. 3.1 Gate Charge Test Circuit

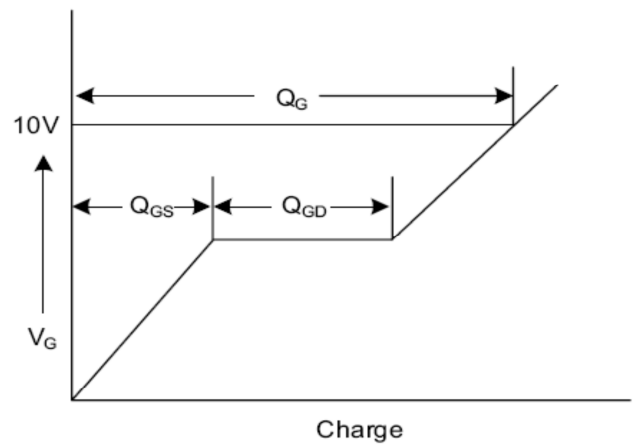


Fig. 3.2 Gate Charge Waveform

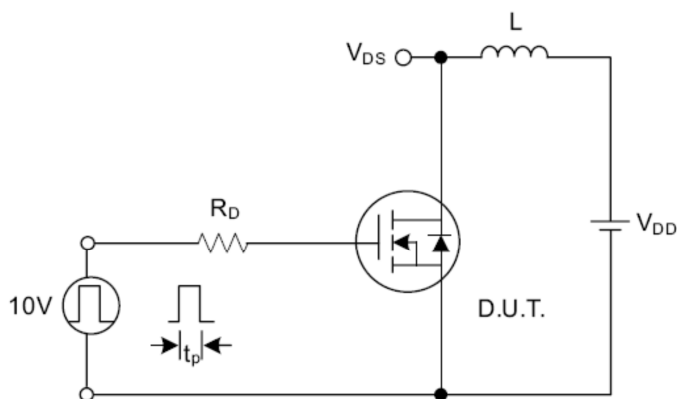


Fig. 4.1 Unclamped Inductive Switching Test Circuit

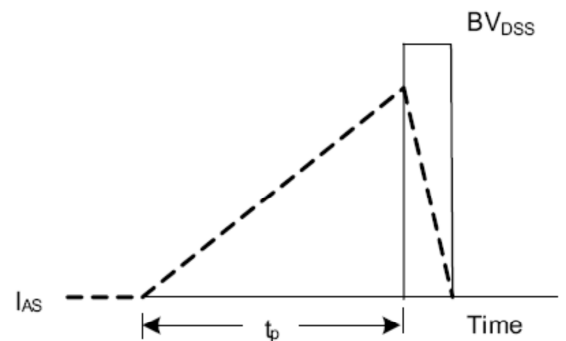


Fig. 4.2 Unclamped Inductive Switching Waveforms

X-ON Electronics

Largest Supplier of Electrical and Electronic Components

Click to view similar products for [MOSFET](#) category:

Click to view products by [Shikues](#) manufacturer:

Other Similar products are found below :

[IRFD120](#) [JANTX2N5237](#) [BUK455-60A/B](#) [MIC4420CM-TR](#) [VN1206L](#) [NDP4060](#) [SI4482DY](#) [IPS70R2K0CEAKMA1](#) [SQD23N06-31L-GE3](#)
[TK16J60W,S1VQ\(O](#) [2SK2614\(TE16L1,Q\)](#) [DMN1017UCP3-7](#) [DMN1053UCP4-7](#) [SQJ469EP-T1-GE3](#) [NTE2384](#) [DMC2700UDMQ-7](#)
[DMN2080UCB4-7](#) [DMN61D9UWQ-13](#) [US6M2GTR](#) [DMN31D5UDJ-7](#) [DMP22D4UFO-7B](#) [DMN1006UCA6-7](#) [DMN16M9UCA6-7](#)
[STF5N65M6](#) [IRF40H233XTMA1](#) [STU5N65M6](#) [DMN6022SSD-13](#) [DMN13M9UCA6-7](#) [DMTH10H4M6SPS-13](#) [DMN2990UFB-7B](#)
[IPB80P04P405ATMA2](#) [2N7002W-G](#) [MCAC30N06Y-TP](#) [MCQ7328-TP](#) [BXP7N65D](#) [BXP4N65F](#) [AOL1454G](#) [WMJ80N60C4](#) [BXP2N20L](#)
[BXP2N65D](#) [BXT1150N10J](#) [BXT1700P06M](#) [TSM60NB380CP ROG](#) [RQ7L055BGTCR](#) [DMNH15H110SK3-13](#) [SLF10N65ABV2](#)
[BSO203SP](#) [BSO211P](#) [IPA60R230P6](#) [IPA60R460CE](#)