

## 1500V,9A N-Channel MOSFET

### DESCRIPTION

- High speed switch
- Extremely low threshold voltage
- Ultra High Volatge
- Low On-Resistance

### FEATURES

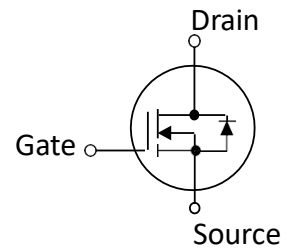
- $BV_{DSS} \geq 1500V$
- $I_D = 9A$
- $R_{DS(ON)} \leq 4.2m\Omega @ V_{GS}=10V$

$BV_{DSS}$	$R_{DS(ON),typ.}$	$I_D$
1500V	4.2m $\Omega$	9A



TO-247

Package



### Application

- Portable appliances
- Hard switched and high frequency circuits
- Power management
- Uninterruptible power supply

### Ordering Information

Part Number	Package
SK09N150-T7	TO-247

### Absolute Maximum Ratings (T<sub>c</sub>=25°C Unless Otherwise Noted)

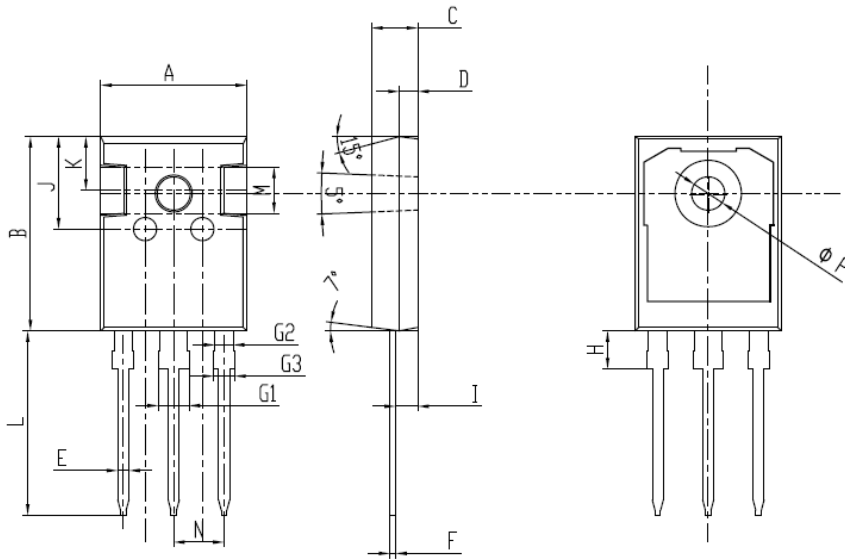
Parameter	Symbol	Maximum Ratings	Unit
Drain-Source Voltage	V <sub>DS</sub>	1500	V
Gate-Source Voltage	V <sub>GS</sub>	±30	V
Drain Current - Continues	I <sub>D</sub>	9	A

- Electrical Characteristics ( Ta = 25 °C Unless Otherwise Noted )

Parameter	Description	Min.	Typ.	Max.	Test Conditions	Unit
V <sub>(BR)DSS</sub>	Drain-to-Source Breakdown Voltage	1500	--	--	V <sub>GS</sub> = 0V, I <sub>D</sub> = 250μA	V
V <sub>GSS</sub>	Gate-to-Source Voltage	--	--	±30	NA	V
R <sub>DS(on)</sub>	Static Drain-to-Source On-Resistance	--	--	4.2	V <sub>GS</sub> = 10V, I <sub>D</sub> = 5.4A	Ω
V <sub>GS(th)</sub>	Gate Threshold Voltage	2.5	--	4.5	V <sub>DS</sub> = V <sub>GS</sub> , I <sub>D</sub> = 250μA	V
I <sub>DSS</sub>	Drain-to-Source Leakage Current	--	--	1.0	V <sub>DS</sub> = 1500V, V <sub>GS</sub> = 0V, T <sub>J</sub> = 25°C	μA
I <sub>GSS</sub>	Gate-to-Source Leakage Current	--	--	±100	V <sub>GS</sub> = ±30V	nA
V <sub>SD</sub>	Body Diode Voltage	--	--	1.5	V <sub>GS</sub> = 0V, I <sub>SD</sub> = 9.0A	V
T <sub>j</sub>	Operating Junction and	-55°C to 150 Max.				°C
T <sub>STG</sub>	Storage Temperature Range					

## PACKAGE OUTLINE

TO-247



	(mm)	
	MIN	MAX
A	15.70	15.90
B	20.90	21.10
C	4.90	5.10
D	1.90	2.10
E	1.10	1.30
F	0.45	0.75
G1	3.00	3.20
G2	1.85	2.15
G3	2.00	2.20
H	4.00	4.30
I	2.30	2.50
J	9.90	10.10
K	5.70	5.90
L	19.80	20.20
M	4.85	5.15
N	5.286	5.586
$\phi P$	3.40	3.60

## X-ON Electronics

Largest Supplier of Electrical and Electronic Components

*Click to view similar products for [MOSFET](#) category:*

*Click to view products by [Shikues](#) manufacturer:*

Other Similar products are found below :

[IRFD120](#) [JANTX2N5237](#) [BUK455-60A/B](#) [MIC4420CM-TR](#) [VN1206L](#) [NDP4060](#) [SI4482DY](#) [IPS70R2K0CEAKMA1](#) [SQD23N06-31L-GE3](#)  
[TK16J60W,S1VQ\(O](#) [2SK2614\(TE16L1,Q\)](#) [DMN1017UCP3-7](#) [DMN1053UCP4-7](#) [SQJ469EP-T1-GE3](#) [NTE2384](#) [DMC2700UDMQ-7](#)  
[DMN2080UCB4-7](#) [DMN61D9UWQ-13](#) [US6M2GTR](#) [DMN31D5UDJ-7](#) [DMP22D4UFO-7B](#) [DMN1006UCA6-7](#) [DMN16M9UCA6-7](#)  
[STF5N65M6](#) [IRF40H233XTMA1](#) [STU5N65M6](#) [DMN6022SSD-13](#) [DMN13M9UCA6-7](#) [DMTH10H4M6SPS-13](#) [DMN2990UFB-7B](#)  
[IPB80P04P405ATMA2](#) [2N7002W-G](#) [MCAC30N06Y-TP](#) [MCQ7328-TP](#) [NTMC083NP10M5L](#) [BXP7N65D](#) [BXP4N65F](#) [AOL1454G](#)  
[WMJ80N60C4](#) [BXP2N20L](#) [BXP2N65D](#) [BXT1150N10J](#) [BXT1700P06M](#) [TSM60NB380CP](#) [ROG](#) [RQ7L055BGTGR](#) [DMNH15H110SK3-13](#)  
[SLF10N65ABV2](#) [BSO203SP](#) [BSO211P](#) [IPA60R230P6](#)