

800mA Bipolar Linear Regulator

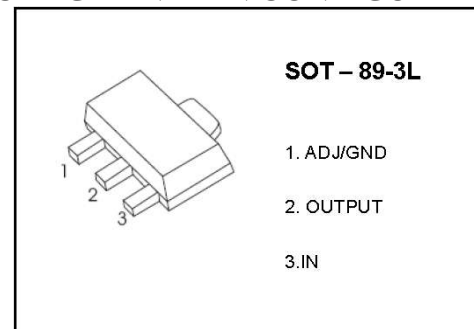
DESCRIPTION

SK1117A is a series of low dropout three-terminal regulators with a dropout of 1.3V at 800mA load current. It features a low standby current 2mA. Other than a fixed version ($V_{out} = 1.2V, 1.8V, 2.5V, 3.3V, 5V,$ and $12V$), It has an adjustable version, which can provide an output voltage from 1.25 to 12V with only two external resistors. offers thermal shut down and current limit functions, to assure stability of chip and power system. Trimming technique is used to guarantee output voltage accuracy within 2%. Other output voltage accuracy such as 1% can be customized on demand. It is available in SOT89-3 power packages.

FEATURES

- Other than a fixed version and an adjustable version, output value can be customized on demand.
- Maximum output current is 800mA
- Range of operation input voltage: Max 18V
- Standby current: 2mA (typ.)
- Line regulation: 0.1%/V (typ.)
- Load regulation: 10mV (typ.)
- Environment Temperature: $-40^{\circ}C \sim 85^{\circ}C$
- Compatible with tantalum capacitor, electrolytic capacitor and MLCC.

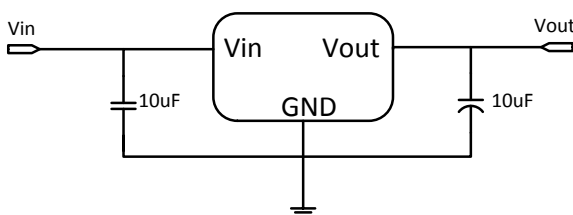
PACKAGE AND PIN CONFIGURATIONS



APPLICATIONS

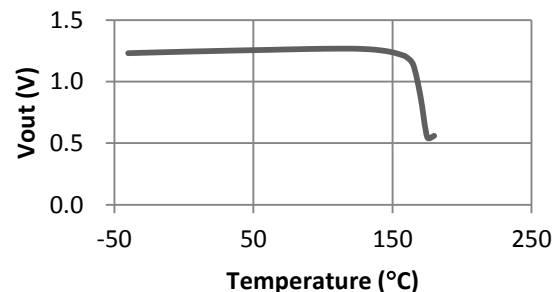
- Power Management for Computer Mother Board, Graphic Card
- LCD Monitor and LCD TV
- DVD Decode Board
- ADSL Modem
- Post Regulators for Switching Supplies

TYPICAL APPLICATION



Application circuit of SK1117A fixed version

TYPICAL ELECTRICAL CHARACTERISTIC



SK1117A-ADJ V_{out} Vs. Temp

ABSOLUTE MAXIMUM RATING

Parameter		Value
Max Input Voltage		18V ^①
Max Operating Junction Temperature(Tj)		150°C
Ambient Temperature(Ta)		-40°C – 85°C
Power Dissipation	SOT89-3	500mW
Storage Temperature(Ts)		-40°C - 150°C
Lead Temperature & Time		260°C, 10S

Note: Exceed these limits to damage to the device. Exposure to absolute maximum rating conditions may affect device reliability.

RECOMMENDED WORK CONDITIONS

Parameter		Value
Input Voltage Range		Max. 16V
Operating Junction Temperature(Tj)		-40°C –85°C

ELECTRICAL CHARACTERISTICS $T_j=25^{\circ}\text{C}$

Symbol	Parameter	Conditions	Min	Typ	Max	Unit
Vref	Reference Voltage	SK1117A-ADJ $10\text{mA} \leq I_{\text{out}} \leq 800\text{mA}$, $V_{\text{in}}=3.25\text{V}$	1.225	1.25	1.275	V
Vout	Output Voltage	SK1117A -1.2V $0 \leq I_{\text{out}} \leq 800\text{mA}$, $V_{\text{in}}=3.2\text{V}$	1.176	1.2	1.224	V
		SK1117A -1.8V $0 \leq I_{\text{out}} \leq 800\text{mA}$, $V_{\text{in}}=3.8\text{V}$	1.764	1.8	1.836	V
		SK1117A -2.5V $0 \leq I_{\text{out}} \leq 800\text{mA}$, $V_{\text{in}}=4.5\text{V}$	2.45	2.5	2.55	V
		SK1117A -3.3V $0 \leq I_{\text{out}} \leq 800\text{mA}$, $V_{\text{in}}=5.3\text{V}$	3.234	3.3	3.366	V
		SK1117A -5.0V $0 \leq I_{\text{out}} \leq 800\text{mA}$, $V_{\text{in}}=7.0\text{V}$	4.9	5	5.1	V
		SK1117A -12.0V $0 \leq I_{\text{out}} \leq 800\text{mA}$, $V_{\text{in}}=14\text{V}$	11.76	12	12.24	V
ΔV_{out}	Line Regulation	SK1117A -1.2V $I_{\text{out}}=10\text{mA}$, $2.7\text{V} \leq V_{\text{in}} \leq 15\text{V}$		0.1	0.2	%/V
		SK1117A-ADJ $I_{\text{out}}=10\text{mA}$, $2.75\text{V} \leq V_{\text{in}} \leq 16\text{V}$		0.1	0.2	%/V
		SK1117A -1.8V $I_{\text{out}}=10\text{mA}$, $3.3\text{V} \leq V_{\text{in}} \leq 16\text{V}$		0.1	0.2	%/V
		SK1117A -2.5V $I_{\text{out}}=10\text{mA}$, $4.0\text{V} \leq V_{\text{in}} \leq 16\text{V}$		0.1	0.2	%/V
		SK1117A -3.3V $I_{\text{out}}=10\text{mA}$, $4.8\text{V} \leq V_{\text{in}} \leq 16\text{V}$		0.1	0.2	%/V
		SK1117A -5.0V $I_{\text{out}}=10\text{mA}$, $6.5\text{V} \leq V_{\text{in}} \leq 16\text{V}$		0.1	0.2	%/V
		SK1117A -12.0V $I_{\text{out}}=10\text{mA}$, $13.5\text{V} \leq V_{\text{in}} \leq 20\text{V}$		0.1	0.2	%/V
ΔV_{out}	Load Regulation	SK1117A -1.2V $V_{\text{in}}=2.7\text{V}$, $10\text{mA} \leq I_{\text{out}} \leq 800\text{mA}$		10	30	mV
		SK1117A -ADJ $V_{\text{in}}=2.75\text{V}$, $10\text{mA} \leq I_{\text{out}} \leq 800\text{mA}$		10	30	mV
		SK1117A -1.8V $V_{\text{in}}=3.3\text{V}$, $10\text{mA} \leq I_{\text{out}} \leq 800\text{mA}$		10	30	mV
		SK1117A -2.5V $V_{\text{in}}=4.0\text{V}$, $10\text{mA} \leq I_{\text{out}} \leq 800\text{mA}$		10	30	mV
		SK1117A -3.3V $V_{\text{in}}=4.8\text{V}$, $10\text{mA} \leq I_{\text{out}} \leq 800\text{mA}$		10	30	mV
		SK1117A -5.0V $V_{\text{in}}=6.5\text{V}$, $10\text{mA} \leq I_{\text{out}} \leq 800\text{mA}$		10	30	mV
		SK1117A -12.0V $V_{\text{in}}=13.5\text{V}$, $10\text{mA} \leq I_{\text{out}} \leq 800\text{mA}$		10	30	mV

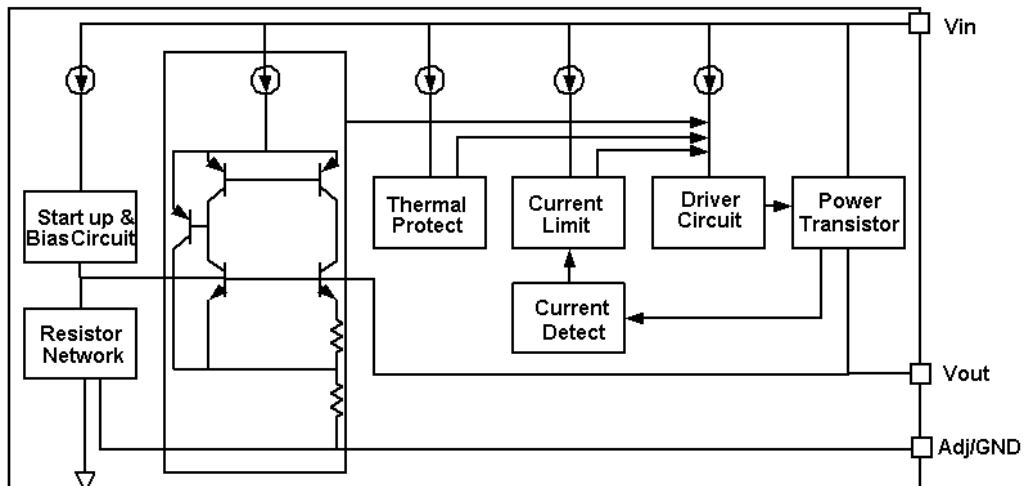
ELECTRICAL CHARACTERISTICS continued

Symbol	Parameter	Conditions	Min	Typ	Max	Unit
Vdrop	Dropout Voltage	I _{out} =100mA		1.23	1.3	V
		I _{out} =800mA		1.3	1.5	V
I _{limit}	Current Limit	V _{in} -V _{out} =2V, T _j =25° C	800			mA
I _{min}	Minimum Load Current	SK1117A -ADJ		2	10	mA
I _q	Quiescent Current	SK1117A-1.2V, V _{in} =10V		2	5	mA
		SK1117A-1.8V, V _{in} =12V		2	5	mA
		SK1117A-2.5V, V _{in} =12V		2	5	mA
		SK1117A-3.3V, V _{in} =12V		2	5	mA
		SK1117A-5.0V, V _{in} =12V		2	5	mA
		SK1117SA12.0V, V _{in} =20V		2	5	mA
I _{Adj}	Adjust Pin Current	SK1117A -ADJ V _{in} =5V, 10mA≤I _{out} ≤800mA		55	120	uA
I _{change}	I _{adj} change	SK1117A -ADJ V _{in} =5V, 10mA≤I _{out} ≤800mA		0.2	10	uA
ΔV/ΔT	Temperature coefficient			± 100		ppm
θ _{JC}	Thermal Resistance	SOT-89-3		100		°C/W

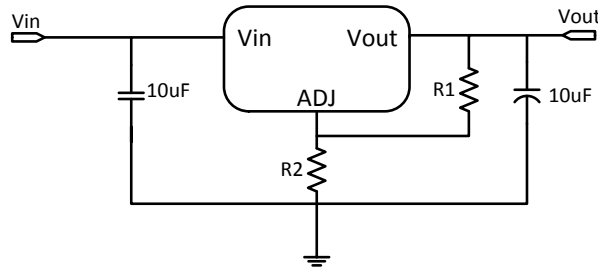
Note1: All test are conducted under ambient temperature 25°C and within a short period of time 20ms

Note2: Load current smaller than minimum load current of SK1117A-ADJ will lead to unstable or oscillation output.

BLOCK DIAGRAM



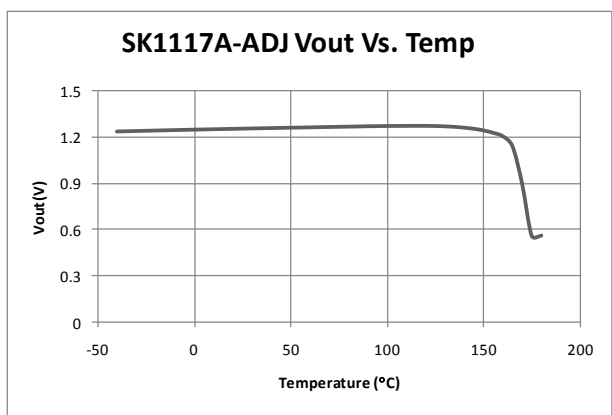
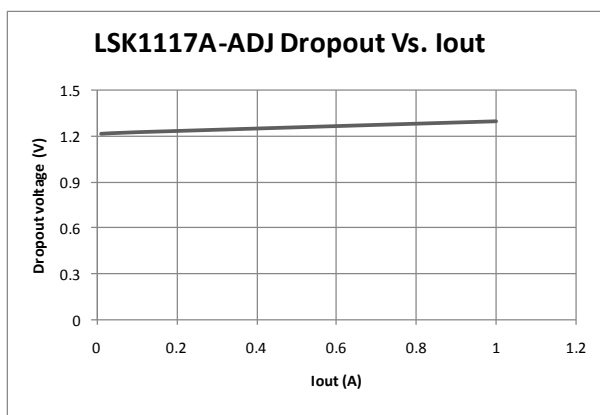
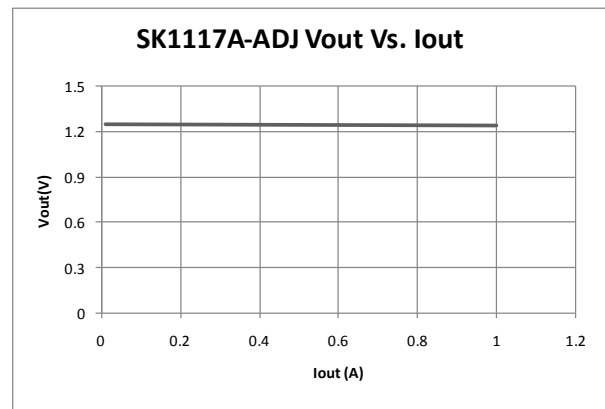
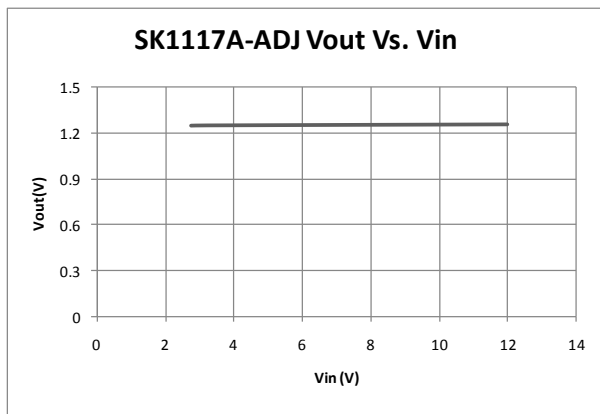
Adjustable Output Voltage Version



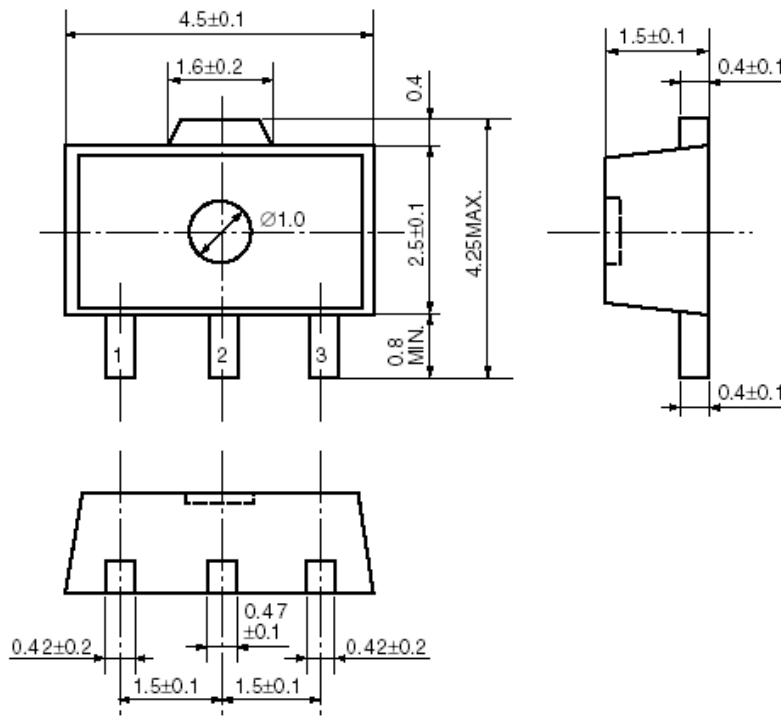
Application Circuit of SK1117A-ADJ

The output voltage of adjustable version follows the equation: $V_{out} = 1.25 \left(1 + \frac{R_2}{R_1} \right) + I_{Adj} R_2$. We can ignore I_{Adj} because I_{Adj} (about 50uA) is much less than the current of R_1 (about 2~10mA).

TYPICAL PERFORMANCE CHARACTERISTICS $T=25^{\circ}\text{C}$ unless specified.



Package specification



X-ON Electronics

Largest Supplier of Electrical and Electronic Components

Click to view similar products for [Linear Voltage Regulators](#) category:

Click to view products by [Shikues](#) manufacturer:

Other Similar products are found below :

[LV5684PVD-XH](#) [MCDTSA6-2R](#) [L7815ACV-DG](#) [LV56801P-E](#) [UA7805CKC](#) [714954EB](#) [ZMR500QFTA](#) [BA033LBSG2-TR](#)
[NCV78M05ABDTRKG](#) [LV5680P-E](#) [L79M05T-E](#) [L78LR05D-MA-E](#) [NCV317MBTG](#) [NTE7227](#) [MP2018GZD-33-P](#) [MP2018GZD-5-P](#)
[LV5680NPVC-XH](#) [ZTS6538SE](#) [UA78L09CLP](#) [UA78L09CLPR](#) [CAT6221-PPTD-GT3](#) [MC78M09CDTRK](#) [NCV51190MNTAG](#)
[BL1118CS8TR1833](#) [BL8077CKETR33](#) [BL9153-33CC3TR](#) [BL9161G-28BADRN](#) [BRCO7530MMC](#) [CJ7815B-TFN-ARG](#) [LM317C](#)
[GM7333K](#) [GM7350K](#) [XC6206P332MR](#) [HT7533](#) [LM7912S/TR](#) [LT1764S/TR](#) [LM7805T](#) [LM338T](#) [LM1117IMP-3.3/TR](#) [HT1117AM-3.3](#)
[HT7550S](#) [AMS1117-3.3](#) [HT7150S](#) [78L12](#) [HT7550](#) [HT7533-1](#) [HXY6206I-2.5](#) [HT7133](#) [HT7533S](#) [662K](#)