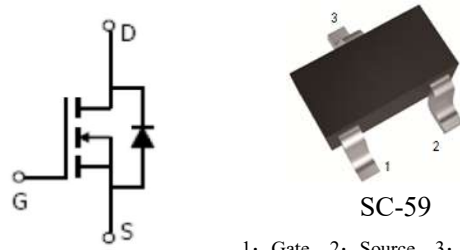


Plastic-Encapsulate MOSFET(N-Channel)

FEATURES

- High Power and current handing capability
- Lead free product is acquired
- Surface Mout Package SC-59



1: Gate 2: Source 3: Drain

MAXIMUM RATINGS (TA=25°C unless otherwise noted)

Symbol	Parameter	Value	Units
V _{DS}	Drain-Source voltage	30	V
V _{GS}	Gate-Source voltage	±12	V
I _D	Drain current	4.5	A
P _D	Power Dissipation	1.4	W
T _j	Junction Temperature	-55-150	°C
T _{stg}	Storage Temperature	-55-150	°C

ELECTRICAL CHARACTERISTICS (T_{amb}=25°C unless otherwise specified)

Parameter	Symbol	Test conditions	MIN	TYP	MAX	UNIT
Drain-Source Breakdown Voltage	V _{(BR)DSS}	V _{GS} =0V, I _D =250uA	25			V
Gate-Threshold Voltage	V _{th(GS)}	V _{DS} =V _{GS} , I _D =250 uA	0.7	0.9	1.4	V
Gate-body Leakage	I _{GSS}	V _{DS} =0V, V _{GS} =±12V			±100	nA
Zero Gate Voltage Drain Current	I _{DSS}	V _{DS} =30V, V _{GS} =0V			1	uA
Drain-Source On-Resistance	R _{DS(ON)}	V _{GS} =2.5V, I _D =4A			60	mΩ
		V _{GS} =4.5V, I _D =2.9A			45	mΩ
		V _{GS} =10V, I _D =2.9A			41	mΩ
Forward Trans conductance	g _{fs}	V _{DS} =5V, I _D =2.9A	10			s
Dynamic Characteristics						
Input Capacitance	C _{iss}	V _{DS} =15V, V _{GS} =0V, f=1MHz		623		pF
Output Capacitance	C _{oss}			99		
Reverse Transfer Capacitance	C _{rss}			77		
Switching Capacitance						
Turn-on Delay Time	t _{d(on)}	V _{DD} =15V, I _D =2.9A, V _{GS} =10V R _{GEN} =3Ω		3.3		nS
Turn-on Rise Time	t _r			4.8		nS
Turn-off Delay Time	t _{d(off)}			26		nS
Turn-off Fall Time	t _f			4		nS
Total Gate Charge	Q _g	V _{DS} =15V, I _D =4.5A, V _{GS} =4.5V,		9.5		nC
Gate-Source Charge	Q _{gs}			1.5		nC
Gate-Drain Charge	Q _{gd}			3		nC
Drain-Source Diode Characteristics						
Diode Forward Voltage	V _{SD}	V _{GS} =0V, I _D =2.9A		0.75	1.2	V
Diode Forward Current	I _s				2.9	A

SHIKE MAKE CONSCIOUS PRODUCT

CONSCIOUS PRODUCTS BEGIN WITH CONSCIOUS PEOPLE



Typical Characteristics

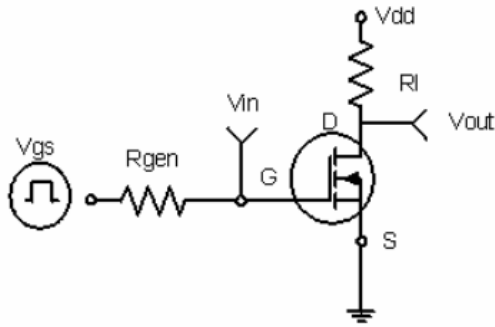


Figure 1: Switching Test Circuit

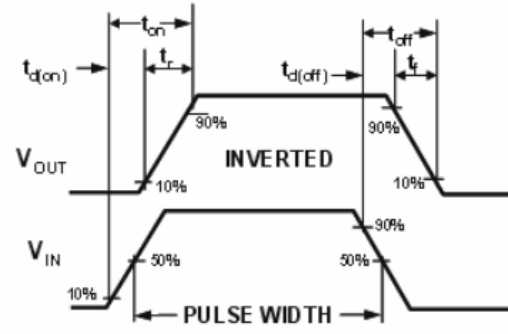


Figure 2: Switching Waveforms



X-ON Electronics

Largest Supplier of Electrical and Electronic Components

Click to view similar products for [MOSFET](#) category:

Click to view products by [Shikues](#) manufacturer:

Other Similar products are found below :

[614233C](#) [648584F](#) [FDPF9N50NZ](#) [IRFD120](#) [IRFF430](#) [JANTX2N5237](#) [2N7000](#) [FCA20N60_F109](#) [FDZ595PZ](#) [2SK2267\(Q\)](#) [2SK2545\(Q,T\)](#)
[405094E](#) [423220D](#) [MIC4420CM-TR](#) [VN1206L](#) [614234A](#) [715780A](#) [SSM6J414TU,LF\(T](#) [751625C](#) [PSMN4R2-30MLD](#)
[TK31J60W5,S1VQ\(O](#) [2SK2614\(TE16L1,Q\)](#) [DMN1017UCP3-7](#) [EFC2J004NUZTDG](#) [FCAB21350L1](#) [P85W28HP2F-7071](#) [DMN1053UCP4-7](#)
[NTE2384](#) [NTE2969](#) [NTE6400A](#) [DMN61D9UWQ-13](#) [US6M2GTR](#) [DMN31D5UDJ-7](#) [SSM6P54TU,LF](#) [DMP22D4UFO-7B](#)
[IPS60R3K4CEAKMA1](#) [DMN1006UCA6-7](#) [DMN16M9UCA6-7](#) [STF5N65M6](#) [STU5N65M6](#) [C3M0021120D](#) [DMN13M9UCA6-7](#)
[BSS340NWH6327XTSA1](#) [MCM3400A-TP](#) [DMTH10H4M6SPS-13](#) [IPS60R1K0PFD7SAKMA1](#) [IPS60R360PFD7SAKMA1](#)
[IPS60R600PFD7SAKMA1](#) [IPS60R210PFD7SAKMA1](#) [DMN2990UFB-7B](#)