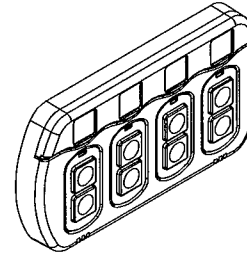
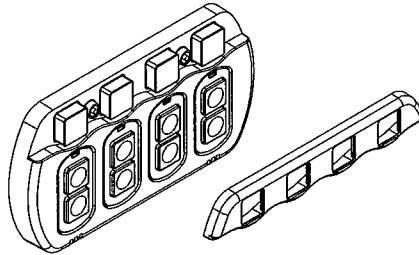
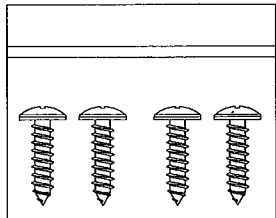
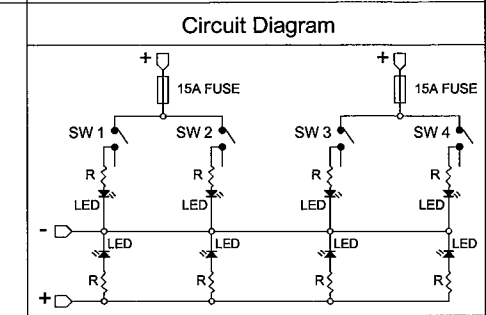
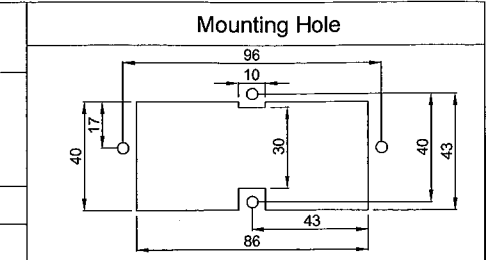


Notes:

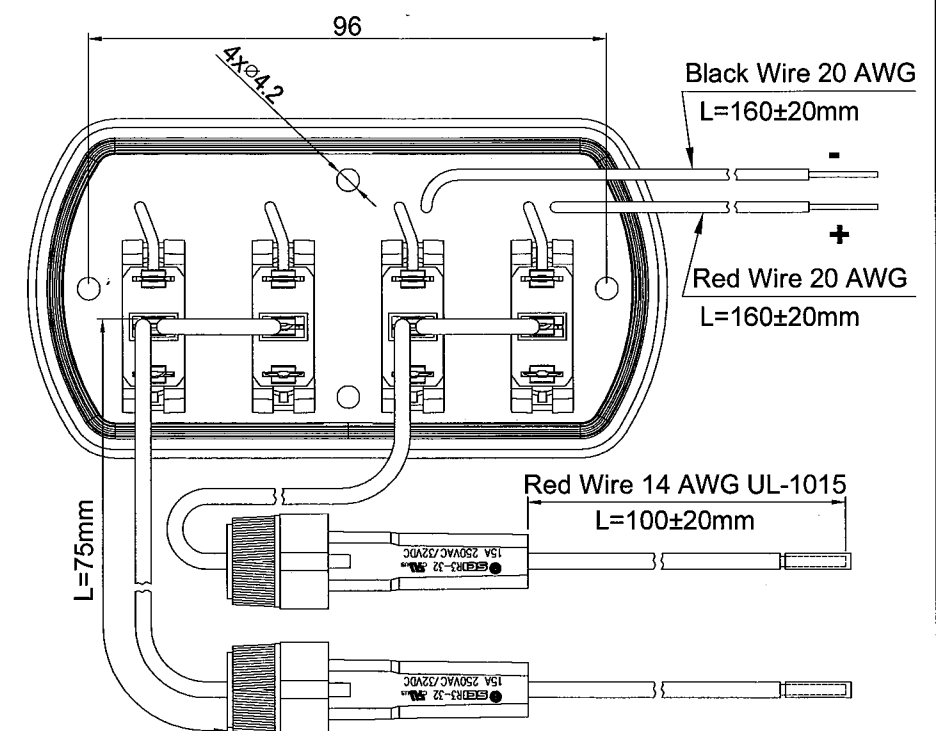
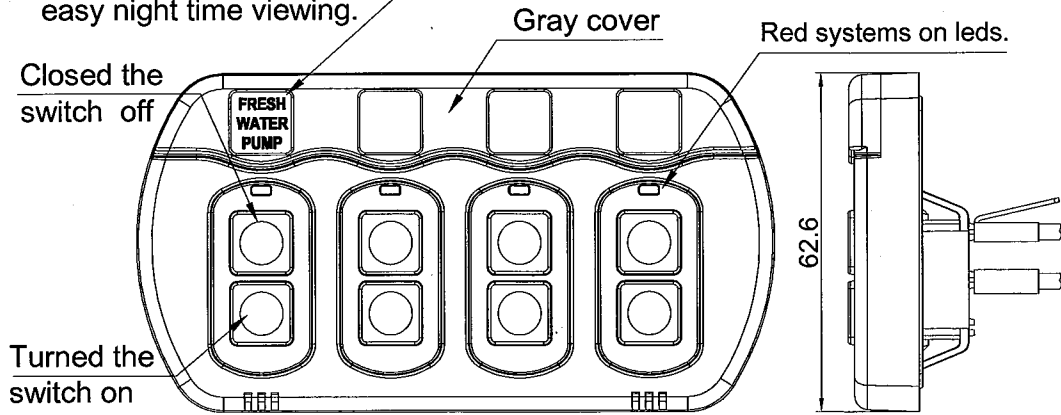
1. Panel & Cover: PC.
 2. Rocker Switch : R13-249A, on/off.
 3. Fuse Holder : R3-32AA2, fuse $\phi 5.0 \times 20L$ mm.
 4. When turned the switch on, the red led above the switch will lighten.
 5. The switch tray features a rubber mounting gasket and integral cover seal.
 6. The cover includes a clear plastic membrane with rubber over-mould allowing the flexibility to operate the switches while providing a clear window for label backlighting.
- * Sealed: IP66 when locked on the mounting panel.
 - * 4 Pcs Tapping Screw $\phi 4 \times 16L$ In Bulk.
 - * 30 sticker labels included.



| | |
|-----------------------|--|
| Voltage | 12-24V DC |
| Output Rating | 10A max. (per circuit) 15A max. (two circuit) |
| Operation Temperature | -20°C~+60°C |
| Switch Function | 2P SPST ON-OFF x 4 |



Labels are LED backlit for easy night time viewing.



原稿
2019.1.16
研發部

Tolerances Unless Otherwise Specified ± 0.5

| | | | | | | |
|-------|---------|-------------|--------------|---------|------------|--------------------------------|
| Drawn | Checked | Approved | SCI BOM No. | 1130426 | Model Name | 4 Way Spray Proof Switch Panel |
| 林玥呈 | | | Customer No. | | Model No. | PR18-H4A-249A32AA2 |
| Date | Name | Description | No. | 1/4/19 | Unit | mm |
| | | | | | | Shin Chin Industrial Co., Ltd. |
| | | | | | | Rev. 0 |

X-ON Electronics

Largest Supplier of Electrical and Electronic Components

Click to view similar products for [AC Power Entry Modules](#) category:

Click to view products by [Shin Chin](#) manufacturer:

Other Similar products are found below :

[0098.0050](#) [6167.0002](#) [6609100-2](#) [7-6609955-2](#) [FKI2-50-6/M5](#) [FN361-6-06](#) [FN389-4-22](#) [FN9226B-6-02](#) [FN9233S1-10-06](#) [FN9233S1-8-06](#)
[FN9233S1B-8-06](#) [FN9233S1R-1-06](#) [FN9233S1R-12-06](#) [FN9233SB-1-06](#) [FN9233SB-12-06](#) [FN9233SB-8-06](#) [FN9233SR-10-06](#) [FN9244B-15-06HI](#) [FN9244EB-3-06](#) [FN9244EB-8-06](#) [FN9244ER-15-06](#) [FN9244ER-8-06](#) [FN9244ES1-8-06](#) [FN9244ESB-8-06](#) [FN9244R-12-06](#)
[FN9244S1-12-06](#) [FN9244S1R-3-06](#) [FN9244SB-8-06](#) [FN9244SR-6-06](#) [FN9244U-3-06](#) [FN9244U-8-06](#) [8-6609940-2](#) [PE00SSSXB](#) [Fuse-H-EUR-1](#) [Fuse-H-USA-1](#) [PM00XD000](#) [A-0701-HT-H](#) [15EJMS8](#) [1-6609941-2](#) [200JM6-2](#) [CA121003-6](#) [SK-1015\(F1-5\)](#) [161-R3015-E](#) [1-6609153-2](#) [FN323-1-05](#) [FN9233B-8-06](#) [FN9233EB-1-06](#) [FN9233ES1R-10-06](#) [FN9233R-12-06](#) [FN9233S-10-06](#)