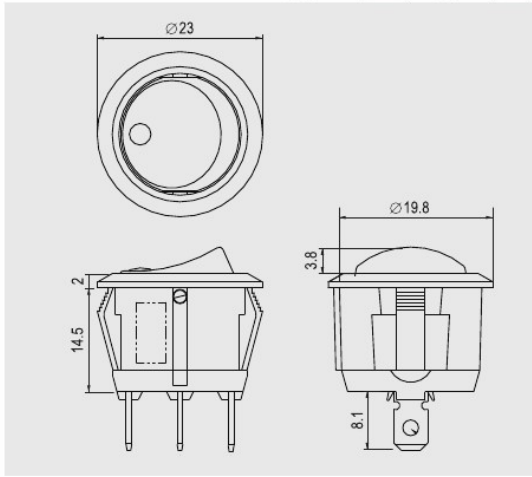
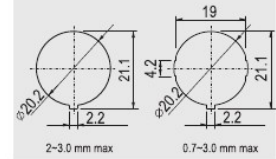


R13-112

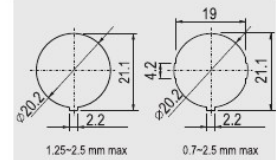


Rating
16A 125V AC 10A 250V AC
Contact resistance
50mΩ Max
Insulation resistance
DC 500V 100MΩ Min
Dielectric strength
AC 1500V 1 minute
Cut-out



0.7~3.0 mm max

Cut-out for X8 ROCKER



0.7~2.5 mm max

FEATURES

- * MATERIAL: Frame is nylon (UL flame: 94V-2). Terminals are silver plated brass.
- * Illuminated actuators are molded in PC, available with red, amber, green, blue and white colors.
- * Snap-in mounting, easy to install switch into panel.
- * Except lever type actuator (AP, BP, CP, DP, LP), watertight cover is optional.
- * Standard dimension of housing height is 14.5mm, if look for shorter height, please refer to page 1-57, item R13-208 with housing height 12.0mm.
- * R13-112B9 & R13-112B9F: The LED is built with PCB for shifting to AC rating application.
- * Watertight cover is optional.



ROCKER			
A,B,BF C,D,E, F,G,H, I		A5	
A2 E2 F2		LP	
A2B		A8,B8 B8F C8,D8 F8,E8	
B2 B2F		B9 B9F	
L		AP BP CP DP	



Ordering number instruction

R13-112 -

FUNCTION	TERMINAL
Different button (按鈕不同)	
<div style="display: flex; justify-content: space-between;"> <div style="width: 48%;"> <p>A</p> <p>2P SPST</p> </div> <div style="width: 48%;"> <p>A 2</p> <p>2P SPST</p> </div> <div style="width: 48%;"> <p>A 5</p> <p>2P SPST (Gloss Finish)</p> </div> <div style="width: 48%;"> <p>A P</p> <p>2P SPST</p> </div> <div style="width: 48%;"> <p>A 2 B</p> <p>2P SPST</p> </div> </div>	<div style="display: flex; flex-direction: column; gap: 5px;"> <div style="display: flex; align-items: center;"> 0 2 .187" SQ </div> <div style="display: flex; align-items: center;"> 0 9 PC <small>A/C/D/E/F/G/H/I</small> </div> <div style="display: flex; align-items: center;"> 1 2 SO <small>A/C/D/E/F/G/H/I/L</small> </div> </div>
Illuminated / Different button (帶燈/按鈕不同)	
<div style="display: flex; justify-content: space-between;"> <div style="width: 48%;"> <p>B</p> <p>3P SPST (NEON) <small>125VAC 33KΩ / 250VAC 150KΩ</small></p> </div> <div style="width: 48%;"> <p>B 2</p> <p>3P SPST (NEON) <small>125VAC 33KΩ / 250VAC 150KΩ</small></p> </div> <div style="width: 48%;"> <p>B 9</p> <p>3P SPST (W/O Lens) (LED)</p> </div> <div style="width: 48%;"> <p>B 1 0</p> <p>3P SPST (NEON) <small>125VAC 33KΩ / 250VAC 150KΩ</small></p> </div> <div style="width: 48%;"> <p>B P</p> <p>3P SPST (NEON) <small>125VAC 33KΩ / 250VAC 150KΩ</small></p> </div> </div>	
Momentary / Illuminated / Different button (彈回/帶燈/按鈕不同)	
<div style="display: flex; justify-content: space-between;"> <div style="width: 48%;"> <p>B F</p> <p>3P SPST (NEON) <small>125VAC 33KΩ / 250VAC 150KΩ</small></p> </div> <div style="width: 48%;"> <p>B 2 F</p> <p>3P SPST (NEON) <small>125VAC 33KΩ / 250VAC 150KΩ</small></p> </div> <div style="width: 48%;"> <p>B 9 F</p> <p>3P SPST (W/O Lens) (LED)</p> </div> </div>	
Different position / Different button (動作特性不同/按鈕不同)	
<div style="display: flex; justify-content: space-between;"> <div style="width: 48%;"> <p>C</p> <p>3P SPDT</p> </div> <div style="width: 48%;"> <p>C P</p> <p>3P SPDT</p> </div> <div style="width: 48%;"> <p>D</p> <p>3P SPDT</p> </div> <div style="width: 48%;"> <p>D P</p> <p>3P SPDT</p> </div> </div>	
Momentary (彈回)	
<div style="display: flex; justify-content: space-between;"> <div style="width: 48%;"> <p>E</p> <p>2P SPST</p> </div> <div style="width: 48%;"> <p>F</p> <p>2P SPST (ON)</p> </div> <div style="width: 48%;"> <p>G</p> <p>3P SPDT</p> </div> <div style="width: 48%;"> <p>H</p> <p>3P SPDT</p> </div> <div style="width: 48%;"> <p>I</p> <p>3P SPDT</p> </div> </div>	
Independent circuit / Different button (獨立迴路/按鈕不同)	
<div style="display: flex; justify-content: space-between;"> <div style="width: 48%;"> <p>L</p> <p>4P SPST (LED)</p> </div> <div style="width: 48%;"> <p>L P</p> <p>4P SPST (LED)</p> </div> <div style="width: 48%;"> <p>L F</p> <p>4P SPST (LED)</p> </div> </div>	
Watertight (防水)	
<div style="display: flex; justify-content: space-between;"> <div style="width: 48%;"> <p>A 8</p> <p>2P SPST</p> </div> <div style="width: 48%;"> <p>B 8</p> <p>3P SPST (NEON) <small>125VAC 33KΩ / 250VAC 150KΩ</small></p> </div> <div style="width: 48%;"> <p>B 8 F</p> <p>3P SPST (NEON) <small>125VAC 33KΩ / 250VAC 150KΩ</small></p> </div> <div style="width: 48%;"> <p>C 8</p> <p>3P SPDT</p> </div> <div style="width: 48%;"> <p>D 8</p> <p>3P SPDT</p> </div> <div style="width: 48%;"> <p>F 8</p> <p>2P SPST (ON)</p> </div> </div>	
<p>E 8</p> <p>2P SPST</p>	

X-ON Electronics

Largest Supplier of Electrical and Electronic Components

Click to view similar products for [Rocker Switches](#) category:

Click to view products by [Shin Chin](#) manufacturer:

Other Similar products are found below :

[LTILA6E-1S-WH-RC-FN12VXCR1](#) [6-1571986-9](#) [8007K26N324V52](#) [8055K32Z7V](#) [8055K52Z7V](#) [8138K20E6M50](#) [84206L](#) [84312LX](#)
[PREDD5-07F-BB0GW](#) [999-16716-002](#) [999-16716-003](#) [999-16716-004](#) [A101J1V3Q004](#) [A101J2ZQ004](#) [A101J4ZQ004](#) [A101J51CB0004](#)
[A103J1ZQ004](#) [A201J1AQ004](#) [A201J3ZB004](#) [A201J50ZQ004](#) [A203J51ZQ0004](#) [A435S1YZQ](#) [H8500XBBBBL-A](#) [H8653VBBG2577W](#)
[HB130CHNWWNAAC](#) [R13112ABB-602W](#) [1251.0303](#) [AE205J60V3B004](#) [1352.0107](#) [1500G51E](#) [1571099-3](#) [1571987-4](#) [1571987-5](#)
[1571989-7](#) [1571988-5](#) [B123J77V7B2](#) [B226J50W4Q22P](#) [B433J37ZQ22M](#) [160212E](#) [1634200-7](#) [1801.1164](#) [1839.1502](#) [PANEL-PLUG-VHP-](#)
[BLACK](#) [PANEL-PLUG-VHP-WT](#) [K1ABBSCADN](#) [K2ABAAAAAA](#) [KG312A2DXD246X](#) [250011E714](#) [2600HM11E](#) [2600R21E](#)