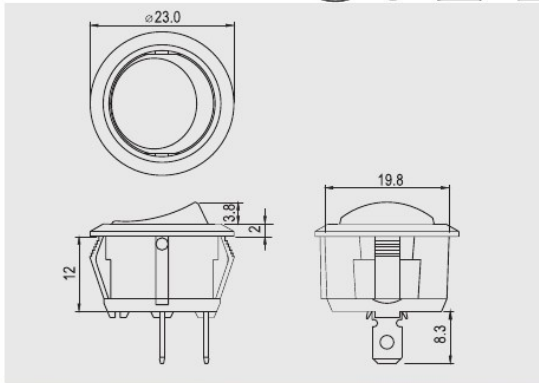


Shorter Frame Than R13-112

R13-208



Rating
16A 125V AC 10A 250V AC
Contact resistance
50mΩ Max
Insulation resistance
DC 500V 100MΩ Min
Dielectric strength
AC 1500V 1 minute
Cut-out
0.7~3.0 mm max

FEATURES

- * MATERIAL: Frame is nylon (UL flame: 94V-2). Terminals are silver plated brass.
- * Illuminated actuators are molded in PC, available with red, amber, green, blue and white colors.
- * Snap-in mounting, easy to install switch into panel.
- * Watertight cover is optional.
- * The dimension of frame is 12mm, for longer one, please refer to page 1-53~1-54 item no. R13-112.



Ordering number instruction

R13-208 [] [] [] - [] []

FUNCTION		TERMINAL
Different button (按鈕不同)		0 2 .187" SQ
<p>A 2P SPST</p>	<p>A 2 2P SPST</p>	0 9 PC A/C/D/E/F/G/H/I
<p>A 5 OFF 2P SPST ON (Gloss Finish)</p>	<p>A 2 B 2P SPST</p>	1 2 SO A/C/D/E/F/G/H/I
Illuminated / Different button (帶燈/按鈕不同)		
<p>B 3P SPST (NEON) 125VAC 33KΩ / 250VAC 150KΩ</p>	<p>B 2 3P SPST (W/Lens) (NEON) 125VAC 33KΩ / 250VAC 150KΩ</p>	
Momentary / Illuminated / Different button (彈回/帶燈/按鈕不同)		
<p>B F 3P SPST (NEON) 125VAC 33KΩ / 250VAC 150KΩ</p>	<p>B 2 F 3P SPST (NEON) 125VAC 33KΩ / 250VAC 150KΩ</p>	
Different position (動作特性不同)		
<p>C 3P SPDT</p>		
Momentary (彈回)		
<p>E 2P SPST</p>	<p>F 2P SPST</p>	
<p>G 3P SPDT</p>	<p>H 3P SPDT</p>	
<p>I 3P SPDT</p>		

X-ON Electronics

Largest Supplier of Electrical and Electronic Components

Click to view similar products for [Rocker Switches](#) category:

Click to view products by [Shin Chin](#) manufacturer:

Other Similar products are found below :

[LTILA6E-1S-WH-RC-FN12VXCR1](#) [6-1571986-9](#) [8007K26N324V52](#) [8055K32Z7V](#) [8055K52Z7V](#) [8138K20E6M50](#) [84206L](#) [84312LX](#)
[PREDD5-07F-BB0GW](#) [999-16716-002](#) [999-16716-003](#) [999-16716-004](#) [A101J1V3Q004](#) [A101J2ZQ004](#) [A101J4ZQ004](#) [A101J51CB0004](#)
[A103J1ZQ004](#) [A201J1AQ004](#) [A201J3ZB004](#) [A201J50ZQ004](#) [A203J51ZQ0004](#) [A435S1YZQ](#) [H8500XBBBBBL-A](#) [H8653VBBG2577W](#)
[HB130CHNWWNAAC](#) [R13112ABB-602W](#) [1251.0303](#) [AE205J60V3B004](#) [1352.0107](#) [1500G51E](#) [1571099-3](#) [1571987-4](#) [1571987-5](#)
[1571989-7](#) [1571988-5](#) [B123J77V7B2](#) [B226J50W4Q22P](#) [B433J37ZQ22M](#) [160212E](#) [1634200-7](#) [1801.1164](#) [1839.1502](#) [PANEL-PLUG-VHP-](#)
[BLACK](#) [PANEL-PLUG-VHP-WT](#) [K1ABBSCADN](#) [K2ABAAAAAA](#) [KG312A2DXD246X](#) [250011E714](#) [2600HM11E](#) [2600R21E](#)