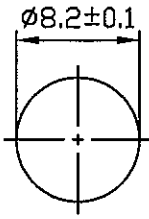
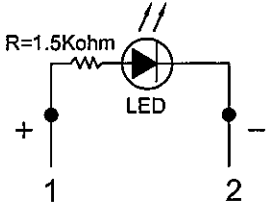
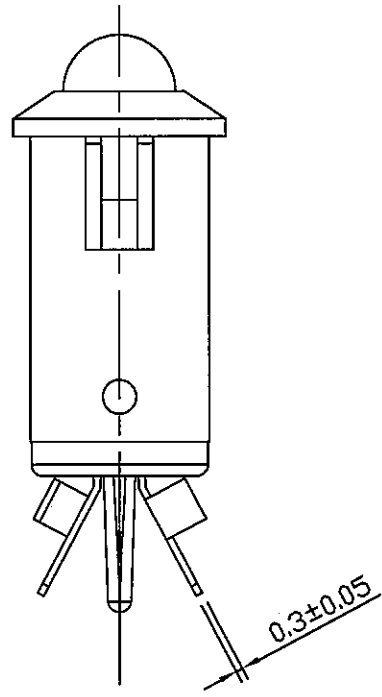
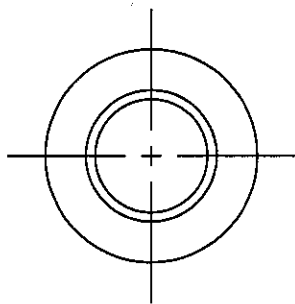
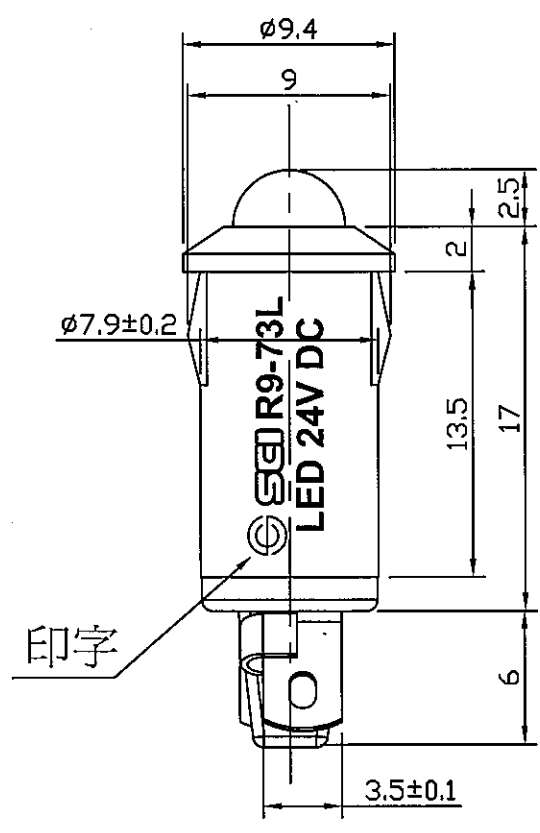


Rating	24V DC	Mounting Hole	Circuit Diagram
Insulation Resistance	DC 500V 100M ohm Min.		
Dielectric Strength	AC 500V 1 minute		
Operation Temperature	-20°C~85°C		

LED Color	LED Lens Color	VF	IF	Iv(mcd)	View Angle
Red	Red Diffused	2.0V	20mA	350	25°



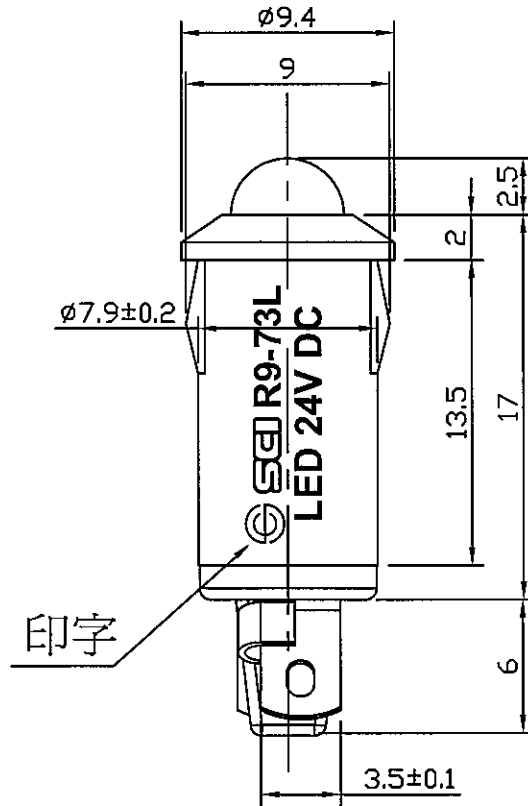
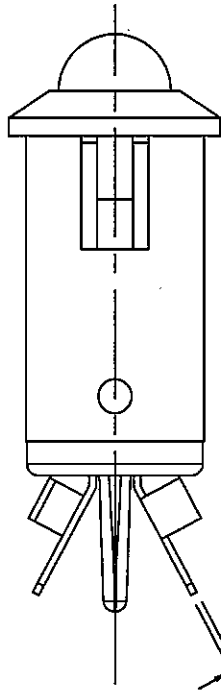
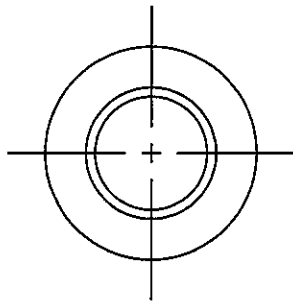
Material:  
 Body : Nylon#66, Black  
 Base : PBT, Black



Tolerances Unless Otherwise Specified  $\pm 0.3$

						△
						△
Date	Name	Description				NO
Drawn	Checked	Approved	SCI BOM No.	Model Name	INDICATOR	
曹盈芳			Customer No.	Model No.	R9-73L-05	Rev. X0
12/07/12		12/7/12	Unit	mm	Shin Chin Industrial Co., Ltd.	

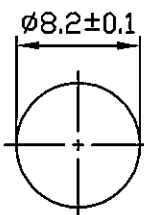
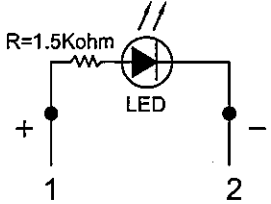
Rating	24V DC		Mounting Hole		Circuit Diagram
Insulation Resistance	DC 500V 100M ohm Min.				
Dielectric Strength	AC 500V 1 minute				
Operation Temperature	-20°C~85°C				
LED Color	LED Lens Color	VF	IF	Iv(mcd)	View Angle
Green	Green trans	2.0V	20mA	250	15°



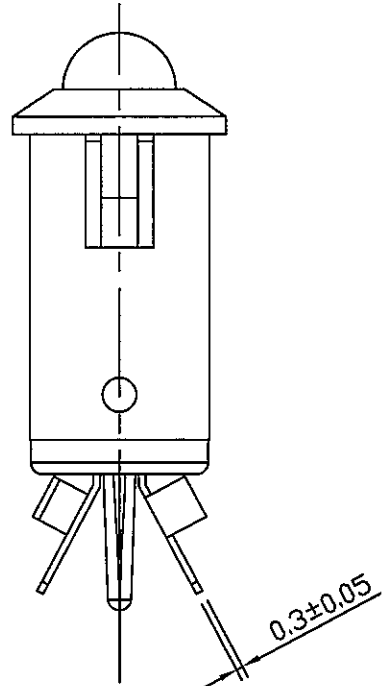
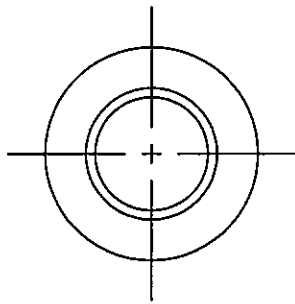
Material:  
 Body : Nylon#66, Black  
 Base : PBT, Black

Tolerances Unless Otherwise Specified  $\pm 0.3$

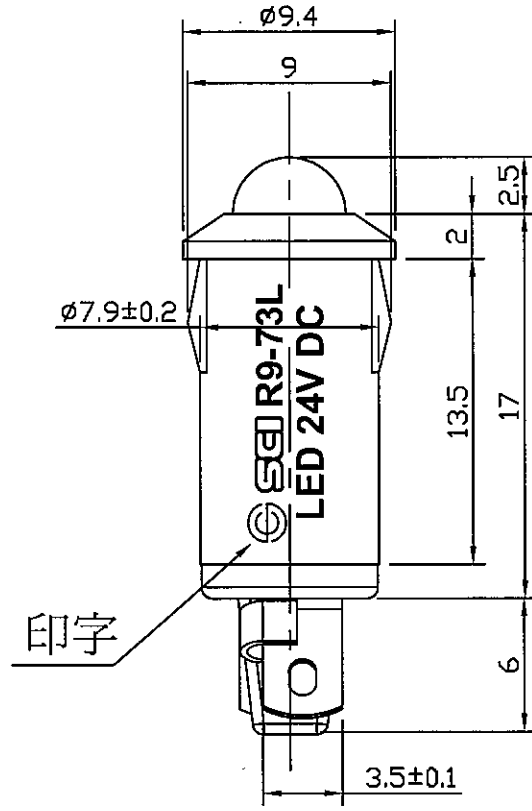
					△
					△
Date	Name	Description			NO
Drawn	Checked	Approved	SCI BOM No.	Model Name	INDICATOR
曹盈芳		<i>FAB</i>	Customer No.	Model No.	R9-73L-05
12/07/12		<i>12/11/12</i>	Unit	mm	Rev. X0
Shin Chin Industrial Co., Ltd.					

Rating	24V DC		
Insulation Resistance	DC 500V 100M ohm Min.		
Dielectric Strength	AC 500V 1 minute		
Operation Temperature	-20°C~85°C		

LED Color	LED Lens Color	VF	IF	Iv(mcd)	View Angle
Yellow	Yellow trans	2.0V	20mA	150	15°



Material:  
 Body : Nylon#66, Black  
 Base : PBT, Black



Tolerances Unless Otherwise Specified  $\pm 0.3$

						△	
						△	
Date	Name	Description				NO	
Drawn	Checked	Approved	SCI BOM No.	Model Name		INDICATOR	
曹盈芳		<i>[Signature]</i>	Customer No.	Model No.		R9-73L-05	Rev. X0
12/07/12		<i>[Signature]</i>	Unit	mm	Shin Chin Industrial Co., Ltd.		

## X-ON Electronics

Largest Supplier of Electrical and Electronic Components

*Click to view similar products for [LED Panel Mount Indicators](#) category:*

*Click to view products by [Shin Chin](#) manufacturer:*

Other Similar products are found below :

[607-3232-140F](#) [821-0331-503](#) [FL2870C8R](#) [FL2950WL7B](#) [FL2950WL8G](#) [FL589WL8R](#) [FL67C8R](#) [H8630FBBA3](#) [NL177WL2A](#)  
[NL177WL3G](#) [NL276C2A](#) [NL2950BWL3G](#) [NL589WL2R](#) [NL67C2C](#) [NL67C3R](#) [C480AABG3](#) [PB22BM41K](#) [PB22SIM40Y](#)  
[PB22SKRS31KC](#) [L32R-R2-2311](#) [L3353-MWRG](#) [L39UR-R24-2111](#) [L58D-G2-W](#) [L58D-Y2-W](#) [L59D-R12-W](#) [L59UD-R12-W](#) [L625DG](#)  
[L625DR](#) [LE177WL39007](#) [LE2950BWL39018](#) [LH1048BSWL3702](#) [LH1048BWL3702](#) [LH382A](#) [LH677G](#) [LHM628A](#) [FL276WL7R](#)  
[FL2950BWL7R](#) [FL2950WL7R](#) [FL2950WL8R](#) [FL2950WL8R-12](#) [FL2951WL8G](#) [FL2951WL8R](#) [FL589C7R](#) [FL67WL8G](#) [MPC5BCW18.0](#)  
[556-1605-808F](#) [556-1705-809F](#) [556-3008-839F](#) [558-0201-818F](#) [559-0001-813F](#)