

Height 1.0mm Type Tactile Switches

TSW-5 Type

Features

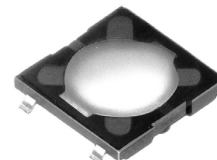
- ◇With 6.0x6.0mm dimension and 1.0mm height, surface-mounting type switches are ideal for high-density mounting.
- ◇A sharp click feeling of key touch is provided utilizing the tactile feedback characteristic.
- ◇Permits reflow soldering.
- ◇Switches are packaged in 16mm wide embossed taping.

Applications

- ◇Digital still camera and Digital video camera
- ◇Audio products, VTR and Car navigation system
- ◇Cellular phone , PDA



Actual size



Zoom

Products Line

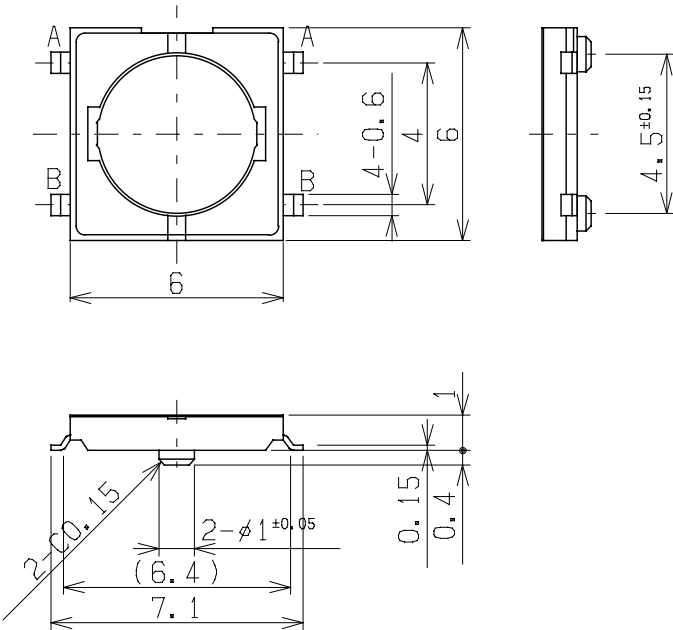
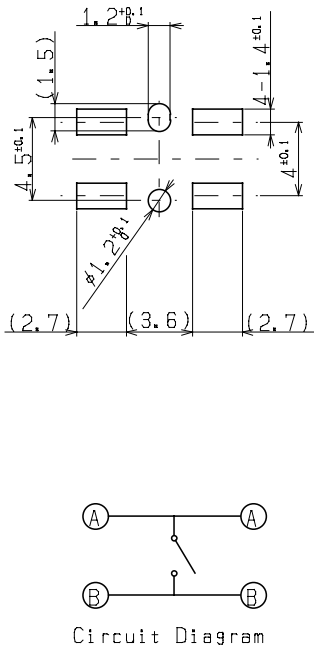
No	Products No	Operating force	Travel	Qty/reel(pcs.)
1	TSW-5-1T50	1.6N	0.25mm	5,000

Typical Specifications

Item	Specifications
Ratings (max.) (Resistive load)	20mA 15V DC
Contact resistance	50 milliohm max. (Initial)
Insulation resistance	50 megohm min. 100V DC
Withstanding voltage	250V AC for 1min.
Operating life	100,000 cycles
Operating temperature range	-20 to +70 degree Celsius
Storage temperature range	-40 to +80 degree Celsius (except carrier tape)

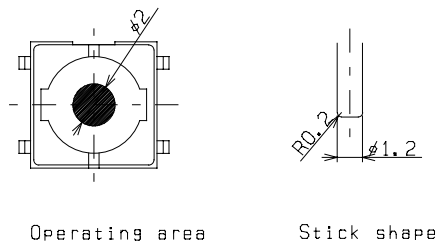
Dimensions

Unit : mm

No	Style	P.C.B reference Land Dimensions Circuit Diagram (TOP VIEW)
1	<p>TSW-5-1T50</p> 	 <p>Circuit Diagram</p>

Notes

- The appearance and specifications of the product may be modified to improve its performance without prior notice.
- This catalog shows only outline specifications. When using the product, please obtain formal specifications.
- Please see appendix [Cautions in Using Switches].
- 5,000pcs/one reel is the minimum packing unit. It is requested that the quantity of order shall be an integer multiple of the minimum packing unit.
- Characteristics of switch may change due to the warping of the circuit writing board. Consideration should be given to the pattern design and layout.
- This push switch is not washable.
- Please do not apply soldering flux at terminals of the switch and on the PC board where the switch is mounted.
- Care shall be taken to make stopper so that the larger stress than specified and/ or shock shall not be applied during switch operation.
- Do not press the portion of the film by the sharp edged object.
- Please do not press the portion excepting the following operating range. (It may cause the deformation of the movable contact).



- The stick in the above drawing is used for the measurement and the evaluation of characteristics of the switch. The eccentricity of the stick from the center of the switch shall be less than 0.3mm and operating angle shall be within 90 plus or minus 5 degree.
- In manual soldering, consider that the abnormal pressure of the soldering iron shall not be applied to the tip of the terminal as well do not apply any pressure for more than 1 minute after soldering.
- Care shall be taken so that the flux shall not penetrate into the terminal portion.

X-ON Electronics

Largest Supplier of Electrical and Electronic Components

Click to view similar products for [Tactile Switches](#) category:

Click to view products by [Shinmei](#) manufacturer:

Other Similar products are found below :

[5GTH92001](#) [5GTH9202242](#) [1-1977120-4](#) [ADTSA62NV](#) [ADTSA62RV](#) [B3F-3123](#) [1977177-8](#) [1977266-1](#) [ADTSA63NV](#) [ADTSM21NSVTR](#)
[ADTSM25RVTR](#) [ADTSM32NVTR](#) [ADTSMW64RV](#) [FSMRA4JHA04](#) [GS4.70F300QP](#) [3ESH9R](#) [KSC241J SP DELTA LFS](#) [3FTL600RAS](#)
[3FTL640RAS](#) [Y96K132V0FPLFS](#) [5GSH92001](#) [5GTH9658222](#) [ADTSM31NVTR](#) [2-1977120-7](#) [TSJW-5.2-260-TR](#) [KMT011MNGJLHS](#)
[ADTSG648NV](#) [ADTSM62KSVTR](#) [ADTSM648NV](#) [95C06E3RAT](#) [3ATH9Q](#) [FSM4JSMLXTR](#) [FSM4JSMXL](#) [FSMRA8JHA04](#) [HARS0073](#)
[Y97HS12A5RAFP](#) [Y97BT23B2HAFP](#) [Y33R411N9FPLFT](#) [Y31C01402FPLFS](#) [PTS645SK50SMTR92](#) [ADTSM32NVB](#) [KMS233GPWTLFG](#)
[Y78B42324FP](#) [Y33R21116FPLFT](#) [Y31B43131FPLFG](#) [Y78B64124FP](#) [Y71243251FP](#) [Y33R31119FPLFT](#) [Y97HS12A5TAFP](#)
[PTS638SK25SMTR2LFS](#)