



深圳市首韩科技有限公司

SHENZHEN SHOUHAN TECHNOLOGY CO.,LTD

Tel: 0755-27597601 Fax: 0755-27597491

承 认 书

SPECIFICATION FOR APPROVAL

客 户 Customer:

产品名称 Project:

USB插座

规格型号 Part No:

10.0 QTJ6.3 (10.0全贴卷边6.3)

贵公司承认印 Approval signatures

料 号/Part No.	签 章/Signatures

日期 Date:

拟制/Drawn	李春风	
审核/Check	刘学	
批准/Approved	罗孝金	



深圳市首韓科技有限公司

SHENZHEN SHOUHAN TECHNOLOGY CO.,LTD

Tel: 0755-27597601 Fax: 0755-27597491

Page

1/1

MODEL

10.0 QTJ6.3(10.0
全貼卷边6.3)

產品名稱 Part Name	10.0短体系列	測試日期 Date of Testing	2012.04.03~ 2012.04.04	報告編號 Report NO.	MD20120403-02
產品型號 Part Name	91-US01-424	樣品數量 Quantity	5PCS	測試環境 Measuring Environment	濕度Temp:18~21°C 相對濕度R.H.:49%~57%

一.電性測試 ELECTRICAL TEST

序號 NO.	測試項目 Testing Item	測試條件 Testing Conditions	測試設備 Testing Equipment	規格 SPEC	測試記錄Testing Result					判定Judge	
					1	2	3	4	5	Pass	Fail
1	Contact resistance	Test current:150mA max	DIGITAL MICRO-OHMMETER	30 mΩ Max	16.58 mΩ	17.34 mΩ	18.57 mΩ	17.27 mΩ	19.60 mΩ	P	
2	Insulation resistance	Test voltage:500VDC Operation stated:1min	ULTRA HIGH RESISTANCE METER	1000 MΩ Min	1420 MΩ	1531 MΩ	1575 MΩ	1620 MΩ	1771 MΩ	P	
3	Dielectric withstand voltage	Test voltage:500VAC Cut-off current:0.5mA Operation stated:1 min	BREAKDOWN TESTER	No discharge or flashover occur	Pass	Pass	Pass	Pass	Pass	P	

二.機械特性測試 MECHANICAL TEST

序號 NO.	測試項目 Testing Item	測試條件 Testing Conditions	測試設備 Testing Equipment	規格 SPEC	測試記錄Testing Result					判定Judge	
					1	2	3	4	5	Pass	Fail
1	Durability test	Rate:200cycles/hour Total: 1500 cycles	LIFE TESTER FOR CONNECTOR	No physical damage	Pass	Pass	Pass	Pass	Pass	P	
2	Mating Force	35 Newtons maximum at a maximum rare of 7.5mm per minute	Insertion force testing machine	No physical damage	Pass	Pass	Pass	Pass	Pass	P	
3	Un-Mating Force	10 Newtons minimum at a maximum rare of 7.5mm per minute	Insertion force testing machine	No physical damage	Pass	Pass	Pass	Pass	Pass	P	

三.環境特性測試 ENVIRONMENTAL TEST

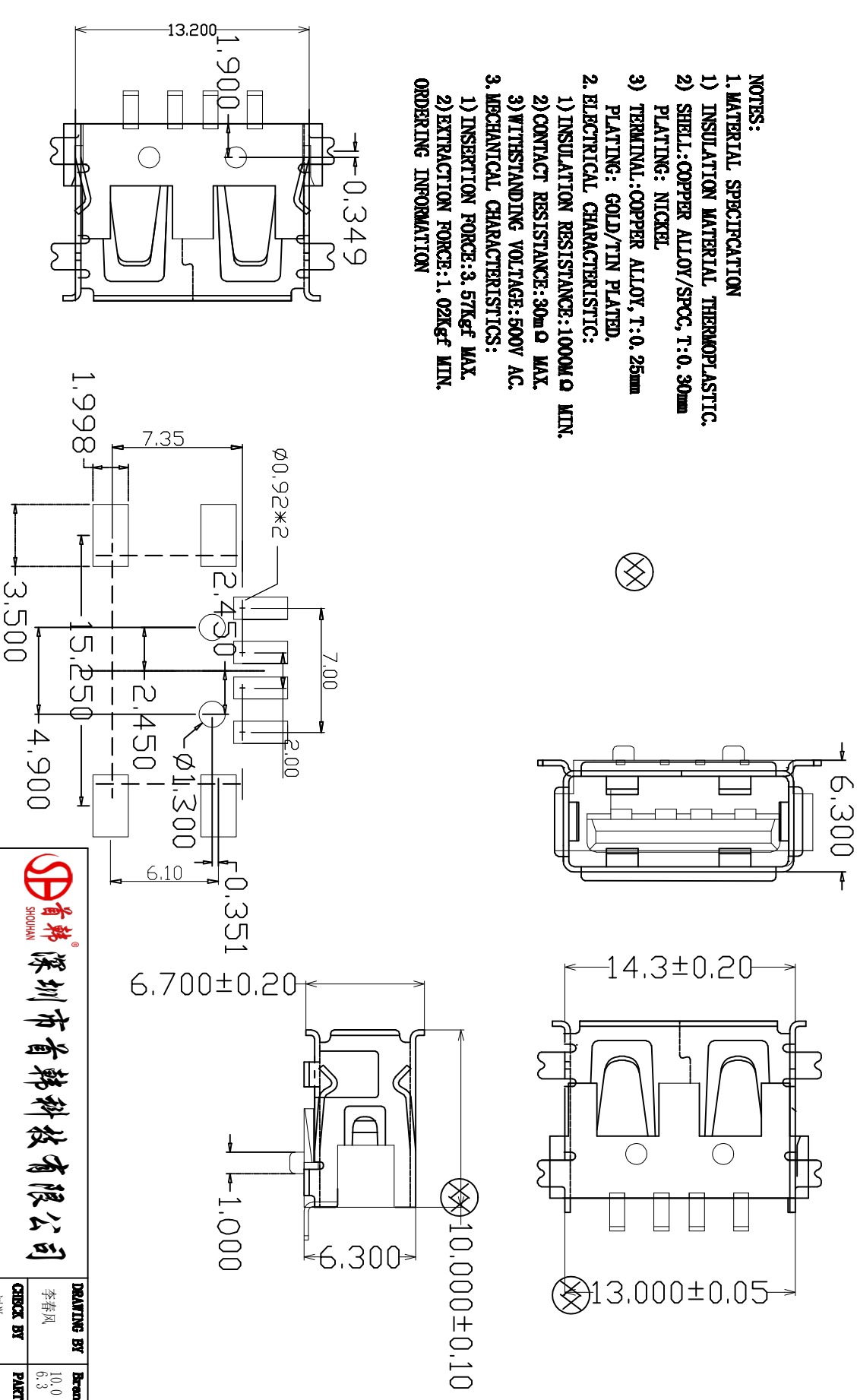
序號 NO.	測試項目 Testing Item	測試條件 Testing Conditions	測試設備 Testing Equipment	規格 SPEC	測試記錄Testing Result					判定Judge	
					1	2	3	4	5	Pass	Fail
1	Humidity-Temperature cycle	Temperature: 40±2°C Humidity: 90~95% Duration:168H	PROGRAM CONTROLLED TEMP. & HUMIDTY CHAMBER	No physical damage	Pass	Pass	Pass	Pass	Pass	P	
2	Heat test	Temperature: 70±2°C Duration:168H	OVEN	No physical damage	Pass	Pass	Pass	Pass	Pass	P	

1		2		3		4		5		6		7		8	
NO.	PART NO.	NAME	MATERIAL	COLOR	QTY	LET	DESCRIPTION	REVISIONS	DATE	DATE	DATE	DATE	DATE	DATE	DATE
1	AGP-C4013000	USB A/F 媒体1A 6P+4.2MM 80(GEM80)	Copper Alloy/SPCC		1PCS										
2	AGP-10000000	USB A/F 媒体1A 6P/8S	PBT		1PCS										
3	AGP-20000000	USB A/F 90° DIP端子(2.525MM)	Copper Alloy		4PCS										

NOTES:

1. MATERIAL SPECIFICATION
- 1) INSULATION MATERIAL THERMOPLASTIC.
- 2) SHELL: COPPER ALLOY/SPCC, T: 0.30mm
- PLATING: NICKEL
- 3) TERMINAL: COPPER ALLOY, T: 0.25mm
- PLATING: GOLD/TIN PLATED.
2. ELECTRICAL CHARACTERISTIC:
- 1) INSULATION RESISTANCE: 1000MΩ MIN.
- 2) CONTACT RESISTANCE: 30mΩ MAX.
- 3) WITHSTANDING VOLTAGE: 500V AC.
3. MECHANICAL CHARACTERISTICS:
- 1) INSERTION FORCE: 3.57kgf MAX.
- 2) EXTRACTION FORCE: 1.02kgf MIN.

ORDERING INFORMATION



TOLERANCE				
	I	II	III	IV
A	±0.20	±0.10	±0.05	±0.03
B	±0.50	±0.20	±0.10	±0.05
C				

MATERIAL:	UNIT:	THIRD ANGLE
SURFACES:	SCALE:	
KEY:	KEY:	

首韩 SHOUHAN
深圳市首韩科技有限公司

DRAWING BY	Brand/Model:
李春风	10.0 0716.3(10.0全脚卷边
CHECK BY	PART NAME:
刘学	6.3
APPROVED	DRAWING NO.
罗孝金	
DATE:	USER'S OR TOOLING NO.

X-ON Electronics

Largest Supplier of Electrical and Electronic Components

Click to view similar products for [USB Connectors](#) category:

Click to view products by [SHOU](#) manufacturer:

Other Similar products are found below :

[10033527-N3112MLF](#) [17-210561](#) [GMCB05B11124H1EU](#) [17-200931](#) [65-647-8-BK-BU](#) [690-010-295-484](#) [73725-1191BLF](#) [950](#) [E8144-B01021-L](#) [A-USB A-LP-SMT-C](#) [A-USB B-TOP-C](#) [MUSBA511N5](#) [MUSBB15131](#) [MUSBC111M5](#) [MUSBD11135](#) [217450-1](#) [CA 6 W LD](#)
[896-30-004-00-000000](#) [KUSBVX-BS1N-W30](#) [KUSBX-AP-KIT-SCBLK](#) [KUSBX-AS2N-W](#) [KUSBX-SMT2AP1S-W](#) [KUSBX-SMTAS1NBTR](#) [KUSBX-SMTBS1NBTR](#) [30-498-6](#) [SK-60A-2](#) [17-200261](#) [17-210051](#) [1734082-1](#) [FK-37-32SL](#) [30-1574](#) [30-470](#) [30-489](#) [30-541](#) [30-572-3](#) [30-9503](#) [M9177/2-1](#) [MAB 5 S](#) [MIKROE-1451](#) [33UBBR-04SW11R](#) [USBFTV2PEM2G](#) [USBFTVC6ZN](#) [USBFTVSCCG](#)
[KUSBX-AS2N-W30](#) [KUSBX-SLAS1N-W](#) [KUSBX-SLAS1N-W30](#) [1-1734084-2](#) [E8110-001-01](#) [MUSBC11135](#) [NK-27-32SL](#)