



深圳市首韩科技有限公司

SHENZHEN SHOUHAN TECHNOLOGY CO., LTD

Tel: 0755-27597601 Fax: 0755-27597491

承 认 书

SPECIFICATION FOR APPROVAL

客 户 Customer:

产品名称 Project: 针座

规格型号 Part No: 1.25mm WT(卧贴WD) 位数通用

贵公司承认印 Approval signatures

料 号/Part No.	签 章/Signatures

日期 Date:

拟制/Drawn	李春风	
审核/Check	张栋	
批准/Approved	罗孝金	



产品规格书 PRODUCT SPECIFICATION

1. SCOPE [适用范围]

This specification covers the A1251 product series.

[本规范适用于 A1251 系列产品。]

2. Part name & part number [部件名称&部件编号]

Part name [部件名称]	Part number [部件编号]
Housing	A1251Y
Terminal	A1251T
Wafer (DIP)	A1251A、A1251AW
Wafer (SMT)	A1251AWV、A1251AWR

3. RATINGS [标准额定值]

Item [项目]	Standard [规格]	
Rated voltage [额定电压]	125 V	AC/DC
Rated current [额定电流]	1.0 A	
Operating temperature [使用温度范围]	-40°C ~ +85°C	

4. TEST CONDITION [试验条件]

The test and measurement, unless otherwise specified, shall be carryout at a temperature of 15 to 35°C , Relative humidity of 25 to 85% , and atmospheric pressure of 86 to 106kPa. However, when any doubt arises on the judgment value under it , the test and measurement shall be carryout at a temperature of 20±2°C , relative humidity of 60 to 70% , and atmospheric pressure of 86 to 106kPa. [除非特别说明之外, 一般试验及测量将于温度 15~35°C, 相对湿度 25~85%, 大气压力 86 ~106kPa 之条件下完成, 但若于上述条件下有任何影响判定值的疑虑, 可考虑在温度 20±2°C, 相对湿度 60~70%及大气压力 86~106kPa 之条件下完成试验。]

5. Appearance [外观]

By looking, there shall not be any abnormality such as deformity, exfoliation of plating, etc., which can reduce performance. No defect such as cracks scratches or blemishes. [经目视观察, 外观不可有变形, 电镀脱落等会降低其功能的异常现象, 也不可有严重破裂、刮伤或污损之缺点。]



产品规格书 PRODUCT SPECIFICATION

6. ELECTRICAL EFFICIENCY [电气特性]

No. [编号]	Item [项目]	Test Method [试验方法]	Requirement [性能要求]
6.1	Contact Resistance [接触电阻]	Mate connectors, load voltage: $6 \pm 1V$ DC 1A, the measured value should deduct the leader Eresistance value [测量时将连接器插合, 测量负载电压: $6 \pm 1V$ DC 1A, 测量时减去导线电阻值]	$55m\Omega$ Max.
6.2	Insulation Resistance [绝缘电阻]	Mate connectors, apply 500V DC between adjacent terminal or ground. [在插合连接器相邻接触件之间施加 500V DC 电压进行测试]	$100M\Omega$ Min.
6.3	Withstanding Voltage [耐电压]	Mate connectors, apply 250V AC for 1 minute Between adjacent terminal or ground. [在各相邻接触件间施加 250V AC 之电压持续 1 分钟]	No damage [不可破坏]

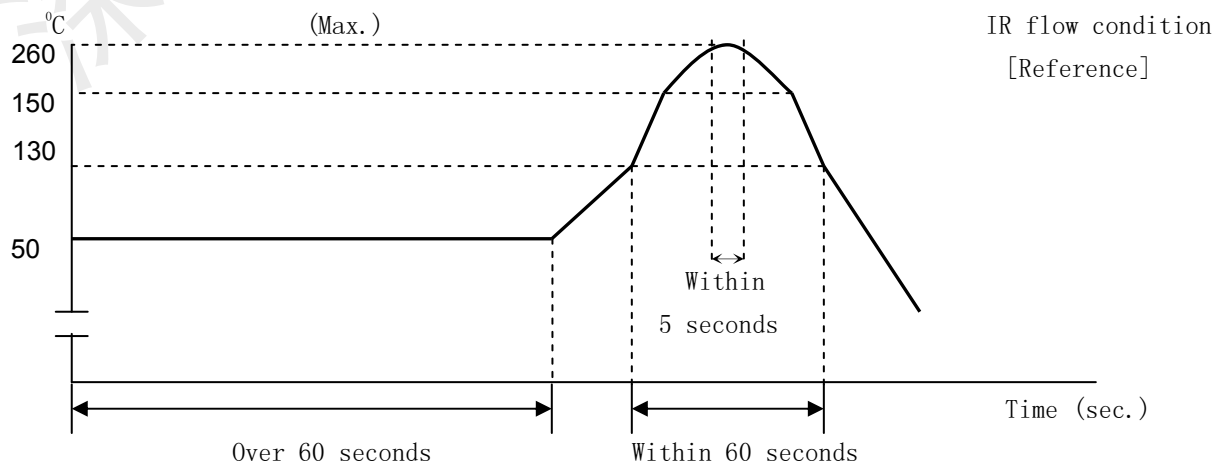
7. ENVIRONMENTAL EFFICIENCY [环境特性]

No. [编号]	Item [项目]	Test Method [试验方法]	Requirement [性能要求]	
7.1	Heat Resistance [耐热试验]	Mated connector shall be placed in an environmental for 96hours at $+85 \pm 2^{\circ}C$. [将插合的连接器放在温度为 $+85 \pm 2^{\circ}C$ 的环境中 96 小时]	Appearance [外观]	No damage [不可破坏]
			Contact Resistance [接触阻抗]	$30m\Omega$ Max.
7.2	Cold Resistance [耐冷试验]	mated connector shall be placed in an environmental for 48 hours at $-25 \pm 3^{\circ}C$ [将插合的连接器放在温度为 $-25 \pm 3^{\circ}C$ 的环境中 48 小时]	Appearance [外观]	No damage [不可破坏]
			Contact Resistance [接触阻抗]	$30m\Omega$ Max.
7.3	Humidity [耐湿性试验]	Mate connectors, $40 \pm 2^{\circ}C$ in temperature and 90~95%RH in an environmental for 96 hours. After testing connector shall be left alonefor 1 to 2 hours in a room ambient. [将插合的连接器, 温度 $40 \pm 2^{\circ}C$, 相对湿度 90~96% 的环境中, 持续 96 小时。经试验后, 连接器须于室温中放置 1~2 小时, 再测定其值。]	Appearance [外观]	No damage [不可破坏]
			Insulation Resistance [绝缘电阻]	$50M\Omega$ Max.
			Withstanding Voltage [耐电压]	200V AC/minute MIN



产品规格书 PRODUCT SPECIFICATION

7.4	Temperature Cycling [温度循环]	low temperature: $-25 \pm 3^{\circ}\text{C}$ high temperature: $+85 \pm 3^{\circ}\text{C}$ After 5 cycles at the normal environment for testing after 2 hours [低温: $-25 \pm 3^{\circ}\text{C}$ [高温: $+85 \pm 3^{\circ}\text{C}$ [5次循环后放置在正常环境中恢复2小时后进行测试]	Appearance [外观]	No damage [不可破坏]
			Contact Resistance [接触阻抗]	30mΩ Max.
7.5	Salt spray [盐雾试验]	Salt concentration: 5%/Temperature: $35 \pm 2^{\circ}\text{C}$ Testing time: 24 ± 2 hours, After salt is removed by running water and a drop is removed, it is measured. [盐水比重: 5% / 温度: $35 \pm 2^{\circ}\text{C}$ [试验时间: 24 ± 2 小时, 试验结束后用清水将残留盐份清洗并将水滴清除后, 才可测量。]	Appearance [外观]	No damage [不可破坏]
			Contact Resistance [接触阻抗]	30mΩ Max.
7.6	Solderability [可焊性试验]	Soldering time: 2.5 ± 0.5 S Solder Temperature: $260 \pm 5^{\circ}\text{C}$ [焊锡时间: 2.5 ± 0.5 秒] [焊锡温度: $260 \pm 5^{\circ}\text{C}$	95% min. of solder area [焊锡面积 $\geq 95\%$]	
7.7	Resistance to soldering heat [耐焊性]	Place the connector on the P.C.Board, then immerse the solder pin up to the surface of the board in the solder bath at $260^{\circ}\text{C} \pm 5^{\circ}\text{C}$ for 5 ± 1 S. [将连接器置于PCB板上, 然后将露出PCB板表面的Pin脚部分浸入 $260^{\circ}\text{C} \pm 5^{\circ}\text{C}$ 的锡炉中 5 ± 1 秒。]	Without deformation of ease or excessive lossen. [塑胶不得有明显的变形或损坏]	





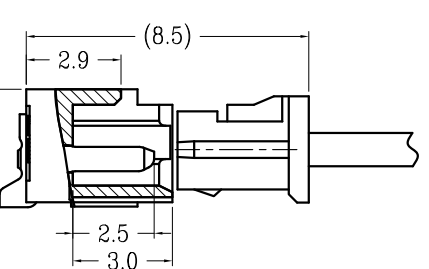
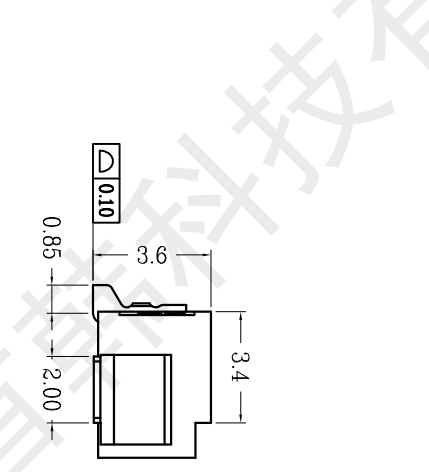
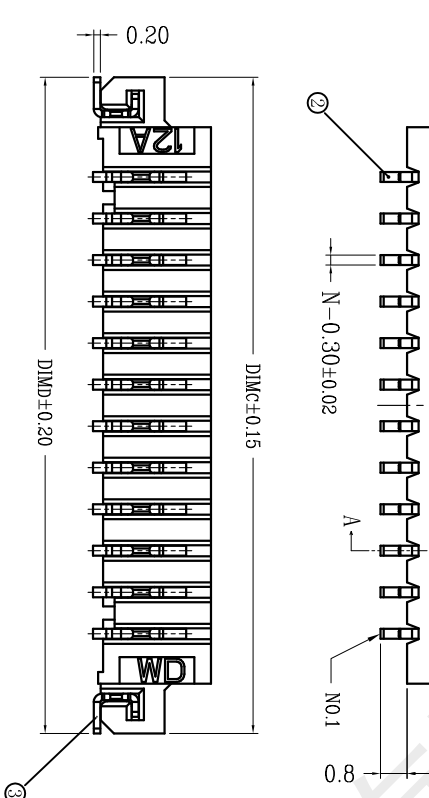
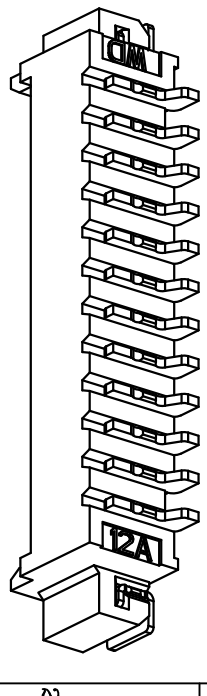
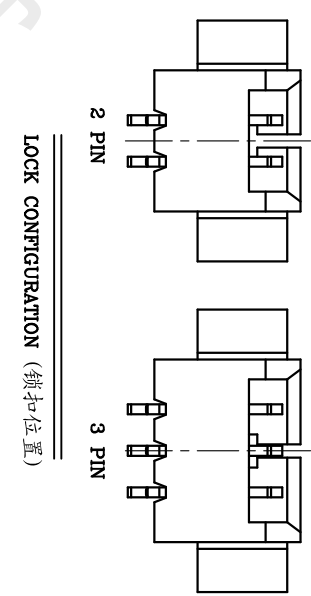
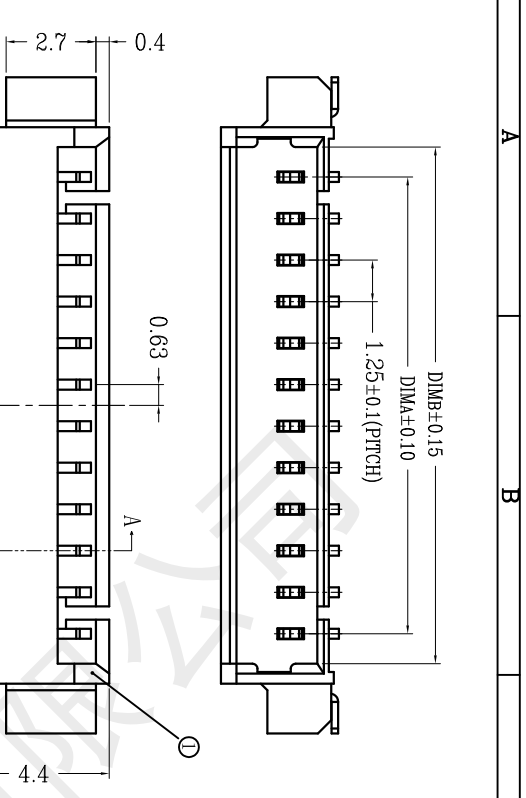
产品规格书 PRODUCT SPECIFICATION

8. MECHANICAL EFFICIENCY [机械特性]

No. [编号]	Item [项目]	Test Method [试验方法]	Requirement [性能要求]																																																											
8.1	Pin retention force [PIN 针固定力]	Fixed the wafer of the connector , then apply thrust at a speed $\leq 10N/S$ push force the single contact of the connector; push the contact out of the wafer. [固定连接器基座, 在连接器单一接触件轴线方向上施加推力, 施力速率 $\leq 10N/S$, 将接触件从基座中推出]	7N Min. Only per PIN [单一 PIN 针]																																																											
8.2	Terminal retention Force [端子保持力]	Fix the dynamometer 150mm away from the wire of the connection, then apply axial pull out force at a speed $\leq 10N/S$ on the terminal assembled in the housing. [将测力计固定在距离连接导线 150mm 处, 在连接器轴线方向施加拉力. 施力速率 $\leq 10N/S$, 将端子从孔座中拉出]	7N Min. Only per terminal [单一端子]																																																											
8.3	Mechanical Life [机械寿命]	Connectors shall be subjected to 50 cycle of Insertion and Withdrawal. (Speed:100mm/minute) 1、[连接器必须承受 50 次的插拔循环] 2、[测试速度: 100mm/分种]	Contact Resistance [接触阻抗]	30m Ω Max.																																																										
8.4	Insertion force (I. F.) & withdrawal force (W. F.) [插入力 & 拔出力]	<p>(1) Test method [试验方法]: Housing with crimped terminal and wafer shall be mated and unmated on the same axis. For the measurement of single circuit , housing lock shall be removed. (Speed:20\pm5mm/minute) [将孔座和端子配合好, 与针座在同一轴线上进行插拔测试, 测试时须将孔座锁扣去掉 (测试速度: 20\pm5 mm/minute)]</p> <p>(2) Requirement [性能要求]: (UNITS: N)</p> <table border="1"> <thead> <tr> <th rowspan="2">Number of circuits</th> <th colspan="2">At initial</th> <th rowspan="2">Number of circuits</th> <th colspan="2">At initial</th> </tr> <tr> <th>I. F. (max)</th> <th>W. F. (min)</th> <th>I. F. (max)</th> <th>W. F. (min)</th> </tr> </thead> <tbody> <tr> <td>single</td> <td>3.00</td> <td>0.60</td> <td>9</td> <td>37.00</td> <td>8.20</td> </tr> <tr> <td>2</td> <td>16.00</td> <td>4.00</td> <td>10</td> <td>40.00</td> <td>8.80</td> </tr> <tr> <td>3</td> <td>19.00</td> <td>4.60</td> <td>11</td> <td>43.00</td> <td>9.40</td> </tr> <tr> <td>4</td> <td>22.00</td> <td>5.20</td> <td>12</td> <td>46.00</td> <td>10.00</td> </tr> <tr> <td>5</td> <td>25.00</td> <td>5.80</td> <td>13</td> <td>49.00</td> <td>10.60</td> </tr> <tr> <td>6</td> <td>28.00</td> <td>6.40</td> <td>14</td> <td>52.00</td> <td>11.20</td> </tr> <tr> <td>7</td> <td>31.00</td> <td>7.00</td> <td>15</td> <td>55.00</td> <td>11.80</td> </tr> <tr> <td>8</td> <td>34.00</td> <td>7.60</td> <td>16</td> <td>58.00</td> <td>12.60</td> </tr> </tbody> </table>			Number of circuits	At initial		Number of circuits	At initial		I. F. (max)	W. F. (min)	I. F. (max)	W. F. (min)	single	3.00	0.60	9	37.00	8.20	2	16.00	4.00	10	40.00	8.80	3	19.00	4.60	11	43.00	9.40	4	22.00	5.20	12	46.00	10.00	5	25.00	5.80	13	49.00	10.60	6	28.00	6.40	14	52.00	11.20	7	31.00	7.00	15	55.00	11.80	8	34.00	7.60	16	58.00	12.60
Number of circuits	At initial		Number of circuits	At initial																																																										
	I. F. (max)	W. F. (min)		I. F. (max)	W. F. (min)																																																									
single	3.00	0.60	9	37.00	8.20																																																									
2	16.00	4.00	10	40.00	8.80																																																									
3	19.00	4.60	11	43.00	9.40																																																									
4	22.00	5.20	12	46.00	10.00																																																									
5	25.00	5.80	13	49.00	10.60																																																									
6	28.00	6.40	14	52.00	11.20																																																									
7	31.00	7.00	15	55.00	11.80																																																									
8	34.00	7.60	16	58.00	12.60																																																									

版次	变更摘要	日期	序号	品名	材质
0	新产品发行	2015/01/28	①	1.25 A型卧式WTB胶芯	LCP UL94V-0 本色
			②	1.25 A型卧式WTB端子	磷青铜/表面镀锡
			③	1.25 A型卧式WTB焊片	黄铜/表面镀锡

①	1.25 A型卧式WTB胶芯	LCP UL94V-0 本色
②	1.25 A型卧式WTB端子	磷青铜/表面镀锡
③	1.25 A型卧式WTB焊片	黄铜/表面镀锡



CKT	DIM A	DIM B	DIM C	DIM D
2	1.25	3.05	7.25	7.25
3	2.50	4.30	8.50	8.50
4	3.75	5.55	9.75	9.75
5	5.00	6.80	11.00	11.00
6	6.25	8.05	12.25	12.25
7	7.50	9.30	13.50	13.50
8	8.75	10.55	14.75	14.75
9	10.00	11.80	16.00	16.00
10	11.25	13.05	17.25	17.25
11	12.50	14.30	18.50	18.50
12	13.75	15.55	19.75	19.75
13	15.00	16.80	21.00	21.00
14	16.25	18.05	22.25	22.25
15	17.50	19.30	23.50	23.50
16	18.75	20.55	24.75	24.75
17	20.00	21.80	26.00	26.00
18	21.25	23.05	27.25	27.25
19	22.50	24.30	28.50	28.50
20	23.75	25.55	29.75	29.75

技术指标:

1. 塑件表面应光洁、无毛边、无明显收缩、缺陷、裂纹等现象。
2. 锁扣窗口: 2~3PIN为1个, ≥4PIN为2个。
3. 温度范围: -40° C~85° C。
4. 额定电压: 125V, AC。
5. 接触电阻: ≤55mΩ (Initial) per contact, ≤20mΩ Change allowed。
6. 绝缘电阻: ≥100MΩ。
7. 产品料号:

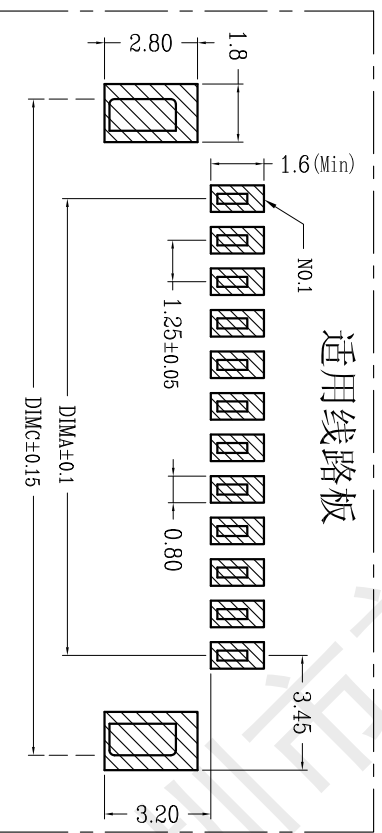
WT125AW*** **

NO OF CKT (产品PIN数) Packing (包装方式)

Plating (电镀方式) T: TUBE管装

0: 端子全雾锡 R: TAPE & REEL卷装
1: 端子全金(G/F OVERALL)
4: 端子全亮锡

适用线路板



首韩 SHOUHAN 深圳市首韩科技有限公司

品名 (TITLE) 针座 制图 (DRA) 李春风

料号 (DRAWNO) 1.25mm WT(卧式) 位数通用 审核 (APPD) 罗孝金

一般公差 (TOLERANCE)
X ±.50 XX ±.10
X ±.20 XXX ±.05
ANGLES ±°

比例 (SCALE) 1:1 单位 (UNITS) mm 张数 (SHEET) 1 Of 1 张核 (CHKD) 张栋 尺寸 (SIZE) A4 版次 (REV) A

X-ON Electronics

Largest Supplier of Electrical and Electronic Components

Click to view similar products for [Headers & Wire Housings](#) category:

Click to view products by [SHOU](#) manufacturer:

Other Similar products are found below :

[57102-F02-18ULF](#) [58102-G61-06LF](#) [582553-1](#) [009176003701906](#) [01.001.5753.1](#) [0050291907](#) [02.125.8002.8](#) [609-3404](#) [61062-3](#)
[CSU011177004](#) [622-0430](#) [622-3653LF](#) [63453-116](#) [636-1030](#) [636-1427](#) [636-3427](#) [636-4007](#) [641938-9](#) [65495-038](#) [65692-001LF](#) [65781-018](#)
[65781-047](#) [65817-010LF](#) [65817-015LF](#) [66207-023LF](#) [67095-007LF](#) [67601157](#) [68631-112](#) [68645-018](#) [699319-000](#) [M90C108951C](#)
[70.362.1628.0](#) [70-4210](#) [70-4226B](#) [70-4853B](#) [707-5028](#) [71.350.2428.0](#) [71961-016LF](#) [733-134](#) [733-162](#) [754199-000](#) [760-3052](#) [80.063.4001.1](#)
[800-90-001-10-001000](#) [800-90-010-10-002000](#) [801-43-002-10-013000](#) [801-43-006-10-002000](#) [803-41-018-10-001000](#) [803-43-024-10-](#)
[001000](#) [803-93-012-10-001000](#)