



深圳市首韩科技有限公司

SHENZHEN SHOUHAN TECHNOLOGY CO., LTD

Tel: 0755-27597601 Fax: 0755-27597491

# 承 认 书

## SPECIFICATION FOR APPROVAL

客 户 Customer:

\_\_\_\_\_

产品名称 Project:

180度直脚卷边13.7

\_\_\_\_\_

规格型号 Part No:

AF 180°ZJB13.7

\_\_\_\_\_

### 贵公司承认印 Approval signatures

| 料 号/Part No. | 签 章/Signatures |
|--------------|----------------|
|              |                |

日期 Date:

|             |     |  |
|-------------|-----|--|
| 拟制/Drawn    | 李春风 |  |
| 审核/Check    | 张栋  |  |
| 批准/Approved | 罗孝金 |  |



深圳市首韩科技有限公司

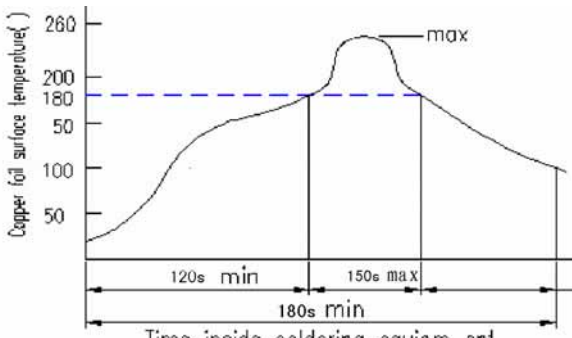
SHENZHEN SHOUHAN TECHNOLOGY CO., LTD

Tel: 0755-27597601 Fax: 0755-27597491

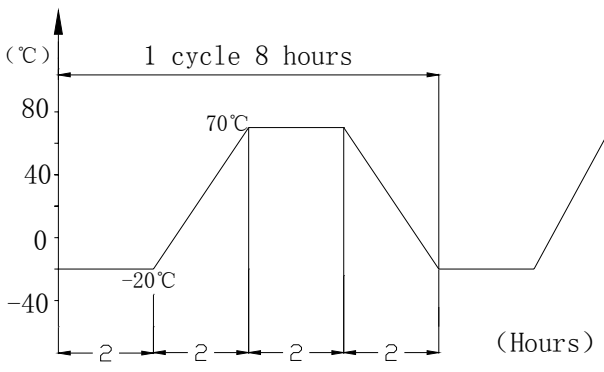
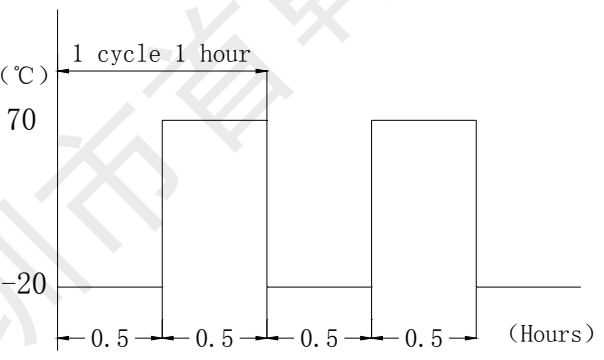
|  |  |  |     |  |
|--|--|--|-----|--|
| RATING (额定值):                            |  | DC   | 30V | 1.5A   |
| PRACTICAL TEMPERATURE RANGE<br>使用温度范围    | -25~85° C<br>在-25° C~+85° C 温度内使用  |  |     |  |
| STANDARD ATMOSPHEIC CONDITIONS<br>测试标准状况 | UNLESS OTHERWISE SPECIFIED<br>THE STANDARD RANGE OF ATMOSPHERIC CONDITIONS FOR MAKING MEASUREMENTS AND TESTS ARE AS FOLLOWS:<br>(1) BETWEEN BODY AND CONDUCTOR: 5° C TO 35° C<br>(2) BETWEEN CONDUCTORS NOT TO BE CONTACT: 45% TO 85%<br>(3) PRESSURE: 86Kpa TO 106Kpa<br>在没有指定的情况下测试温度、湿度、气压如下:<br>(1) 温度为 5° C~35° C<br>(2) 湿度为 45%~85%<br>(3) 气压为 86 Kpa~106Kpa |  |     |  |
| MECHANICAL (机械性能)                        |  |  |     |  |
| ITEM 项目                                  |  | TEST CONDITIONS 测试条件   |     | PERFORMANCE 规格   |
| 1  | CONNECTION FORCE<br>插入力度   | MEASUREMENT SHALL BE MADE AFTER CONNECTING AND DISCONNECTING USING STANDARD PLUG GAUGE 3 TIMES.<br>依据标准的 PLUG GAUGE 做第 3 次拔插后测定  |     | 40N  |
|  | DISCONNECTI ON FORCE<br>拔出力度   | MEASUREMENT SHALL BE MADE AFTER CONNECTING AND DISCONNECTING USING STANDARD PLUG GAUGE 3 TIMES.<br>依据标准的 PLUG GAUGE 做第 3 次拔插后测定  |     | 7N   |
| 2  | TERMINAL STRENGTH<br>端子强度  | A STATIC LOAD OF 0.1N/m(1kgf/cm)SHALL BE APPLIED TO THE TIP OF THE TERMINAL FOR 1 MIN IN ANY DIRECTION<br>向排脚先端的任意一个方向加 1 分钟 0.1N/m(1kgf/cm)的力度.   |     | THERE SHALL BE NO DAMAGE TO THE TERMINAL SUCH AS CRACKS, LOOSENESS OR PLAY ELECTRICAL ,AND MECHANICAL CHARACTERISTICS SHALL BE SATISFIED<br>在排脚中没有裂开、松动等异常, 满足于机械、电气性能 |
| ELECTRICAL (电气性能)                        |  |  |     |  |
| ITEM 项目                                  |  | TEST CONDITIONS 测试条件   |     | PERFORMANCE 规格   |
| 3.1                                      | CONTACT RESISTANCE<br>接触电阻   | MEASURED AT SMALL CURRENT (100m A OR LESS)<br>1000Hz<br>在微小电流 (100 m A) 以下测试   |     | 30m Ω  |
| 3.2                                      | INSULATION RESISTANCE<br>绝缘电阻  | APPLY A VOLTAGE OF 100V DC FOR 1 MIN TO FOLLOWING PORTIONS AFTER WHICH MEASUREMENT SHALL BE MADE:<br>(1) BETWEEN BODY AND CONDUCTOR<br>(2) BETWEEN CONDUCTORS NOT TO BE CONTACT<br>(3) BETWEEN CONDUCTORS NOT TO BE WHEN PLUG IS INSERTED DC100V 1 MIN<br>输入 100V DC 电压 1 分钟, 按以下接触方法测试:<br>(1) 插座体与排脚之间<br>(2) 不接触的排脚之间<br>(3) 插头插入时不接触排脚之间 |     | 1000M Ω  |

|     |                                    |   |  |
|-----|------------------------------------|---|--|
| 3.3 | <p>DIELECTRIC STRENGTH<br/>耐电压</p> | <p>AC 500V 5ms(50~60Hz) FOR 1 MIN TRIP CURRENT:0.5mA<br/>           (1) BETWEEN BODY AND CONDUCTOR<br/>           (2) BETWEEN CONDUCTORS NOT TO BE CONTACT<br/>           (3) BETWEEN CONDUCTORS NOT TO BE WHEN PLUG IS INSERTED DC 500V 1 MIN<br/>           输入 AC 500V (50Hz) /min 电压 1 分钟感度电流为 0.5mA, 按以下接触方法测试:<br/>           (1) 插座体与排脚之间<br/>           (2) 不接触的排脚之间<br/>           (3) 插头插入时不接触排脚之间</p> | <p>WITHOUT DAMAGE TO PARTS ARCING OR BREAKDOWN ETC<br/>没有绝缘破坏等异常</p> |
|-----|------------------------------------|---|--|

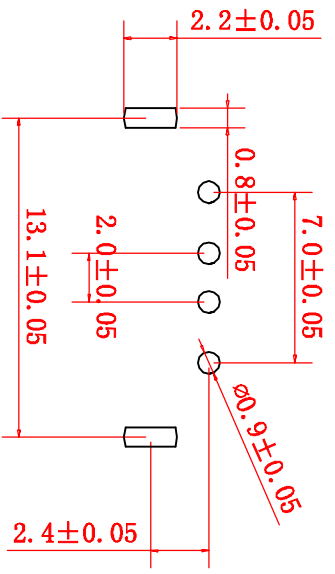
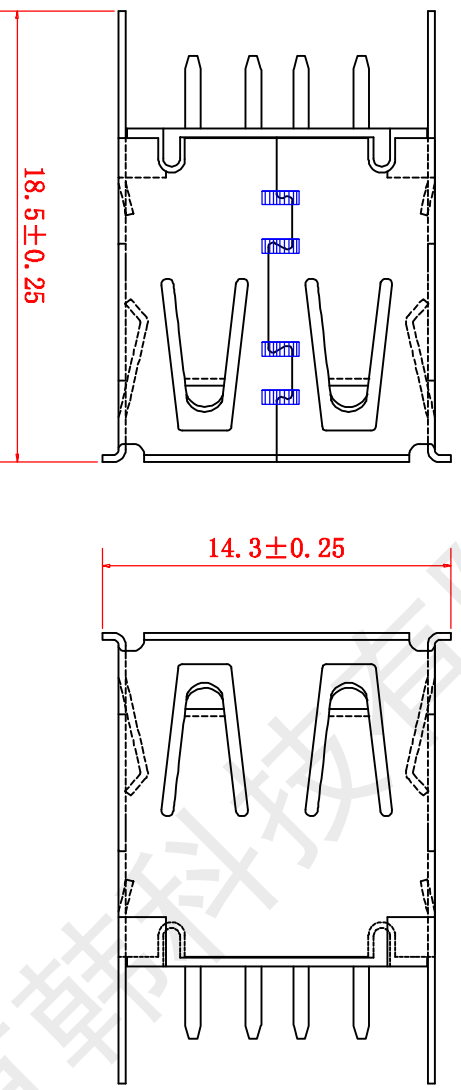
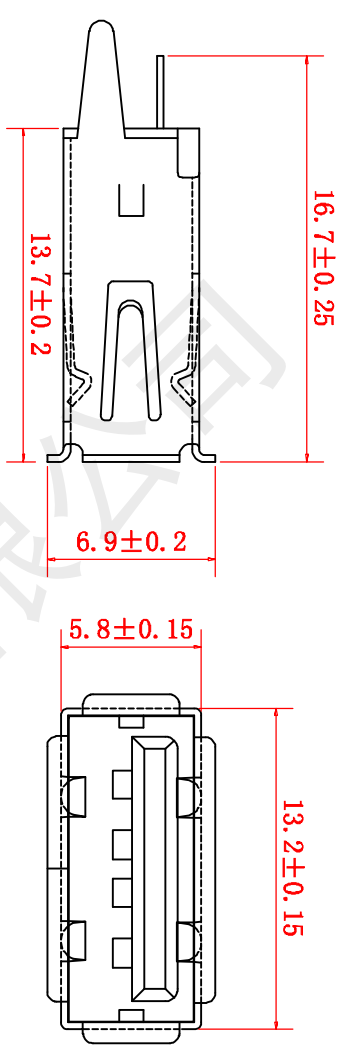
URABILITY (耐久性)

| ITEM 项目 | TEST CONDITIONS 测试条件  | PERFORMANCE 规格  |
|---------|---|---|
| 4.1     | <p>SOLDERABILITY TEST<br/>可焊性试验</p> <p>THE TOP OF THE TERMINALS SHALL BE DIPPED 1mm IN THE SOLDER BATH OF 250±5°C FOR 5±0.5 SECONDS<br/>           端子顶部被浸入锡池中 1mm 深,温度为 250±5°C,时间为 5±0.5 秒</p>   | <p>(1) SOLDER WETTING TIME SHALL BE 3 SEC OR LESS<br/>焊接时间应少于 3 秒<br/>           (2) THE AREA OF SOLDERING SHOULD BE OVER 75%<br/>焊接面积应有 75% 以上</p>   |
| 4.2     | <p>RESISTANCE TO SOLDERING HEAT TEST<br/>耐焊性试验</p> <p>REFLOW SOLDERING CONDITIONS:<br/>           PREHEAT:TEMPERATURE ON THE COPPER FOIL SURFACE SHOULD REACH 180 .120S AFTER THE P.C.B ENTERED INTO THE SOLDERING EQUIPMENT.<br/>           TALLEST TEMPERATURE:TEMPERATURE ON THE COPPER FOIL SURFACE SHOULD REACH THE PEAK TEMPERATURE OF 260±5 WITH IN 20 SECONDS.<br/>           过回流焊条件:<br/>           预热:电镀层表面的温度应达到 180°C,120s 后电路板进入回流焊设备。<br/>           最高温度:电镀层表面温度最高为 260±5°C且停留不超过 20 秒。</p>  <p>Temperature Profile</p> | <p>WITHOUT DEFOR MATION OF CASE OR EXCESSIVE LOOSENESS OF TEMINALS ELECTRICAL CHARACTERISTICS SHALL BE SATISFIED<br/>           本体无变形, 满足于机械、电气性能</p> |

|      |  |  |  |
|------|--|--|--|
| 4. 2 | RESISTANCE TO SOLDERING HEAT TEST<br>耐焊性试验 | SOLDERING IRON METHOD:<br>BIT TEMPERATURE 330±5℃ APPLICATION TIME OF SOLDERING IRON 3±0.5 SEC<br>HOWEVER EXCESSIVE PRESSURE SHALL NOT BE APPLIED TO THE TERMINAL<br>手焊接的时候温度需控制在 330±5℃，时间为 3±0.5 秒，但不能在排脚上施加异常压力。   | WITHOUT DEFORMATION OF CASE OR EXCESSIVE LOOSENESS OF TERMINALS ELECTRICAL CHARACTERISTICS SHALL BE SATISFIED<br>本体无变形，满足于机械、电气性能  |
| 4. 3 | HUMIDITY TEST<br>潮湿试验                      | THE JACK SHALL BE STORED AT A TEMPERATURE OF 40±2℃ AND A HUMIDITY OF 90% TO 96% FOR 96 Hr. THEN THE JACK SHALL BE MAINTAINED AT STANDARD ATMOSPHERIC CONDITION FOR 1 Hr FOR OTHER PROCEDURES<br>放置 40±2℃ 的相应湿度为 90~96% Hr 环境中 96 小时后，再将样板放在正常环境中 1 小时后进行测试   | THERE SHALL BE NO DAMAGE ON APPEARANCE.<br>MECHANICAL AND ELECTRICAL CHARACTERISTICS SHALL BE SATISFIED<br>外观无异常，满足于机械、电气性能。   |
| 4.4  | HEAT TEST<br>耐热试验                          | THE JACK SHALL BE STORED AT A TEMPERATURE OF 70±2℃ FOR 96 HOURS, AND THEN IT SHALL BE SUBJECTED TO THE CONTROLLED RECOVERY MBASURBM<br>放置在温度 70±2℃ 中测试 96 小时后，再放置正常室温中 1 小时来测定   |  |
| 4. 5 | COLD TEST<br>耐寒试验                          | THE JACK SHALL BE STORED AT A TEMPERATURE OF -25±3℃ FOR 96 HOURS AND THEN IT SHALL BE SUBJECTED TO THE CONTROLLED RECOVERY CONDITIONS FOR 1 HOUR AFTER WHICH<br>放置在温度 -25±3℃ 中 96 小时后，再放置常温常湿中 1 小时来测定   | THERE SHALL BE NO DAMAGE ON APPEARANCE<br>MECHANICAL AND ELECTRICAL CHARACTERISTICS SHALL BE SATISFIED<br>外观无异常，满足于机械、电气性能   |
| 4. 6 | LIFE TEST<br>寿命试验                          | WITHOUT LOAD<br>CONNECTION AND DISCONNECTION SHALL BE MADE WITH THE MATING PLUGS AND JACKS FOR 5, 000 CYCLES AT A SPEED OF 10 TO 25 CYCLES/MIN<br>无负荷<br>将结合了的标准 Plug(尽量要近于中心的)在 1 分钟内以 10~25 的速度，进行 5000 次插入，拔出<br>LOAD:<br>AT RATING CONDITION (NON-INDUCTIVE LOAD)<br>CONNECTION AND DISCONNECTION SHALL BE MADE 5,000 CYCLES AT A SPEED 10 TO 20 CYCLES / MIN<br>负荷<br>以定格状态(无诱导负荷)在 1 分钟内以 10~20 次的速度进行 | (1) CONTACT RESISTANCE SHALL BE ≤ 0.1 Ω<br>(2) DISCONNECTION FORCE SHALL BE 0.8 TO 2.0N<br>(3) MECHANICAL AND ELECTRICAL CHARACTERISTICS SHALL BE SATISFIED<br>(1) 接触电阻 ≤ 0.1 Ω<br>(2) 拔出力是 7N<br>(3) 其它: 满足于机械、电气性能 |

|            |  |   |   |
|------------|--|---|---|
| <p>4.7</p> | <p>TEMPERATURE CYCLING TEST<br/>温度循环测试</p> | <p>THE JACK SHALL BE SUB JECTED TO 5 CYCLES OF THE FOLLOWING CONDITIONS SHOWED IN THE FIGURE,AND THEN SHALL RETURNED ALLOWED TO REMAIN IN ROOM AMBIENT CONDITION FOR 30 MINUTES<br/>将插座以下列条件作 5 个循环，然后放回室内环境 30 分钟</p> <p>Temp(°C)</p>  <p>(Hours)</p>       | <p>THERE SHALL BE NO DEFORMATION OR CRACKS IN MOLDED PART.<br/>INSERTION &amp; EXTRACTION FORCE:3 TO 20N<br/>CONTACT RESISTANCE:MAX.30M Ω<br/>INSULATION RESISTANCE: MIN.100 M Ω<br/>DIELECTRIC WITHSTANDING VOLTAGE: 100VAC/MIN(BETWEEN TERMINALS)</p> <p>产品不能变形与破裂<br/>插拔力: 3N 至 20N<br/>接触电阻: 最大 30m Ω<br/>绝缘电阻: 最小 100 M Ω<br/>绝缘耐压: 最小 100VAC (端子之间)</p> |
| <p>4.8</p> | <p>COLD&amp;HEAT SHOCK TEST<br/>冷热冲击测试</p> | <p>THE JACK SHALL BE SUBJECTED TO 5 CYCLES OF THE FOLLOWING CONDITIONS SHOWED IN THE FIGURE,AND THEN SHALL RETURNED AND ALLOWED TO REMAIN IN ROOM AMBIENT CONDITION FOR 30 MINUTES<br/>将插座以下列条件作 5 个循环，然后放回室内环境 30 分钟</p> <p>TEMP (°C)</p>  <p>(Hours)</p> | <p>THERE SHALL BE NO DEFORMATION OR CRACKS IN MOLDED PART.<br/>INSERTION &amp; EXTRACTION FORCE:3 TO 25N<br/>CONTACT RESISTANCE:MAX.30M Ω<br/>INSULATION RESISTANCE: MIN.100 M Ω<br/>DIELECTRIC WITHSTANDING VOLTAGE: 500VAC/MIN(BETWEEN TERMINALS)</p> <p>产品不能变形与破裂<br/>插拔力: 3N 至 25N<br/>接触电阻: 最大 30m Ω<br/>绝缘电阻: 最小 100 M Ω<br/>绝缘耐压: 最小 500VAC (端子之间)</p> |

|            |                      |            |
|------------|----------------------|------------|
| 目录<br>MAPX | 变更内容<br>MODIFICATION | 日期<br>DATE |
|------------|----------------------|------------|



**特性: Specifications:**

电气: Electrical:

1. 接触阻抗: Contact Resistance: 30 milliohms MAX

2. 耐电压: Dielectric With Standing Voltage: 500 V AC AT Sea Level

3. 绝缘阻抗: Insulation Resistance: 1000 MEGA ohms MIN

**机构: Mechanical:**

1. 结合力: Mating Force: 40 N MAX 最大 40 N
2. 拔出力: Unmating Force: 7 N MIN 最少 7 N

**材料: Material:**

1. 塑胶: PBT.
2. 端子: Contact: C2680
3. 外壳: Shell: SPCC

**电镀: Finish:**

1. 端子: Contact: Plated Gold in Mating Area: Tin/Lead On Solder Talls. 接触点镀金, 脚镀锡
2. 外壳: Shell: Nickel Plating . 镀镍

**公差表**  
TOLERANCE UNLESS OTHERWISE

|    |        |     |     |
|----|--------|-----|-----|
| X  | ±0.30  | X'  | ±G' |
| X  | ± 0.25 | X'' | ±3  |
| XX | ± 0.20 | XX' | ±2  |

未标注的公差按一般标准计算



**深圳市首韩科技有限公司**

|             |            |               |     |                          |                |
|-------------|------------|---------------|-----|--------------------------|----------------|
| 单位<br>UNITS | MM         | 制图<br>DRAWING | 李春风 | 客户料号<br>PRODUCT PART NO. |                |
| 比例<br>SCALE | 1:1        | 审核<br>CHKD    | 张栋  | 产品名称<br>PRODUCT NAME     | AF180度直脚卷边13.7 |
| 日期<br>DATE  | 2014/04/23 | 核准<br>APPD    | 罗孝金 | 角法<br>VIB                |                |
|             |            |               |     | 版本<br>VER                | A0             |

**PCB LAYOUT**

## X-ON Electronics

Largest Supplier of Electrical and Electronic Components

*Click to view similar products for [USB Connectors](#) category:*

*Click to view products by [SHOU](#) manufacturer:*

Other Similar products are found below :

[10033527-N3112MLF](#) [17-210561](#) [GMCB05B11124H1EU](#) [17-200931](#) [65-647-8-BK-BU](#) [690-010-295-484](#) [73725-1191BLF](#) [950](#) [E8144-B01021-L](#) [A-USB A-LP-SMT-C](#) [A-USB B-TOP-C](#) [MUSBA511N5](#) [MUSBB15131](#) [MUSBC111M5](#) [MUSBD11135](#) [217450-1](#) [CA 6 W LD](#) [896-30-004-00-000000](#) [KUSBVX-BS1N-W30](#) [KUSBX-AP-KIT-SCBLK](#) [KUSBX-AS2N-W](#) [KUSBX-SMT2AP1S-W](#) [KUSBX-SMTAS1NBTR](#) [KUSBX-SMTBS1NBTR](#) [30-498-6](#) [SK-60A-2](#) [17-200261](#) [17-210051](#) [1734082-1](#) [FK-37-32SL](#) [30-1574](#) [30-470](#) [30-489](#) [30-541](#) [30-572-3](#) [30-9503](#) [M9177/2-1](#) [MAB 5 S](#) [MIKROE-1451](#) [33UBBR-04SW11R](#) [USBFTV2PEM2G](#) [USBFTVC6ZN](#) [USBFTVSCCG](#) [KUSBX-AS2N-W30](#) [KUSBX-SLAS1N-W](#) [KUSBX-SLAS1N-W30](#) [1-1734084-2](#) [E8110-001-01](#) [MUSBC11135](#) [NK-27-32SL](#)